

TOWN OF LABRADOR CITY  
INSTALLATION OF PLAYGROUND EQUIPMENT  
TLC-07-24

---

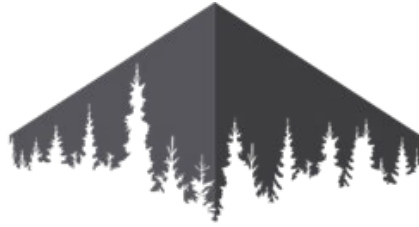
The following items shall be added to and form part of the specifications for the above referenced project.

**.1 Reference Specifications**

- .1 Revise Section 1.4.1 Owner Supplied Materials to read: The Owner will supply all materials to complete the installations including but not limited to:
  - .1 All playground structures including posts, bolts and fasteners.
  - .2 Granular materials required for site grading.
  - .3 Granular materials required for foundation subgrade.
  - .4 Concrete required for foundations.
  - .5 Steel required for approved stringer systems in standard 20' lengths.**
  
- .2 Revise Section 4.1.3 to read: Structure to be installed as per manufacturer instructions included in Appendix 2 **or Stringer System.**
  
- .3 Add Section 4.1.4 to read: Stringer System design shall be provided by the Bidder at Tender Closing and include the following items:
  - .1 Engineering Approval of design
  - .2 Stringer material type.
  - .3 Stringer material quantity to be provided.
  - .4 Stringer location plan.

---

Bidder Signature



**LABRADORCITY**

**Installation of Playground Equipment**

**TLC-07-24**

## Table of Contents

	Pages
Title Sheet	1
Form of Tender	1
Instruction to Bidders	4
Time and Materials Price Proposal Form	1
Specifications	9
Appendix 1	3
Appendix 2	113
Appendix 3	14
Appendix 4	17
Appendix 5	10
Appendix 6	8

**TOWN OF LABRADOR CITY**

**FORM OF TENDER TLC-07-24**

**INSTALLATION OF PLAYGROUND EQUIPMENT**

Tenderer \_\_\_\_\_

Address \_\_\_\_\_

Telephone # \_\_\_\_\_

The undersigned bidder has carefully examined the Form of Tender, Instructions to Bidders, and agrees to supply the system as per the attached specifications.

Labour Total	
Equipment Total	
Materials Total	
Other Expenses Total	
Grand Total	

The above quotation shall include all freight charges, F.O.B., Centennial Park, Labrador City, NL.

The tenderer, if awarded the contract, agrees begin work within \_\_\_\_\_ weeks following notification of award of the contract.

Authorized Signature: \_\_\_\_\_ Date: \_\_\_\_\_

Contact Name: \_\_\_\_\_ Fax # \_\_\_\_\_

Email Address: \_\_\_\_\_

## INSTRUCTIONS TO BIDDERS

### 1. TENDERS

- (a) Tenders shall be in a sealed envelope and clearly marked as per the following:

**“TENDER FOR: Installation of Playground Equipment**

addressed to the attention of the Town Clerk, Town Hall, P.O. Box 280, Labrador City, NL A2V 2K5.

**Include Bidders Name and Return Address on Envelope**

- (b) Tenders shall close at **3:00 p.m. local time**, Labrador City on:

**April 19<sup>th</sup>, 2024**

- (c) Before submitting a tender, tenderers shall carefully examine the tender documents and fully inform themselves of the contract requirements and existing conditions.
- (d) The Town will not defray any expenses incurred by the tenderers in the preparation and submission of their tenders.
- (e) Quotation shall be valid for acceptance for ninety (90) days from the tender closing date.
- (f) This tender is subject to the *Access to Information and Protection of Privacy Act, 2015*.
- (g) The financial value of this tender will be publicly released as part of the award notification.
- (h) If applicable, this tender is subject to trade agreements.

### 2. UNACCEPTABLE TENDERS

- (a) Tenders not submitted on the Tender Form provided will not be considered.
- (b) E-mail or facsimile tenders will not be accepted.
- (c) Tenders received after the tender closing time will not be considered.
- (d) Incomplete tenders will be rejected.
- (e) Tenders containing qualifications or additional clauses to the Tender Form may be rejected.

### 3. **SUBSTITUTIONS**

- (a) Tenders shall be based upon using the materials or products as specified without substitution. Where two or more brand names are specified, the choice shall be left to the successful bidder. Where only one brand name is stated, there shall be no substitution.
- (b) Where the specifications include the **OR APPROVED EQUAL** clause, substitutions may be proposed provided that:
  - (i) The request for substitution is made in writing at least seven (7) days prior to the tender closing date.
  - (ii) The request shall clearly define and describe the products for which the substitution is requested.
  - (iii) The substitution item is equivalent to the described item with regard to design, function, appearance, durability, operation and quality.
  - (iv) Approval of the substitution by the Town shall be in the form of an Addendum to the specifications issued to all the tenderers listed as having received a copy of the contract documents.

### 4. **ACCEPTANCE OF TENDERS**

- (a) The Town will not necessarily accept the lowest or any tender.
- (b) Upon acceptance of the tender, the Tender Form becomes part of the Contract Documents, and the successful tenderer becomes the Contractor.
- (c) Monthly payments shall be made in accordance with the contract as follows:
  - (i) Upon acceptance of all material or products, or upon substantial completion of the work.
  - (ii) Within thirty (30) days of receipt of the invoice by the Town.
- (d) The Town reserves the right to accept a non-compliant bid.

### 5. **PERSON TO CONTACT**

For further information contact Paula Bromley at the following telephone number **709-944-2137** or email address **engineer@labradorcity.ca**

**6. WORKERS COMPENSATION & INSURANCE**

The Contractor covenants with the Town that its employees shall be fully covered within Worker's Compensation Regulations, and the Company shall on request furnish to the Town satisfactory proof that its employees are fully covered under the Worker's Compensation Act.

Prior to performing work hereunder, the Company agrees to provide the Town with confirmation of full insurance coverage including, without restricting the generality of the foregoing, Comprehensive General Liability Insurance of at least two million dollars (\$2,000,000.) covering the equipment. The Company shall be required to add the Town Council of Labrador City to this insurance policy as a named insured. The Town shall require thirty (30) days written notice of any material change in or cancellation of the insurance policy.

**7. SAFETY**

The Town of Labrador City will strictly enforce safety requirements as per the Occupational Health & Safety Act. All items of safety apparel/equipment shall be the responsibility of the contractor.

**8. TAXES**

- (a) Business Tax – In accordance with the Municipalities Act, 1999 as amended, all businesses carrying on business in the municipality shall be charged an annual tax to be known as “the business tax”. All companies doing business in the Town of Labrador City who are not subject to a property tax payable to either the Town of Labrador City or the Town of Wabush or a place of business that cannot be assessed under the Assessment Act, shall be assessed as “no fixed place of business” and billed at the rate of 3% of gross revenue with a minimum of \$2,500 and a maximum of \$5,500 per calendar year.
- (b) The Town of Labrador City is subject to the Harmonized Sales Tax at the rate of 15%.
- (c) Above referenced tax shall be shown separately on all invoices presented to the Town of Labrador City for payment.

**9. COMPLETING THE FORM OF TENDER**

- (a) Bidders shall submit the summary price details on the Form of Tender
- (b) Details of the summary price shall be submitted using the attached Time and Materials Price Proposal form. Estimated quantities on the Time and Materials

Price Proposal Form are for tender evaluation purposes and payment will be based on actual quantities used.

- (c) Any questions during the tender stage can be directed to Paula Bromley at [engineer@labradorcity.ca](mailto:engineer@labradorcity.ca). The question and resulting answer may be distributed to all proponents in the form of amendments.
- (d) Deadline for questions will be April 10<sup>th</sup>, 2024 at 2:00 pm.

The sums herein tendered include all taxes, royalties, custom duties, foreign exchange charges, transportation, traveling costs, all overhead and profit, all co-ordination fees, insurance premiums and all other charges.



TIME AND MATERIALS PRICE PROPOSAL FORM

**TIME AND MATERIALS PRICE PROPOSAL FORM**

LABOUR	LABOUR DESCRIPTION	ESTIMATED QUANTITY	PRICE	HST	TOTAL
	LABOUR TOTAL				
EQUIPMENT	EQUIPMENT DESCRIPTION	ESTIMATED QUANTITY	PRICE	HST	TOTAL
	EQUIPMENT TOTAL				
MATERIALS	MATERIAL DESCRIPTION	ESTIMATED QUANTITY	PRICE	HST	TOTAL
	MATERIALS TOTAL				
OTHER EXPENSES	OTHER EXPENSES	ESTIMATED QUANTITY	PRICE	HST	TOTAL
	OTHER EXPENSES TOTAL				
TOTAL					

SPECIFICATIONS

## 1.0 SUMMARY OF WORK

### 1.1 Work Description

Work under this Contract comprises improvements and play structure upgrades at the Centennial Park in Labrador City, NL., which can be summarized as follows:

- .1 Installation of one (1) **UP20-71874 Inclusive Platinum** structure as manufactured by Little Tykes Commercial.
- .2 Installation of one (1) **High Five** structure as manufactured by Blue Imp.
- .3 Installation of one (1) **Wee Wonder** structure as manufactured by Blue Imp.
- .4 Installation of one (1) **Bouncing Buddy Bus** structure as manufactured by Blue Imp.
- .5 Installation of one (1) **Teeter Totter** structure as manufactured by Blue Imp.
- .6 Civil/site grading work relating to the installations.
- .7 The Work under this Contract will be substantially performed within 150 days from the date of notification of award of contract.

### 1.2 Contractor use of premises

- .1 Contractor's use of the site must be coordinated with the Owner's Representative to minimize disruption to the public park while enabling the work described in the documents to proceed expeditiously.
- .2 Coordinate use of the property under direction of Owner.
- .3 Contractor shall maintain the worksite in a neat and tidy condition.
- .4 Contractor shall erect and maintain safety enclosure around work site where required to protect the safety of the public.
- .5 Contractor shall pile unsuitable, excavated material resulting from site grading and installation of structures in an area for pick up coordinated with the Owner.

### 1.3 Owner Occupancy

- .1 The Property will be open to the Public during the entire construction period with adjustments made to normal operations to accommodate the timely execution of the work.
- .2 Cooperate with Owner in scheduling operations to minimize conflict and to facilitate Owner usage.
- .3 There shall be no work performed and the construction site shall be fully secured with the use of construction fence and/or barricades to facilitate Canada Day Celebrations at the park on July 1<sup>st</sup>.

#### **1.4 Owner Supplied Materials**

- .1 The Owner will supply all materials to complete the installations including but not limited to:
  - .1 All playground structures including posts, bolts and fasteners.
  - .2 Granular materials required for site grading.
  - .3 Granular materials required for foundation subgrade.
  - .4 Concrete required for foundations.
- .2 Any materials, including playground structure parts, that are not used shall be passed back to the Owner at the end of the installation.
- .3 The Owner will remove excess material/debris from the site resulting from site grading and installation of structures.

#### **1.5 Contractor Supplied Materials**

- .1 The Contractor shall supply all materials required to furnish the installation outside of the Owner Supplied Materials listed above.
- .2 The Contractor shall supply all tools and equipment required to perform the installation and site grading specified under this contract.
- .3 Contractor tools and equipment shall be in good working order, have no visible leaks, and have all manufacturer safety devices intact.

#### **1.6 Coordination of Deliveries**

- .1 The Contractor shall provide 72 hour notice to the Owner for delivery of owner supplied materials. Failure to provide notice may result in materials not being available for Contractor use. The Owner shall not be responsible for delays resulting from insufficient notice.

### **2.0 HEALTH AND SAFETY REQUIREMENTS**

- .1 Conduct operations in accordance with the latest edition of the Newfoundland Occupational Health and Safety (OH&S) Act and Regulations, with specific reference to codes and standards referenced therein, and the Department of Transportation and Works Occupational Health and Safety Manual.
- .2 Prior to the start of the project the Owner requires the following to be submitted to the Town Representative:
  - .1 Compliance Profile (History of subcontractor obtained from Service NL OH&S Division).
  - .2 Copy of Safety records.
  - .3 Copy of OH&S documents e.g. programs/safe work procedures, etc.

- .4 Copy of names and contact information of adequate supervision.
- .5 Copy of all accidents after job starts.
- .6 Copies of safety meetings once the job starts.
- .7 Copy of maintenance records of tools/equipment.
- .8 Copy of hazard assessment.
- .9 Copy of training certificates.
- .10 Copy of permits/utility clearances where required.
- .11 Emergency Plan (Strictly for Confined Space and working at height using fall protection) where required.
- .12 Copy of Letter of good standing.
- .13 Copy of Safe Work Practices.
- .14 Applicable standards and guidelines.
- .15 Copy of inspections once the work starts.
- .3 Conduct operations in a manner that will ensure, at all times, the safety of users of the park outside the work zone.

### **3.0 WARRANTY**

- .1 The Contractor shall provide a guarantee for a minimum of one (1) year for all materials and workmanship contained in this contract.
- .2 Any work providing defective within one year from the date of acceptance shall be made good within by the Contractor within a time agreed upon by the Contractor and the Owner.

### **4.0 SUBMITTALS**

- .1 Contractor shall submit a weekly report of Time and Materials used by Tuesday, 12pm of the following week to the Owner's representative. The Owner's representative will review weekly reports within 48 hours of submittal.
- .2 Any disputes arising from weekly reports of Time and Materials used shall be settled between the Owner's representative and the Contractor within 48 hours of the Owner's representative review.
- .3 Monthly invoices shall reflect the Time and Materials weekly reports.

### **4.0 INSTALLATION DETAILS**

4.1 UP20-71874 Inclusive Platinum Structure



Figure 1: UP20-71874 Inclusive Platinum

- .1 Structure to be installed at the location and orientation as indicated below in Figure 2 as indicated in drawing L-1 Concept Plan from Mills & Wright Centennial Park Master Plan March 2024 included in Appendix 1.



Figure 2: UP-20-71874 Inclusive Platinum Location and Orientation

- .2 Site grading at this location to conform to the site grading plan and section as indicated in drawings L-4 and L-5 from Mills & Wright Centennial Park Master Plan March 2024 and included in Appendix 1.
- .3 Structure to be installed as per manufacturer instructions included in Appendix 2.



4.2 High Five



Figure 3: High Five

- .1 Structure to be installed within Area 3 indicated on drawing L-1 Concept Plan from Mills & Wright, included in Appendix 1. Exact location and orientation of structure within Area 3 to be coordinated with Owner.
- .2 Site grading at this location to conform to the site grading plan and section as indicated in drawings L-4 and L-5 from Mills & Wright Centennial Park Master Plan March 2024 and included in Appendix 1.
- .3 Structure to be installed as per manufacturer instructions included in Appendix 3.

#### 4.3 Wee Wonder Structure



**Figure 4: Wee Wonder**

- .1 Structure to be installed in Area 5 as indicated on drawing L-1 Concept Plan from Mills & Wright included in Appendix 1.
- .2 Location, orientation, and grade of structure within Area 5 to be coordinated with Owner.
- .3 Structure to be installed as per manufacturer instructions included in Appendix 4.

#### 4.4 Bouncing Buddy Bus



Figure 5: Bouncing Buddy Bus

- .1 Structure to be installed in Area 5 as indicated on drawing L-1 Concept Plan from Mills & Wright included in Appendix 1.
- .2 Location, orientation, and grade of structure within Area 5 to be coordinated with Owner.
- .3 Structure to be installed as per manufacturer instructions included in Appendix 5.

4.5 Teeter Totter



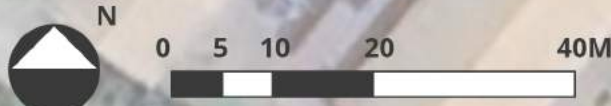
**Figure 6: Teeter Totter**

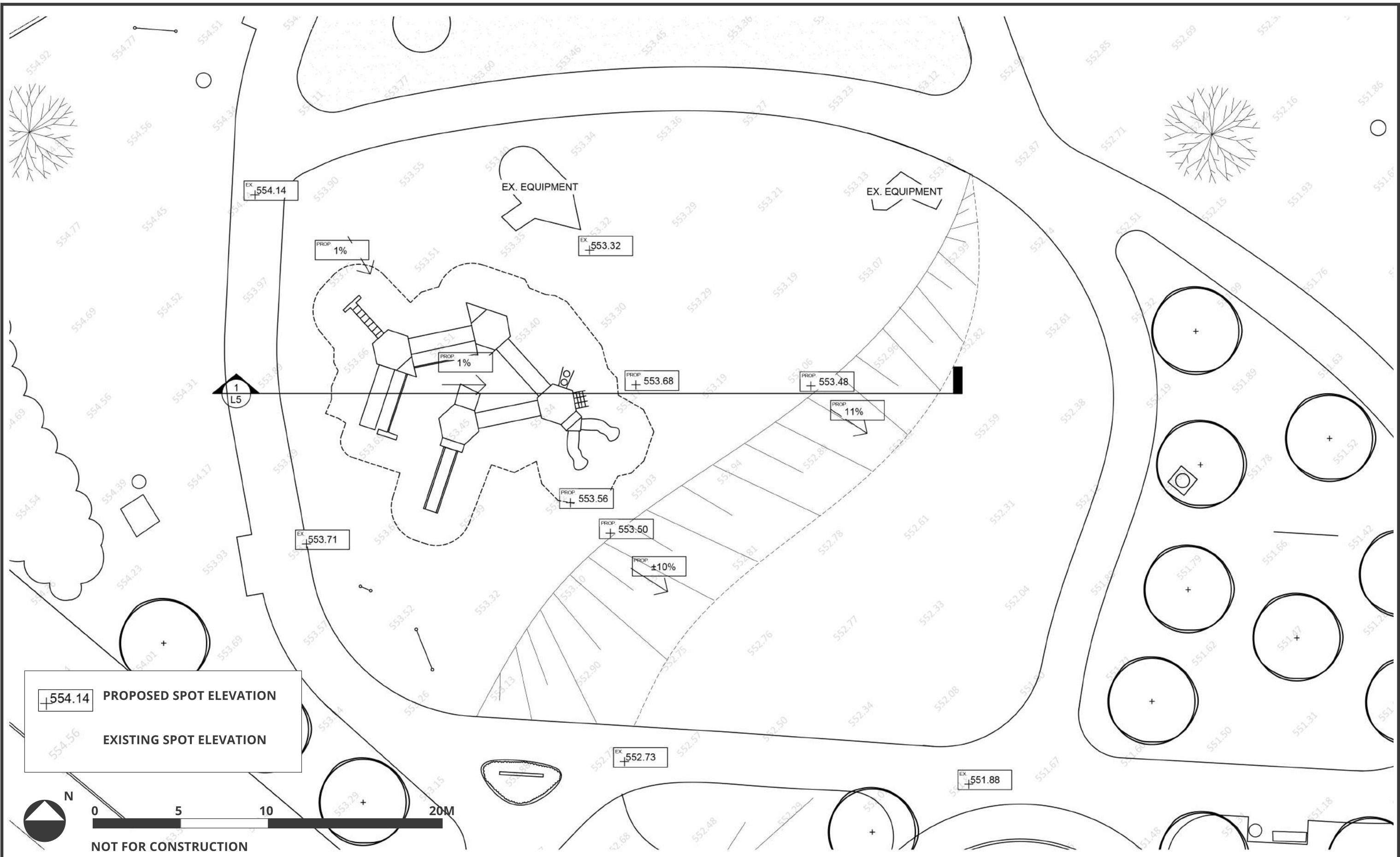
- 1 Structure to be installed in Area 5 as indicated on drawing L-1 Concept Plan from Mills & Wright included in Appendix 1.
- .2 Location, orientation, and grade of structure within Area 5 to be coordinated with Owner.
- .3 Structure to be installed as per manufacturer instructions included in Appendix 6.

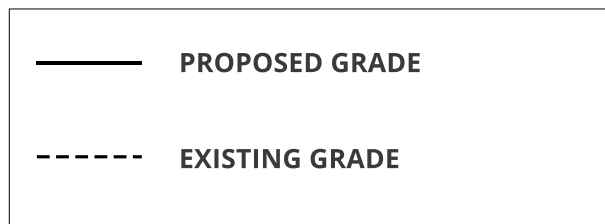
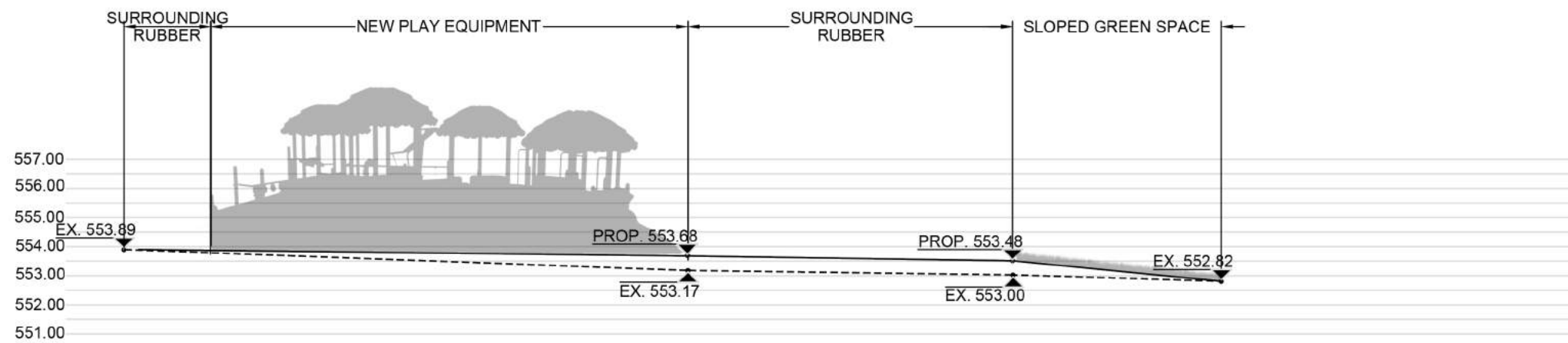
APPENDIX 1



LEGEND	
1	ASPHALT PARKING
2	MAIN ENTRANCE WITH SIGNAGE
3	RUBBER-SURFACING ACCESSIBLE PLAY
4	ACCESSIBLE PICNIC AREA
5	GRANULAR PLAY WITH EXISTING EQUIPMENT
6	GATED ENTRANCE TO PARK
7	WASHROOM/ CHANGE ROOM
8	SPLASHPAD WITH SHADED SEATING
9	OPEN LAWN SPACE
10	PICNIC AREA
11	MULTI-COURTS
12	TEEN AREA WITH GRAFFITI WALL/ LOUNGE AREA
13	HAMMOCKS
14	TEEN AREA PLAZA
15	EXISTING ACCESSIBLE EQUIPMENT TO REMAIN UNTIL END OF LIFE
	PROPOSED WALKWAYS
	EXISTING WALKWAYS







NOT FOR CONSTRUCTION



## APPENDIX 2



---

## UP20-71874 Platinum\_1

Product line: KidBuilders

Age group: 5yrs-12yrs

### Global defaults

CLIMBER COLOR	YELLOW
Entry Sld Clr F/Slide A	GREEN
Entry Sld Clr F/Slide B	GREEN
Exit Sld Clr F/Slide A	GREEN
Exit Sld Clr F/Slide B	GREEN
InfinityWing Blnk Pl Clr	YELLOW
InfinityWing Foot Pl Clr	GREEN
KB Accent Color	YELLOW
KB CLAMP	BLUE
KB Overhead Color	BLUE
KB Pnl/Crwl Tunnel Clr	BLUE
KB Roof Color	GREEN
KB Slide/Float Stone Clr	BLUE
KB Vinyl color	Gray
KB/Jeep Ground Cover	Buried
Kid Builder Post Color	BLUE
Laminated Panel	BLUE-YELLOW-BLUE
Plastic Steering Wheel	RED
Quan II Hood Clr (Slide A)	GREEN
Quan II Hood Clr (Slide B)	GREEN

Section 1 Sld Clr F/Slide A  
 Section 1 Sld Clr F/Slide B  
 Section 1 Sld Dir F/Slide A  
 Section 1 Sld Dir F/Slide B

GREEN  
 GREEN  
 Left Turn Slide Section  
 Right Turn Slide Section

## Components

Part Number	Description	Qty
200006949	DECK 1-STEP 205MM/8" KB	1
200006956	PLATE TRANSITION KB	1
200006959	BRACKET DECK TO POST KB	1
200007096	PANEL COUNTER KB	1
200007097	PANEL ADJUSTABLE COUNTER KB	2
200008193	TOOL BOX KID BUILDERS #2, S.S. (MM)	1
200013797	KB 10' POST PLUS GLV. W/ALUM.CAP	4
200013800	KB 136" POST PLUS GLV. W/ALUM.CAP	8
200013805	KB 8' POST PLUS GLV.W/ALUM.CAP	4
200013848	KB SGL RING TREK 12'	1
200013920	LOOP ASSY HAND-HOLD KB	2
200013924	LOOP ASSY SAFETY KB	6
200015483	KB 164" POST PLUS GLV. W/ALUM.CAP	5
200015486	KB 176" POST PLUS GLV. W/ALUM.CAP	18
200025141	PANEL SEVEN STATION PLAY FACTORY F/KB	1
200034346	LADDER RING CHALLENGE F/KB 3660	1
200058823	TALK TUBE KB	1
200084344	CHAIN NET KB 36"/915 W/SAFETY LOOPS	1
200095002	KB 915MM STONE CLIMBER	1
200200047	RAMP 3660 SMALL HOLEW/SAFE.RAILS KB	4
200200185	DECK BALCONY KB SMALL HOLE	1
200200187	KB DK/DK PLATE 8"/205MM (FACES)	1
200200188	KB DK/DK PLATE 12"/305MM (FACES)	2
200200285	DECK BALCONY F/WHL.CHAIR ACC.(SMALL HOL	1
200200504	PANEL REACH MELODY MAKER F/KB	1
200200530	KIT MAINTENANCE KB W/PAINT W/O LIST	1
200200687	POST PLUS 200" W/ALUM CAP F/KB	6
200200726	KB WEATHER GAME PNL ABOVE DK	1
200200785	KB MONKEY LEANOUT SEAT PANEL	1
200202280	KB CLOCK BRAILLE PANEL DKMT	1
200202320	INFINITY WING CLIMB POST MT 610MM (24")	5
200202321	INFINITY WING CLIMB POST MT 1220MM (48")	5
200202497	KB DECK HEX SMALL HOLE 11GA	4
200202504	KB DECK TRIANGLE SMALL HOLE 11GA	2
200202508	KB NOODLE ROOF HEX (6 SECTION)	4
200202549	KB TRANS STAT(DK W/LOOP)(SM HL)11GA	1
200202769	KB COMBO OVERHEAD 8'	1
200203301	KB 48" DOUBLE ENTRY QUANTUM II SLIDE	1
200203365	KB CLIMBER POMMEL 48" W/WIRE ENCL	1
200203386	ROLLER SLIDE OFF A 64" HIGH DECK FOR KB	1
200203469	NU-EDGE ROPE SCRAMBLE F/KB	1
200203470	KB ACTIVITY PANEL FRAME DKMT	1
200203474	ACTIVITY PANEL HYPNOTIZE INSERT	1
200203509	KB ELEV TRANSFER DECK W/RAILS	2
200203574	ASSY POST MT.PLAS.STEER.WHL.	1
200203577	ASSY RAIL MT.PLAS.STEER.WHL.	1
HW7704-1	HRDW PKG F/CLAMP ELIMINATION S1/1	2

## RiskSign\_Included

Product line: Park Service

Age group:

## Global defaults

RISK MGNT SIGN CLR

## Components

Part Number	Description	Qty
787Z	RISK MANAGEMENT SIGN - ENGLISH	1

## Additional Items

Part Number	Description	Qty
200111492	LABEL, IDENTIFICATION STAMPED W/RIVETS	4
200305597	14' LARGE CRATE (ASSY DOMESTIC)	5
925603	LABEL P/C (5 TO 12 YRS) PPLT	3
925960	THUMB DRIVE 2GB - PPLT	1
926020	LITTLE TIKES CARD F/THUMB DRIVE	1
INSTALL BOOK	INSTALL BOOK FOR PP ORDERS	1

**Totals:**

---

### NOTE:

\* Applicable sales taxes will be confirmed once order and any tax certificates are received

† Denotes drop ship item.

Unloading, storage, installation, surfacing and site work are not included unless specifically noted on quotation.

Not responsible for filter cloth, irrigation rerouting, grass damage, or checking for underground utilities.

If installation is quoted, it is assumed that the site has been prepared and that any grade slope in any direction does not exceed 2%. In the event that unexpected soil conditions, such as subsurface rock, are encountered during installation, additional costs to the customer will be applicable.

The acceptance signature below serves as authorization to order the items quoted and indicates acceptance of the prices listed. All terms are subject to credit approval.

### COMMENTS:

11/2/2022

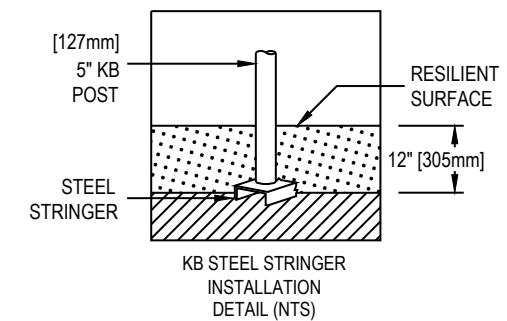
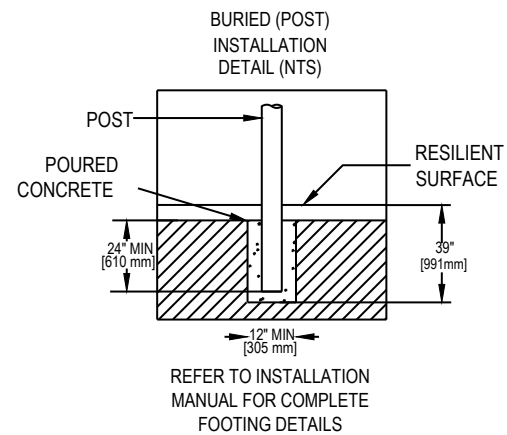
**General Notes:**

**Age Group**

18m-5yrs  5-12 yrs  18m-12yrs  13+ yrs

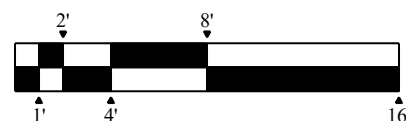
- 1.No-encroachment zone- that additional area adjacent to the protective surfacing zone intended to allow pedestrian traffic near the play equipment in use while minimizing the risk of injury to pedestrians. CSA-Z614
- 2.Although a particular playground design may not meet the proposed Access Board Regulation in regard to the appropriate number of ground level events, the actual playground may be in compliance when considering existing play components
- 3.All deck heights are measured from top of ground cover.
- 4.Fall absorbing ground cover is required under and around all play equipment.
- 5.The minimum recommended fall zone around the entire playstructure is shown. This zone is to be free of all tripping or collision hazards (i.e. roots, rocks, border material, etc.).
- 6.All post lengths are identified by text showing the post lengths, i.e. 96 represents a 96 inch post.
- 7.Not all equipment may be appropriate for all children. Supervision is required.

**Child Capacity:70**



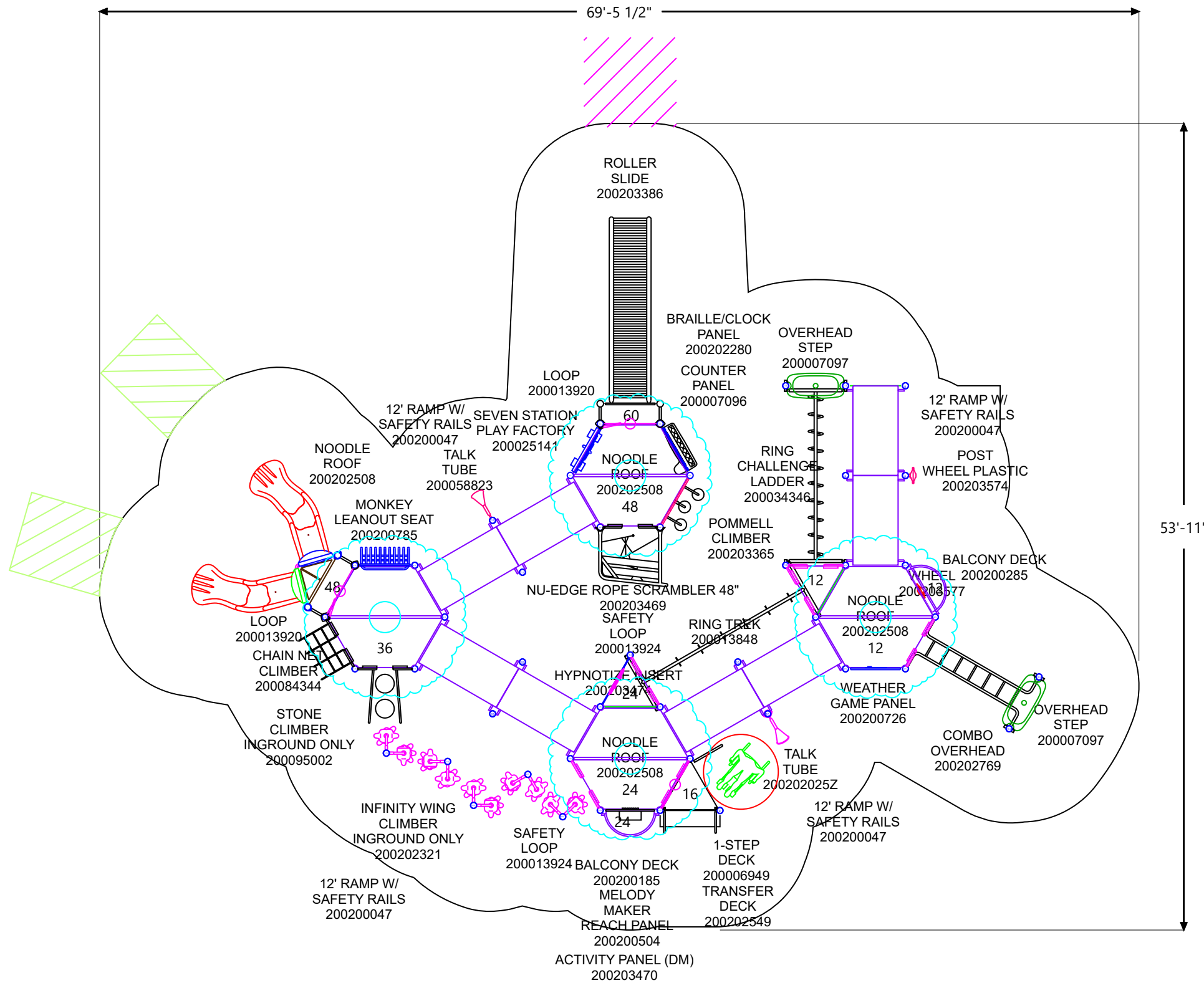
**Playground Layout Compliance:**

CSA-Z614 - Playground Equipment for Public Use.



The play components identified in this plan are IPEMA certified. The use and layout of these components conform to the requirements of CSA-Z614.

LEED points for this structure  
**1**



**Project:**  
UP20-71874  
Labrador City, NL  
**LTCPS rep:**  
Seth Pike  
Coastline Specialties Ltd.  
(709) 726-9155

**Ground Space:** 58'-0" x 41'-6"  
**Protective Area:** 69'-6" x 54'-0"

**Drawn by:** Seth Pike  
**Date:** 2021-10-07  
**DWG Name:** I0005\_44476606734

**LTCPS - Farmington**  
878 East Highway 60  
Monett, Missouri 65708  
**Voice:** 1-800-325-8828  
**Fax:** 417-354-2273

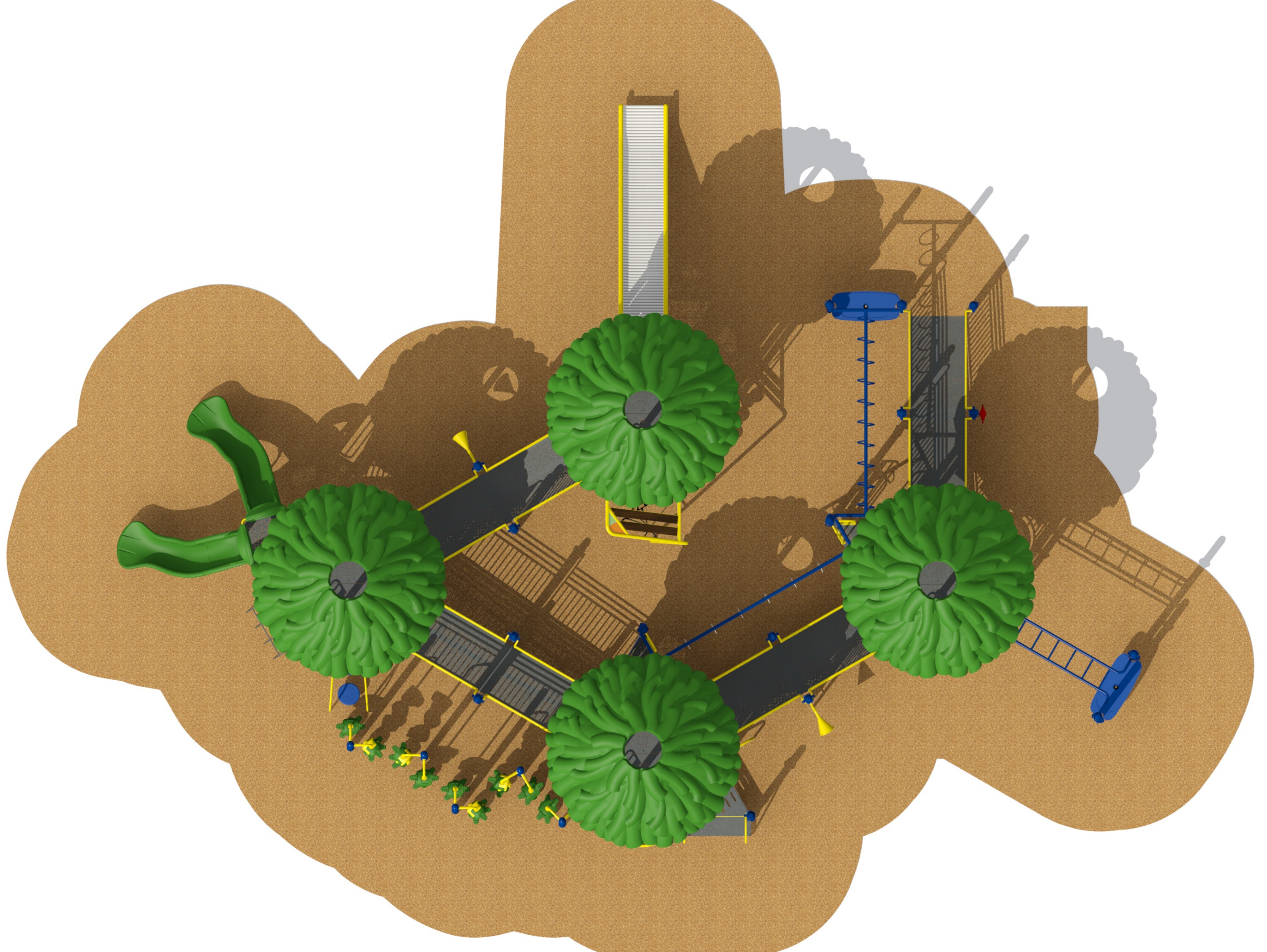














Project Number: I0005220213

PlayArea: UP20-71874 Platinum\_1 | KidBuilders

Project Name: Town of Labrador City

Project Location:

Sales Representative:

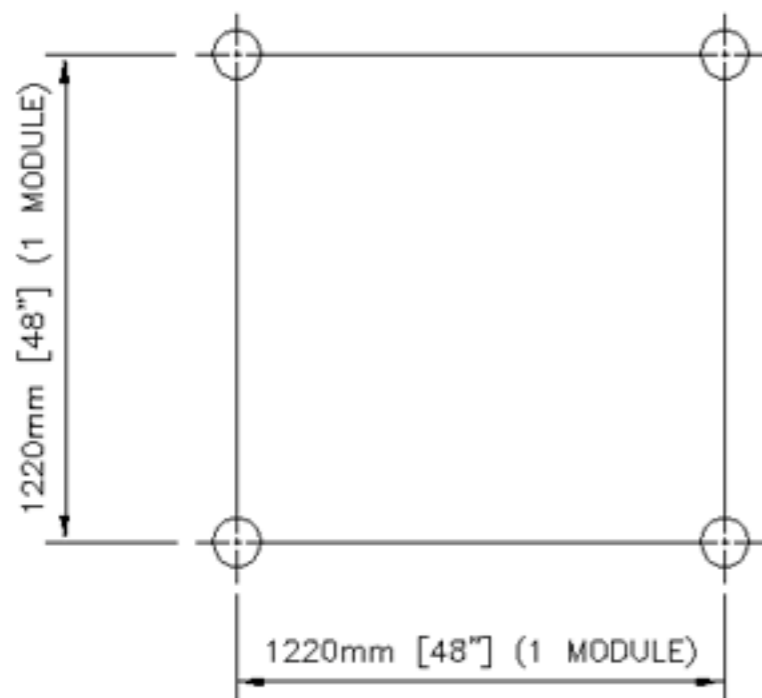
Coastline Specialties Ltd  
46 Robin Hood Bay Road  
St. John's, NL A1A 5V3  
(709) 726-9155

## Installation Instructions

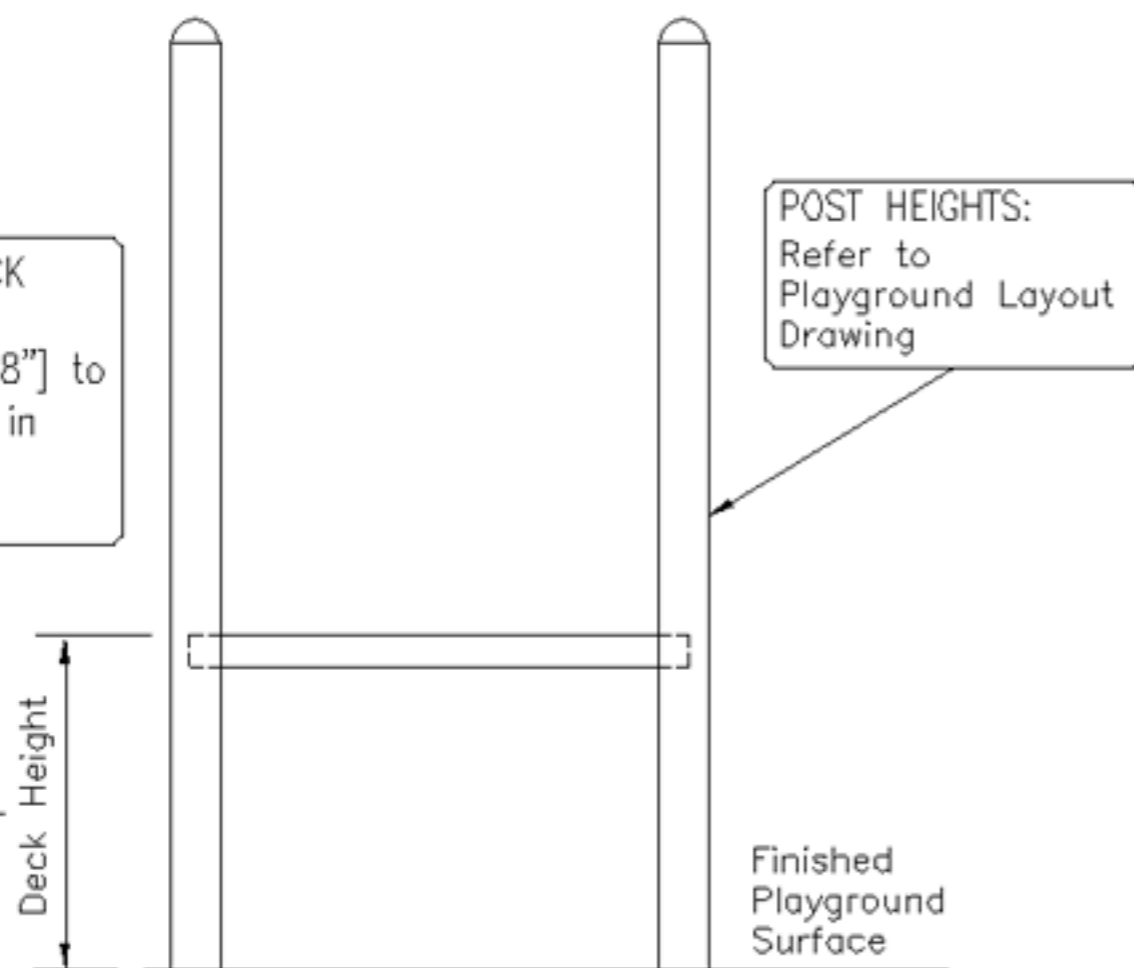
Please, read all information in this manual before starting to install your equipment.

Date: 2022-11-02 12:00:00 AM

Posts and decks of the Kid Builders system are based on a module of 1220mm [48"] x 1220mm [48"]



**STANDARD DECK HEIGHTS:**  
From 203mm[8"] to 2440mm[96"] in 203mm[8"] increments.



**NOTE: FOR UNDERSURFACING & FOOTINGS REFER TO SEPARATE INSTRUCTIONS**

BEFORE STARTING INSTALLATION OF YOUR KID BUILDERS PLAYGROUND, "PLEASE READ INSTRUCTIONS THOROUGHLY"

AUTHORIZED BY:  
*Chris M. [Signature]* 15MAR01

**SITE REQUIREMENTS:**

The Kid Builder system is designed to suit a level site. Should there be any falls or slopes on the site, care should be taken to accommodate the entry and exit points and to maintain the correct heights.

The site must be checked for adverse or unusual conditions. i.e.

- 1) Exposed, cracked or loose concrete footings.
- 2) Worn, scattered or compressed surface material.
- 3) Exposed roots, rocks or other environmental obstacles that form potential trip hazards.
- 4) Broken glass, refuse, or foreign objects around and on play equipment.
- 5) Poor drainage areas.
- 6) All sites especially those close to existing buildings must be checked for electrical or gas lines and drainage before digging.

**MAINTENANCE:**

As the owner, it is most important that you are aware of your responsibility for the safe use of your new play equipment. It is necessary to install equipment correctly according to the installation instructions provided and inspect the equipment regularly at intervals specified within the "Maintenance Manual," located in your maintenance kit. During inspection, if any part is found to be damaged or excessively worn, equipment should immediately be put out of service while the part is replaced. Lack of "maintenance" will result in premature wear, reduced life expectancy and possible failure.

All Little Tikes Commercial Play Systems playevents have been designed and engineered to meet all applicable safety guidelines, but if installed improperly, problems may occur such as: protruding hardware, entrapment gaps between 89mm[3.5"] to 228.6mm [9"], or string entanglements. Make certain the runout heights on all slides match what is recommended on the instruction page for that model number. Any accessible bolt ends that protrude beyond the face of the nut by more than two threads should be trimmed and peened smooth by the installer. Once your installation is complete, always inspect your work. Installation must be done to the manufacturer's assembly manual and applicable safety guidelines and/or standards.

**ALL CHILDREN SHOULD BE SUPERVISED WHILE PLAYING ON EQUIPMENT.**

**SAFETY AREAS:**

The area immediately surrounding and above the play structure must be free of obstructions such as: buildings, trees, other play equipment, etc., and must be kept clear for entries, exits, traffic and falls. Make sure your site has the required surfacing and fall area designated on your Playground Layout Drawings.

**INSTALLATION MANUAL:**

We have tried to make this installation manual as comprehensive and factual as possible. Please note from time to time information may be changed or updated. Equipment shown or described throughout this manual may be changed. The right is reserved to make changes at any time without notice.

AUTHORIZED BY:  
*Chris M. [Signature]* 15MAR01

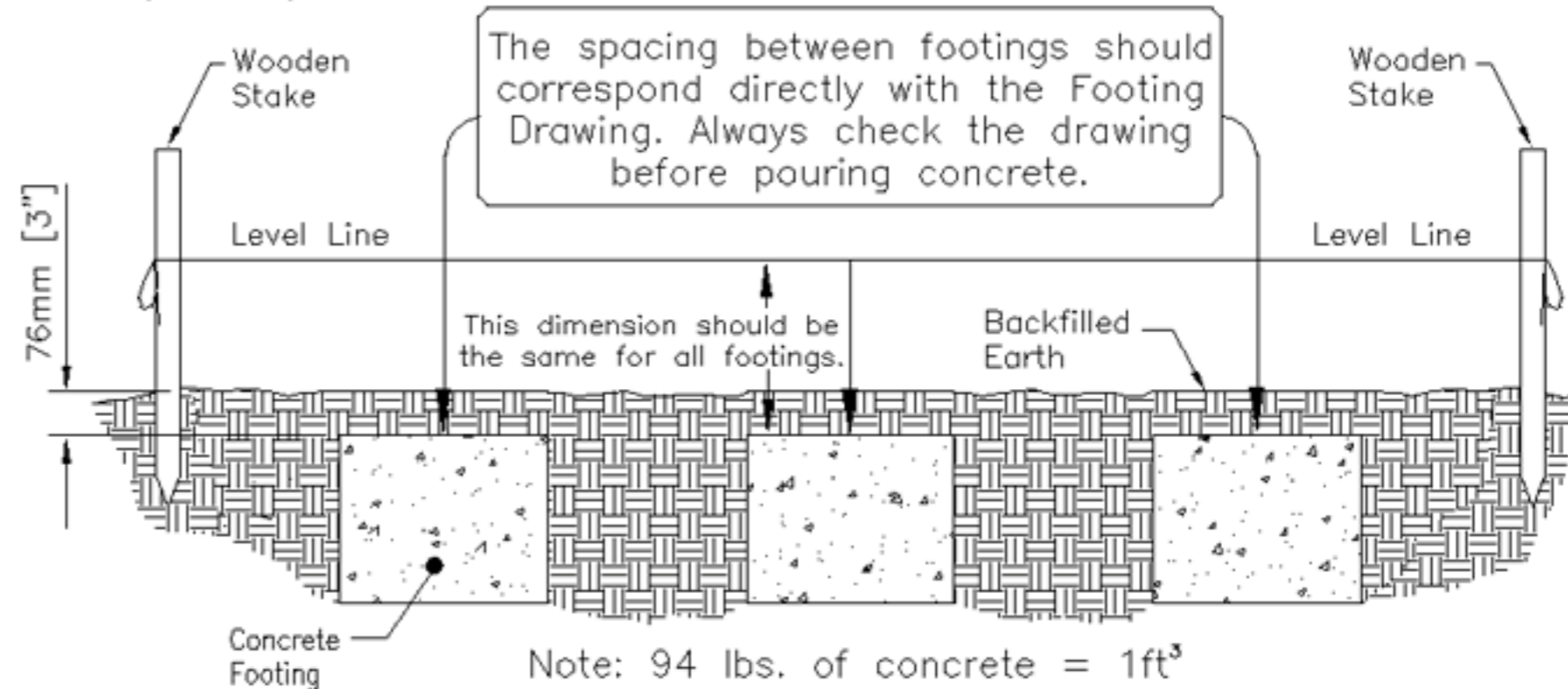
## THE ORDER OF ASSEMBLY:

- 1) Prepare your site. (Consideration is necessary for installing the talk tube on a structure. See Site Preparation Guidelines, or Talk Tube instructions for details.)
- 2) If you are using an Anchor bolt, you will need to pour concrete at least 48 hours in advance. Do not leave any open holes overnight. (Never leave a structure overnight in a potentially hazardous condition, i.e. open footing holes, open decks, exposed concrete, without roping off the area and posting warning signs. It is always best if the construction is scheduled such that the entire installation can be performed in one day, however, with larger structures this may be difficult.)
- 3) Start with the lowest deck and four posts. Calculate the location of the deck top on the first post by adding 991 [39"] to the deck height. Mark the post then install as shown. (See Square Deck installation instructions for further details. **THE INSTALLATION OF THE FIRST DECK IS CRITICAL TO PROPERLY INSTALLING THIS EQUIPMENT, SO MAKE SURE THE POSTS AND DECK ARE AT THE PROPER HEIGHT AND ARE PLUMB AND LEVEL.**)
- 4) Place this assembly in the footings. If you are sure the first deck assembly is correctly positioned, you may pour the four post footings at this time to help stabilize the structure. If installing the Surface Mount method, move the assembly to the proper location. Use the feet as templates, drill bolt holes and secure the structure to the footings.
- 5) If a Deck to Deck Plate, Ladder Panel, or Interstep Deck are to be attached to the first deck, assemble the bottom edge to the deck edge. See individual instructions for details.
- 6) Attach the next deck to two posts and move the posts into the footing holes and level the deck. Attach the two open corners of the deck to the previous deck assembly posts. Finish installing the deck to deck attachment by assembling it to the edge of the upper deck.
- 7) Attach any structure linking events or overheads to the deck assemblies, such as Crawl Tunnels, Clatter Bridges, Burmese Bridges, Suspension Bridges, Challenge Ladders, etc. Continue to add the remaining decks and deck attachments to the existing structure until all platforms are in place.
- 8) Make sure the structure is level and the decks are at the proper height. Install any roofs or enclosures.
- 9) Install all remaining events.
- 10) Tighten all hardware and install clamp drive pins. Be sure to use as many as the instructions call out.
- 11) Place warning labels on the structure. Inspect playground for protruding hardware, entrapment gaps between 89mm [3-1/2"] to 229mm [9"], and string entanglements. Make sure the runout heights on all slides match what is recommended on the instruction page for that model number. Any accessible exposed bolt ends that protrude beyond the face of the nut more than two threads should be trimmed and peened by the installer.
- 12) Install resilient surfacing on the entire "use zone".

## MAKING LEVEL FOOTINGS:

By using wooden stakes and stringing a level line, you can determine the proper height for your concrete. If available, a surveyor's transit will also be helpful.

Determine ground level at the lowest footing location and pour concrete in this location first. This level will be your datum plane. (The point at which all other footing heights are referenced from.) Pour the rest of the footings up to 76mm[3"] from the level of the datum plane. Make sure that all measurements from the top of the poured footing to the level line are the same. (Hint: If installing a surface mount structure, concrete should be poured at least 48 hours in advance of the playground being installed to ensure maximum holding potential.)



Note: 94 lbs. of concrete = 1ft<sup>3</sup>  
207 grams = 0.041m<sup>3</sup>

If installing with the Inground method, you must always backfill footings with at least 76mm[3"] of earth after concrete has cured (not shown).

## SUGGESTED TOOLS:

- |                                       |                                  |
|---------------------------------------|----------------------------------|
| - 2 Magnetic Levels                   | - Extension Cords                |
| - 1 1220[48"] Carpenter's Level       | - Water Supply/Garden Hose       |
| - 2 Measuring Tapes                   | - Wooden Stakes                  |
| - 1 Felt Tip Pen                      | - Concrete (in some cases)       |
| - 1 Sledge Hammer or Rubber Mallet    | - Some sort of digging equipment |
| - 1 610mm-915mm [24"-36"] Bolt Cutter | - Transit                        |
| - 1 Roll of String                    | - Adjustable Wrenches            |
| - Ratchets for M10 Torx Service Drive | - Metric Socket Set              |
| - Electric Drill                      | - Various Drill Bits             |
| - C-Clamps                            | - Wheel Barrow                   |
| - Saw Horses                          | - Ladders                        |
| - Resilient Ground Cover              | - Generator/ Power Source        |

AUTHORIZED BY:  
*Chris M. [Signature]* 15MAR01

**WARNING**

INSTALLATION OVER A HARD SURFACE SUCH AS CONCRETE, ASPHALT, OR PACKED EARTH MAY RESULT IN SERIOUS INJURY OR DEATH FROM FALLS.

L'INSTALLATION SUR SURFACE DURE TELLE QUE DU CIMENT, DE L'ASPHALTE OU DE LA TERRE BATTUE PEUT CAUSER DE SERIEUSES BLESSURES OU MEME LA MORT EN CAS DE CHUTE.

INSTALACION SOBRE UNA SUPERFICIE DURA, TAL COMO CONCRETO, ASFALTO O TERRENO COMPACTADO, PUEDE PROVOCAR QUE UNA CAIDA CAUSE LESIONES SERIAS O INCLUSO LA MUERTE.

Little Tikes Commercial Play Systems Inc.  
P.O. Box 897  
Farmington, MO 63640

For more information, call Little Tikes Commercial Play Systems Inc. at 1-888-458-2737 or 1-573-756-4591

← This label has been provided by Little Tikes Commercial Play Systems Inc. for the purpose of informing the user of the safety risk involved if a fall onto a hard surface occurs.

It is important when installing your play equipment to display this label in a prominent location on each structure.

This label should be placed such that it will:

- (1) Be readily visible to the intended viewer and,
- (2) Alert the viewer to the potential hazard in time to take appropriate action.

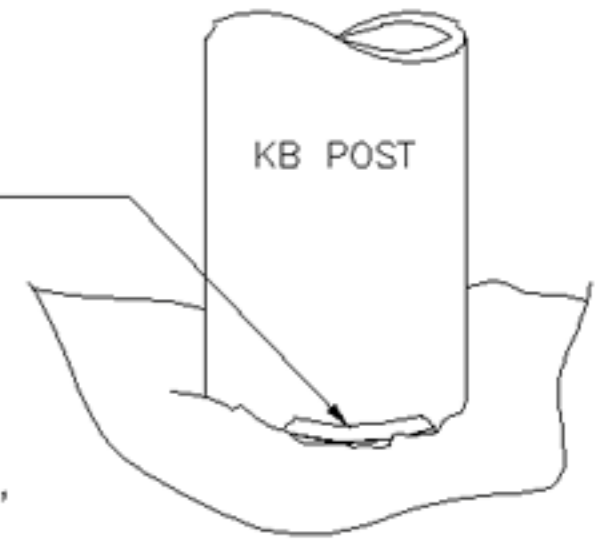
Do not place this label in a high traffic area or in a location of excessive wear. If the label becomes illegible, destroyed, or removed, it is necessary for the operator to replace the label as soon as possible.

### SLIDE INSTALLATION:

Due to manufacturing variability, the actual slide footing dimensions may vary from the installation instruction dimensions by as much as 50mm [2"]. Actual footing locations should be determined by positioning assembled equipment.

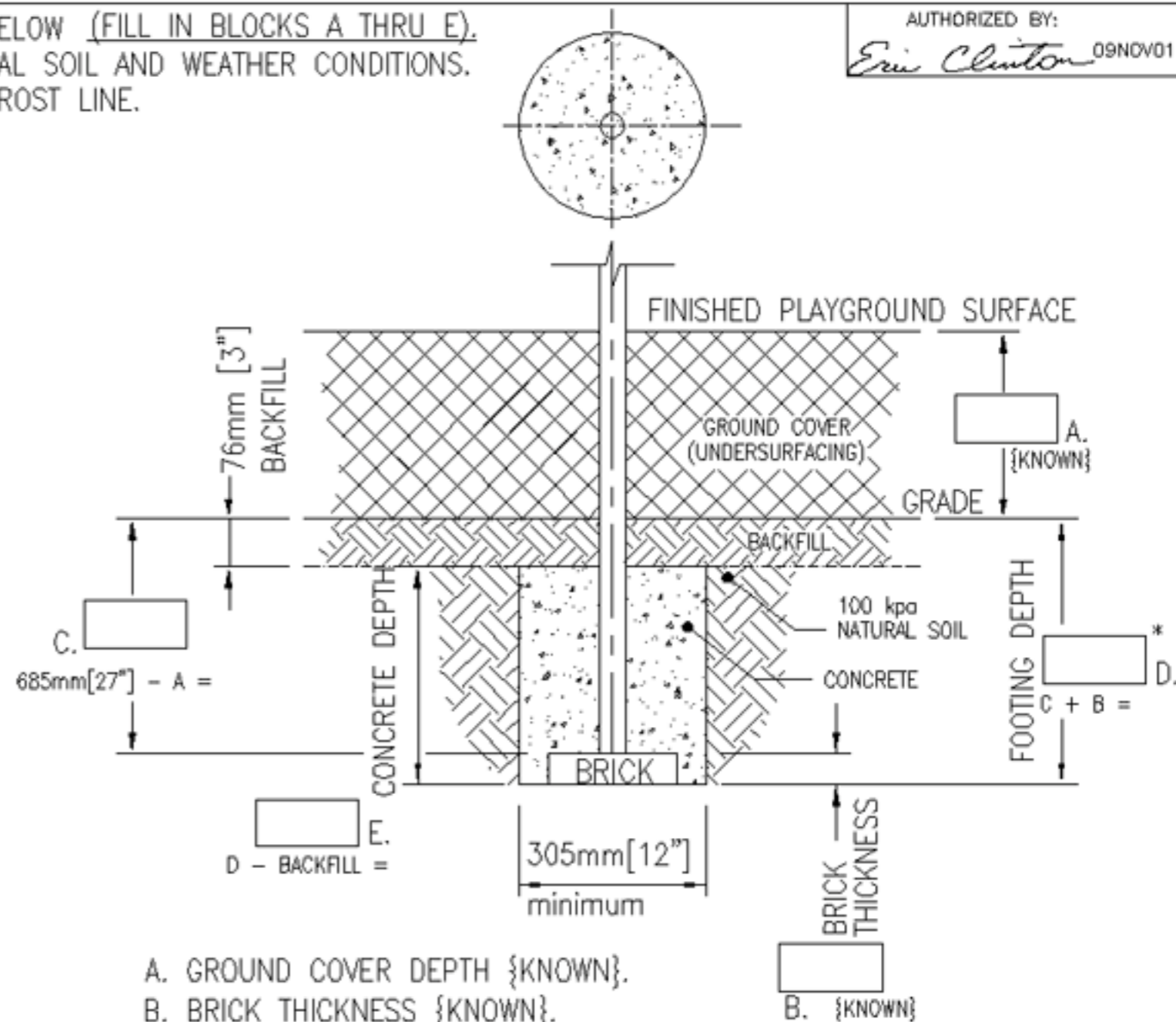
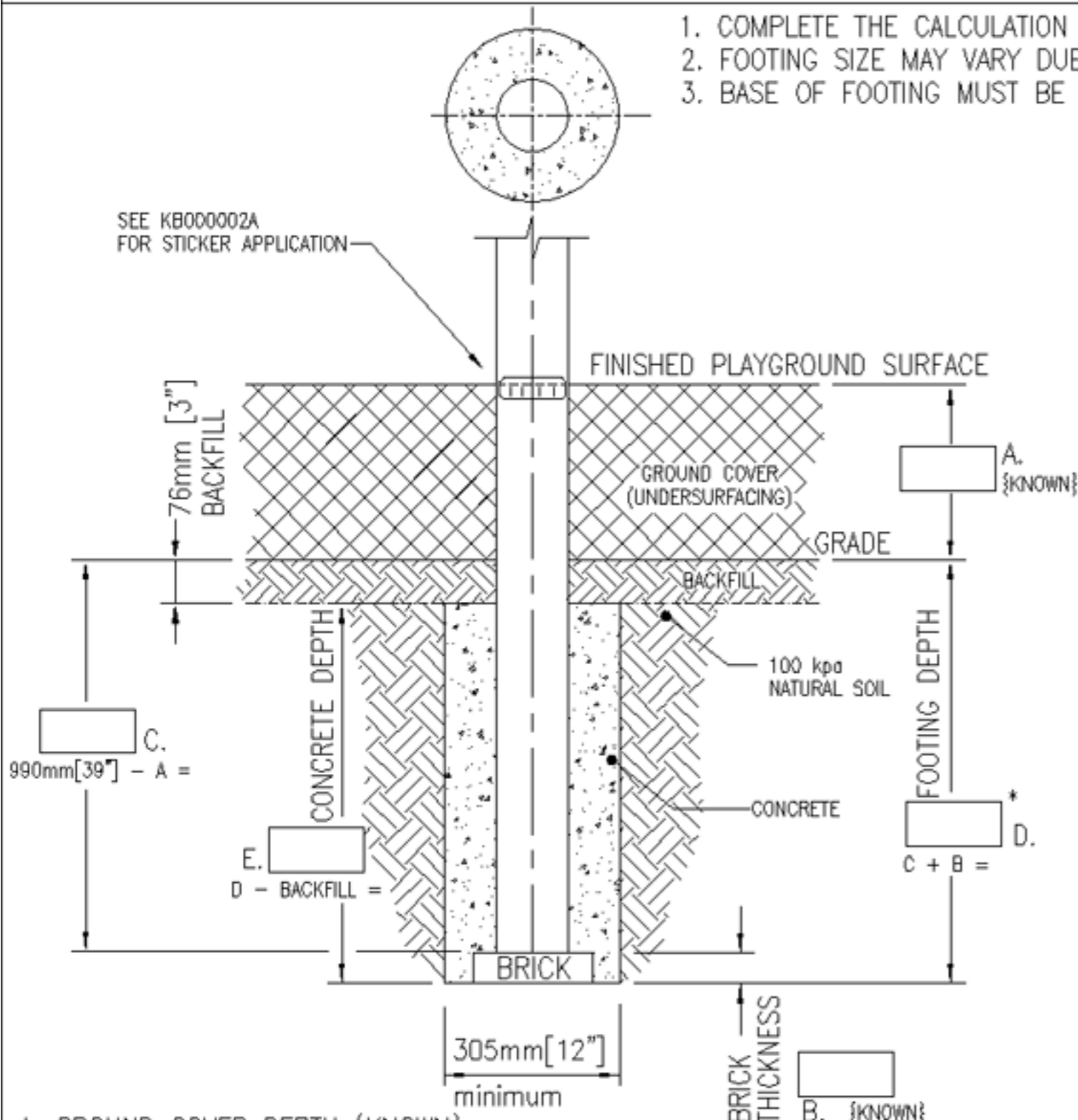
If you are in need of Material Safety Data Sheets pertaining to the use and handling of any maintenance materials such as touch-up paint, vinyl repair kits or for product such as, Kid Tiles adhesive or urethane top coatings, please contact our Customer Service Department at 1(800)325-8828. They will be able to provide you with the information you require.

<b>TOP OF SURFACE</b> <small>INSTALL AND MAINTAIN TOP OF RECOMMENDED SURFACING TO THIS MARK</small>	<b>HASTA A QUI</b> <small>COLOQUE Y MANTENGA HASTA LA MARCA LA SUPERFICIE RECOMENDADA</small>	<b>NIVEAU ZERO</b> <small>POUR L'INSTALLATION ET LA MAINTENANCE LA SURFACE AMORTISSANTE DOIT ATTEINDRE CE NIVEAU</small>
--	--	---



The sticker shown here has been provided to assist with the maintenance of your ground cover. After installing the ground cover, these stickers should be placed on the post by the installer (as shown). Peel the backing away from the sticker and attach it to the post so that the line is level with the top of your ground cover. As erosion or compaction of surfacing occurs, the line will be visible. This will indicate that it is time to add material to your surfacing.

1. COMPLETE THE CALCULATION SHEET BELOW (FILL IN BLOCKS A THRU E).
2. FOOTING SIZE MAY VARY DUE TO LOCAL SOIL AND WEATHER CONDITIONS.
3. BASE OF FOOTING MUST BE BELOW FROST LINE.



- A. GROUND COVER DEPTH {KNOWN}.
- B. BRICK THICKNESS {KNOWN}.
- C.  $685\text{mm}[27"] - A$   
BECAUSE  $A + C$  SHOULD ALWAYS EQUAL  $685\text{mm}[27"]$
- D. FOOTING DEPTH =  $[C] + \text{BRICK THICKNESS}$ .
- E. CONCRETE DEPTH = FOOTING DEPTH  $[D] - 76\text{mm}[3"]$  (BACKFILL).

## KB PLAYEVENT FOOTING - INGROUND

- A. GROUND COVER DEPTH {KNOWN}.
- B. BRICK THICKNESS {KNOWN}.
- C.  $990\text{mm}[39"] - A$  BECAUSE  $A + C$  SHOULD ALWAYS EQUAL  $990\text{mm}[39"]$
- D. FOOTING DEPTH =  $[C] + \text{BRICK THICKNESS}$ .
- \*MINIMUM  $610\text{mm}[24"] + \text{BRICK THICKNESS}$  FOOTING DEPTH REQUIRED
- E. CONCRETE DEPTH = FOOTING DEPTH  $[D] - 76\text{mm}[3"]$  (BACKFILL).

## KB POST FOOTING - INGROUND

HOW MUCH CONCRETE?

VOLUME OF CONCRETE REQUIRED FOR FOOTINGS:

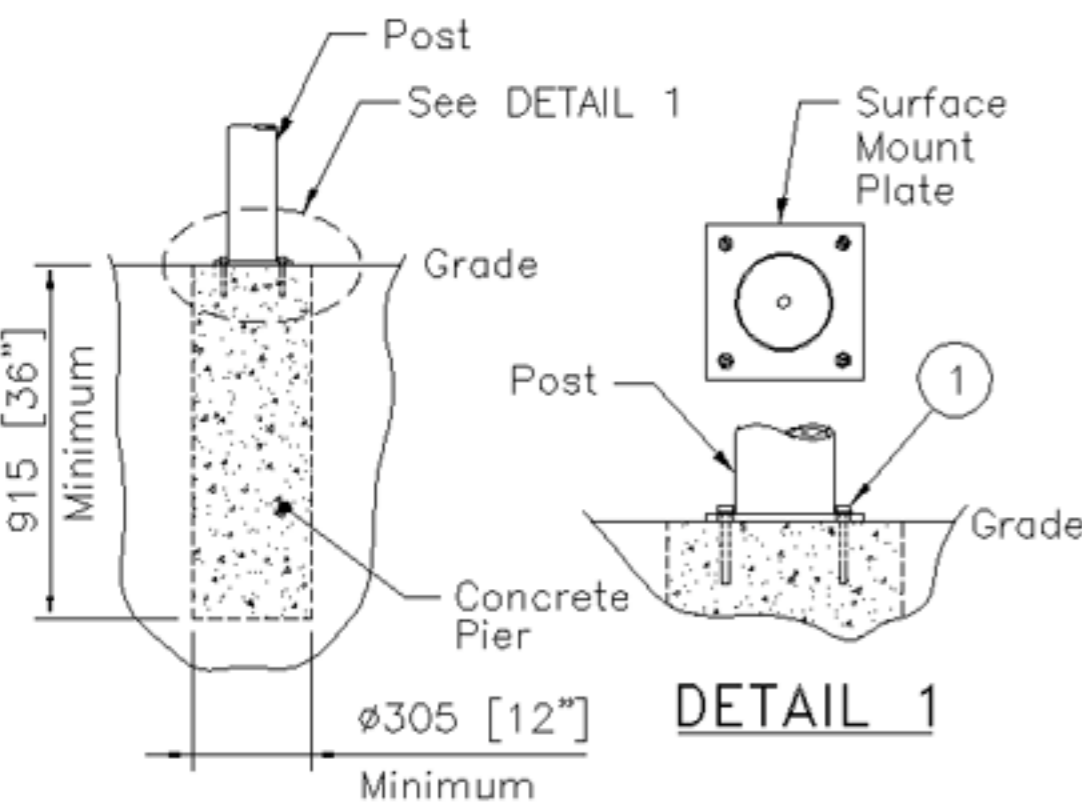
=  $0.067 \text{ M}^3 \times \left\{ \frac{\text{CONCRETE DEPTH (mm)}}{915} \right\} \times \text{No. OF FOOTING HOLES} = \text{M}^3$

=  $0.087 \text{ Yard}^3 \times \left\{ \frac{\text{CONCRETE DEPTH (IN)}}{36} \right\} \times \text{No. OF FOOTING HOLES} = \text{Yard}^3$

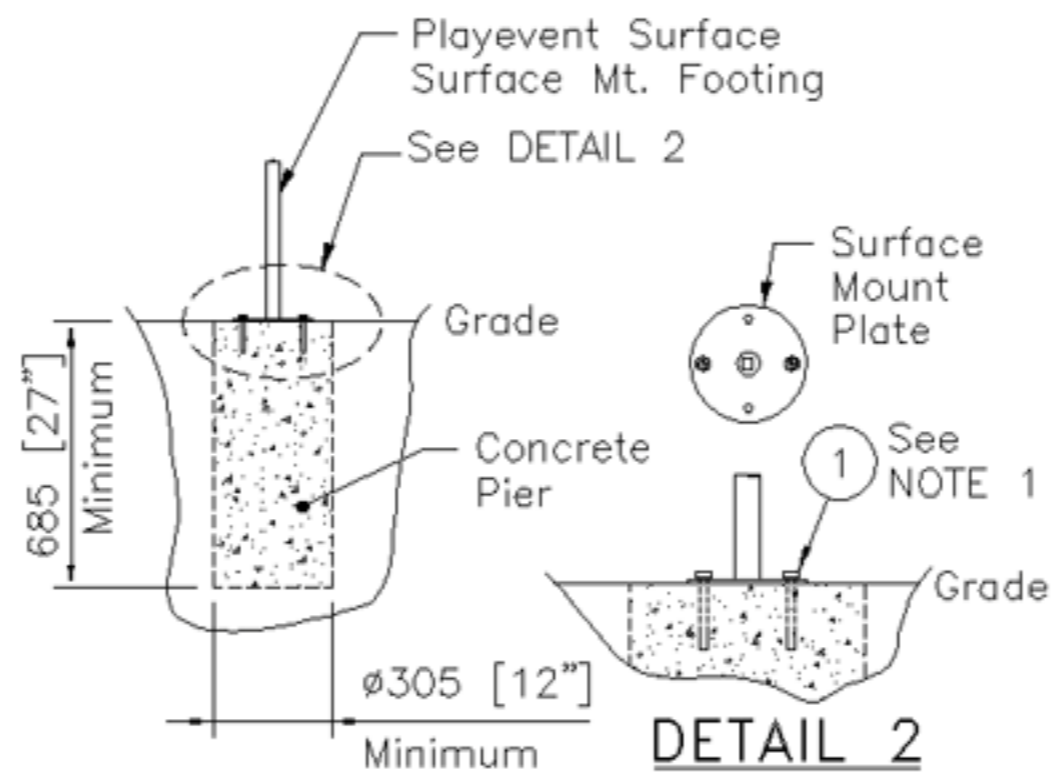
NOTES: - TO CALCULATE CUBIC FEET, MULTIPLY CUBIC YARD BY 27  
- 94 lbs OF CONCRETE = 1 CUBIC FOOT.

AUTHORISED BY  
*Chris M. [Signature]* 02MAR01

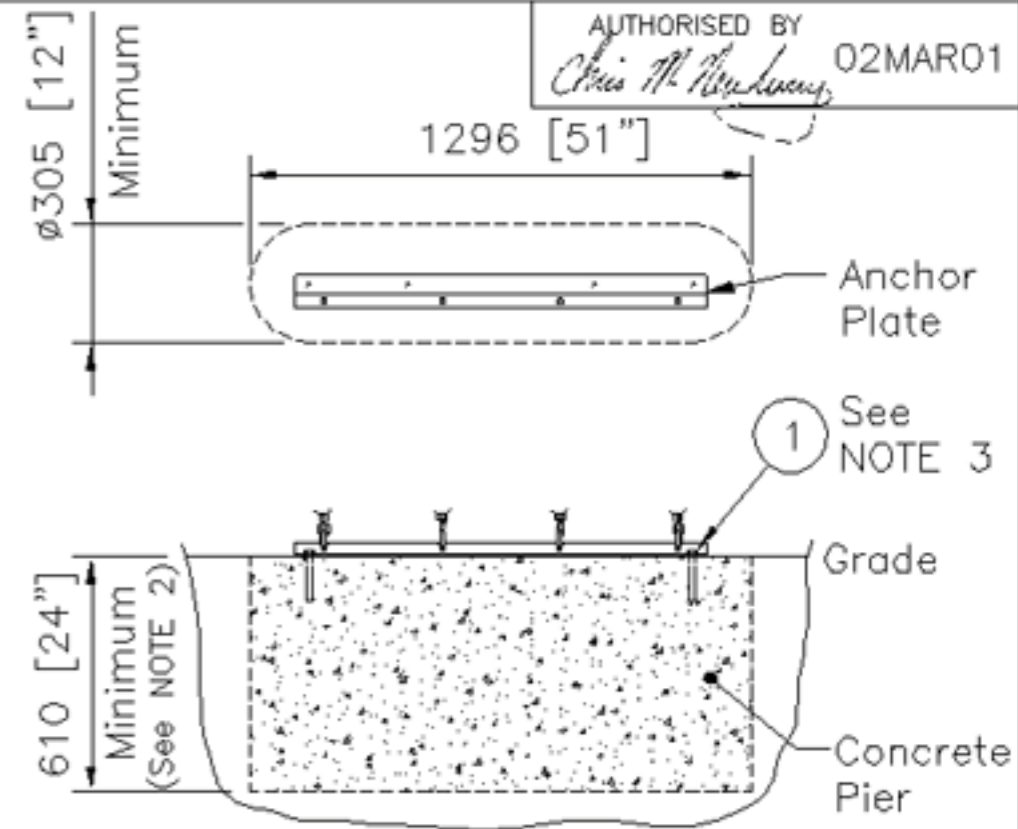
## OPTION 1: PIER



**DETAIL 1**



**DETAIL 2**



**NOTE 1:** Two per plate, diagonally located.

**NOTE 2:** Depth is less than round anchor because of extra volume of concrete.  
**NOTE 3:** Anchor bolts shown on ends, but can be moved to other holes if necessary for accessibility.

### Round Anchor

### Anchor Plate

Item	Dwg Ref	Description	Qty.
1	200001776	ANCHOR CONCRETE WEDGE M10 X 1.50 X 100MM	4

### Post Footing

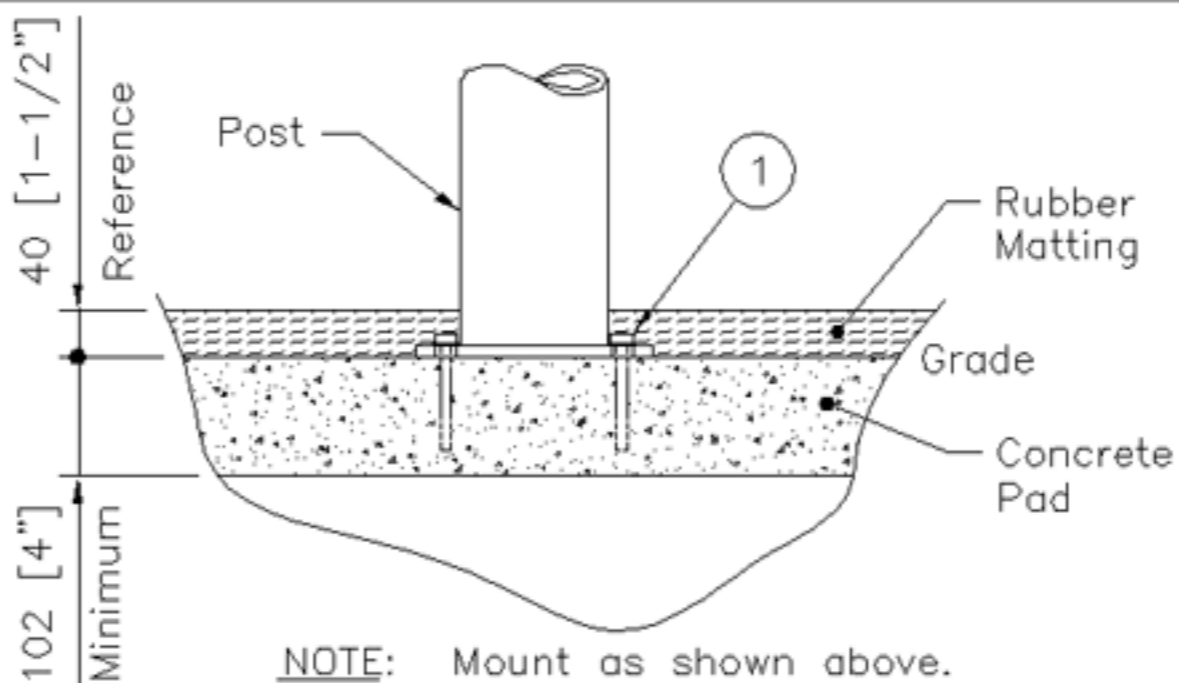
Item	Dwg Ref	Description	Qty.
1	200001776	ANCHOR CONCRETE WEDGE M10 X 1.50 X 100MM	2

### Playevent Footing

## OPTION 2: CONCRETE PAD

**NOTE 4:** Concrete may require up to 3 days to cure.

**NOTE 5:** A 3/8" Masonry bit is required to install anchor bolts.

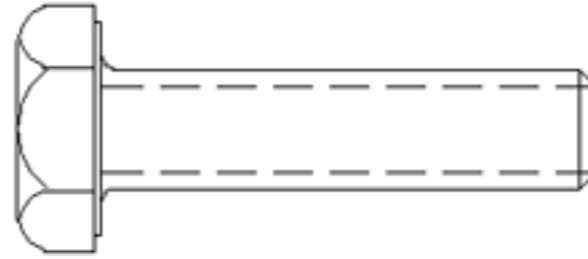
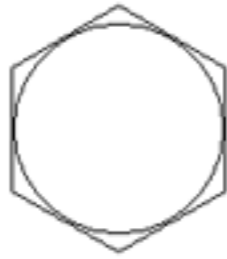


**NOTE:** Mount as shown above.

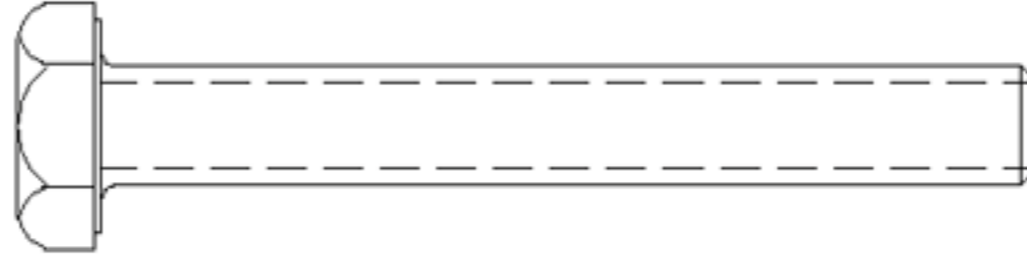
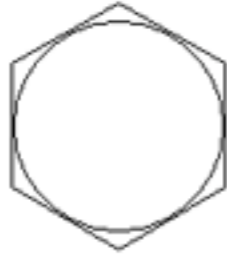


AUTHORIZED BY:  
*Chris M. Newberry* 01MAR01

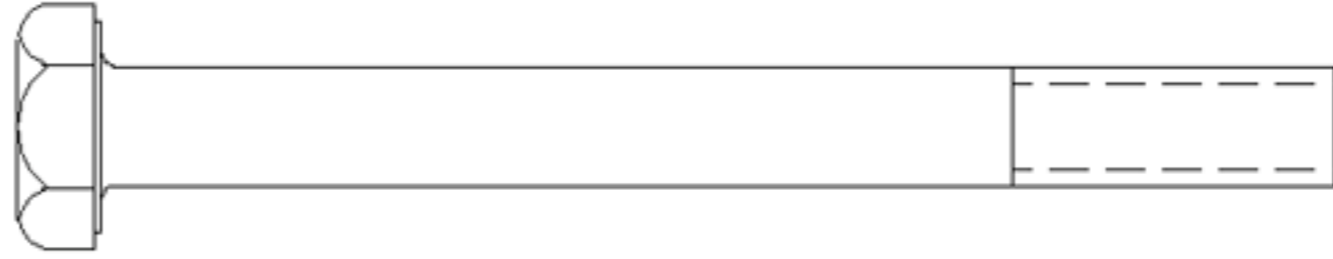
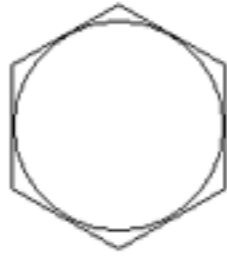
200001850  
CAP SCREW HEX HEAD M10 x 1.50 x 40mm



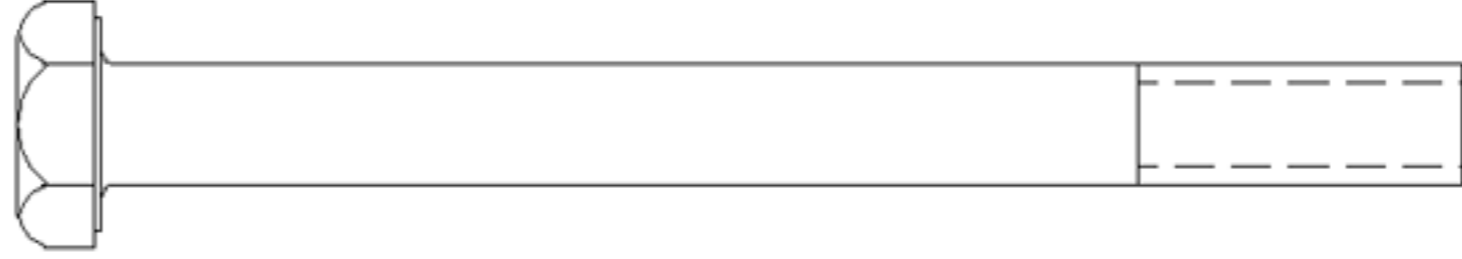
200001859  
CAP SCREW HEX HEAD M10 x 1.50 x 75mm



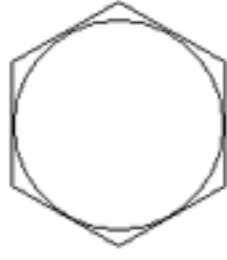
200001866  
CAP SCREW HEX HEAD M10 x 1.50 x 100mm



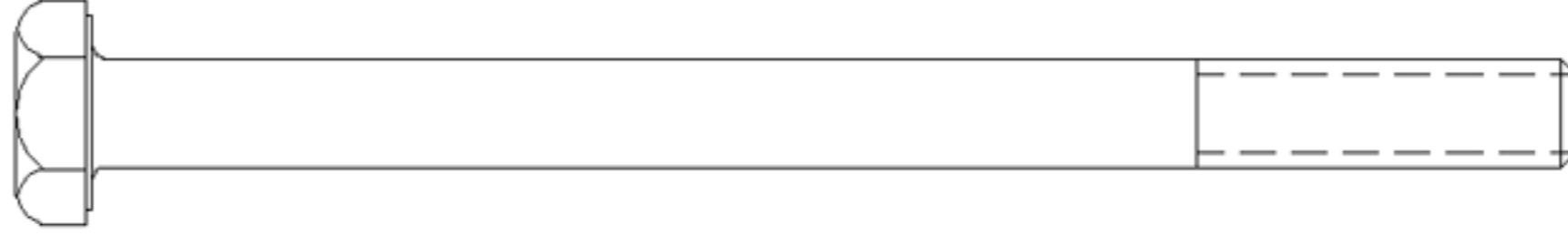
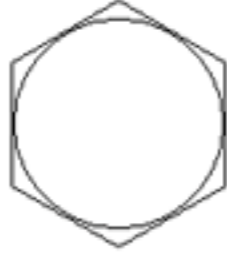
200001875  
CAP SCREW HEX HEAD M10 x 1.50 x 110mm



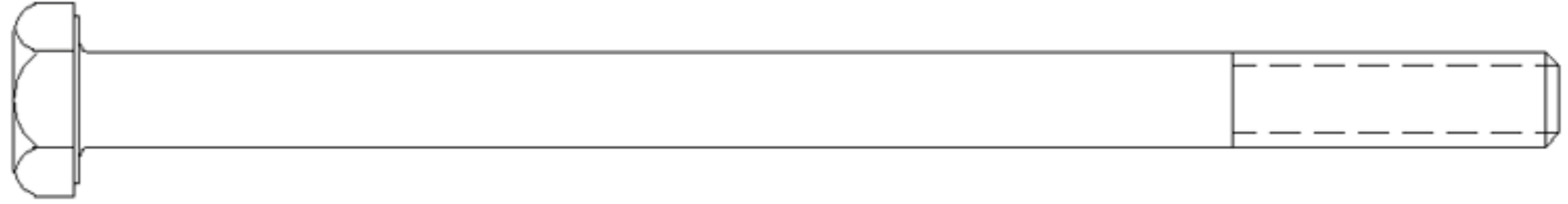
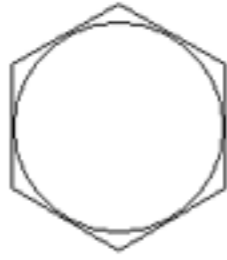
200001879  
CAP SCREW HEX HEAD M10 x 1.50 x 120mm

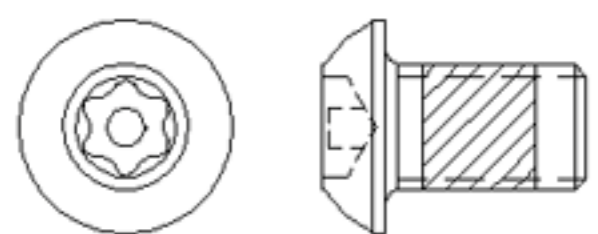


200001883  
CAP SCREW HEX HEAD M10 x 1.50 x 130mm

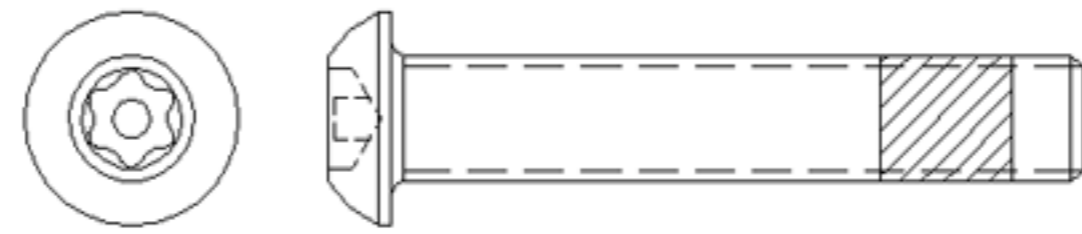


200000792  
CAP SCREW HEX HEAD M10 x 1.50 x 150mm

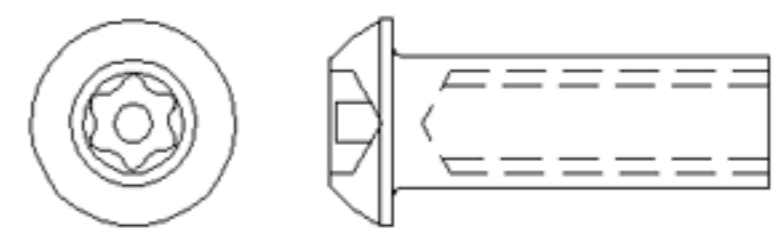




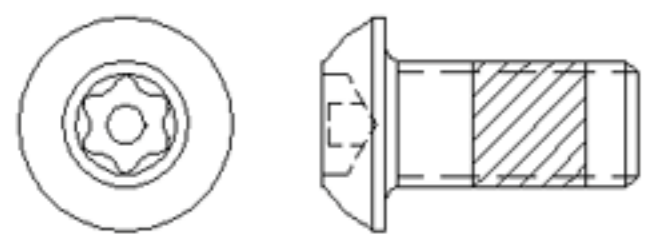
200002010  
SCREW MACH BUTTONHEAD M10 x 1.50 x 16mm



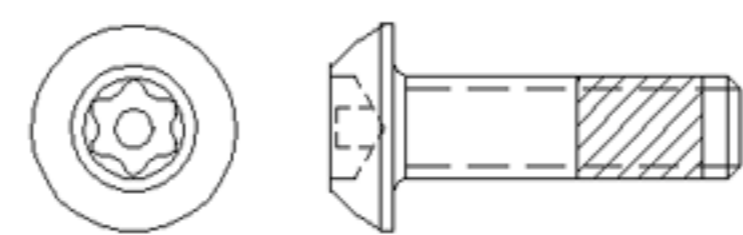
200002150  
SCREW MACH BUTTONHEAD M10 x 1.50 x 55mm



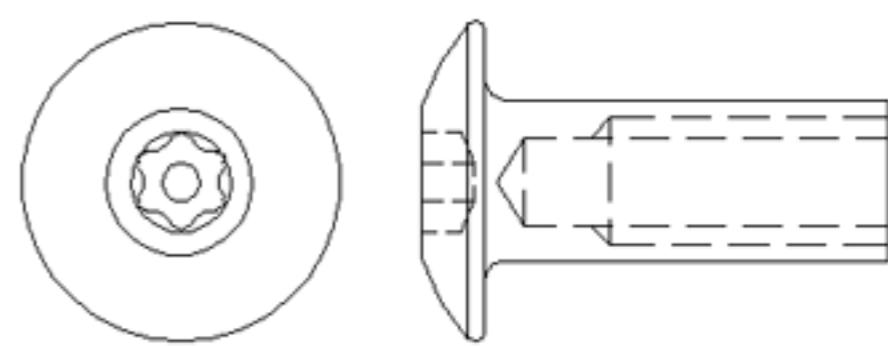
200002145  
BOLT M8 x 1.25 FEMALE 10.3 x 30mm



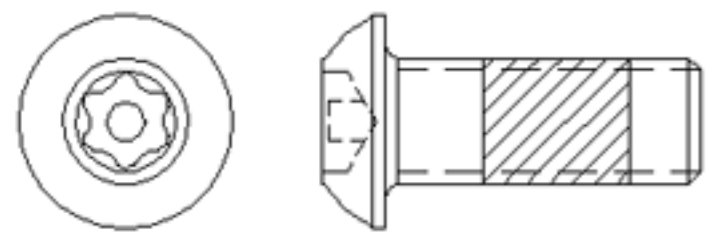
200002014  
SCREW MACH BUTTONHEAD M10 x 1.50 x 20mm



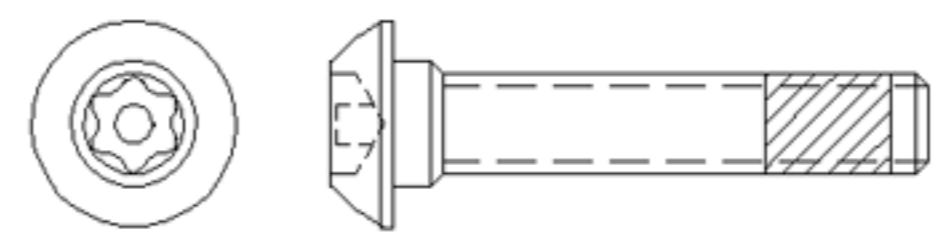
200002133  
BOLT M8 x 1.25 MALE 27.5mm



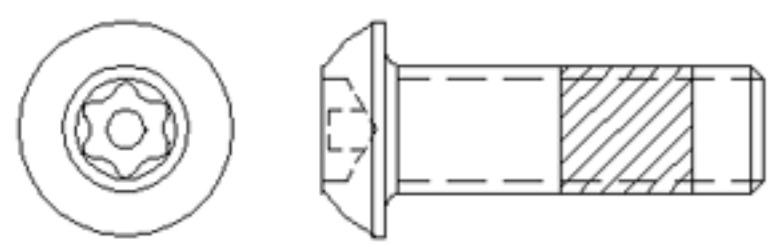
200001954  
BARREL NUT M10 X 1.50 (12.70 DIA x 32mm)



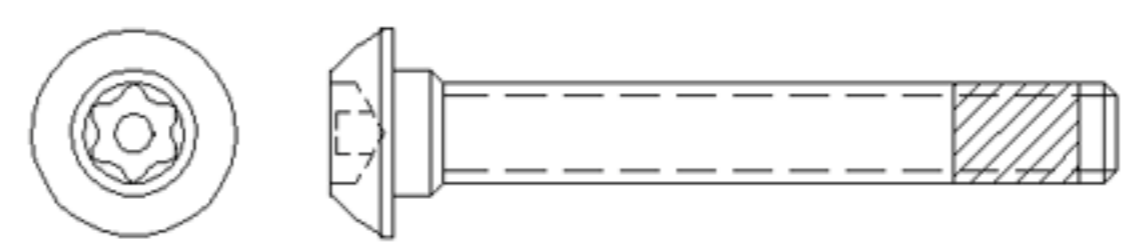
200002018  
SCREW MACH BUTTONHEAD M10 x 1.50 x 25mm



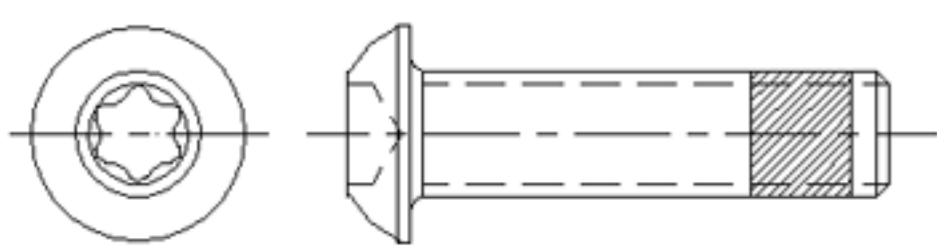
200002138  
BOLT M8 x 1.25 MALE 42.5mm



200002030  
SCREW MACH BUTTONHEAD M10 x 1.50 x 30mm

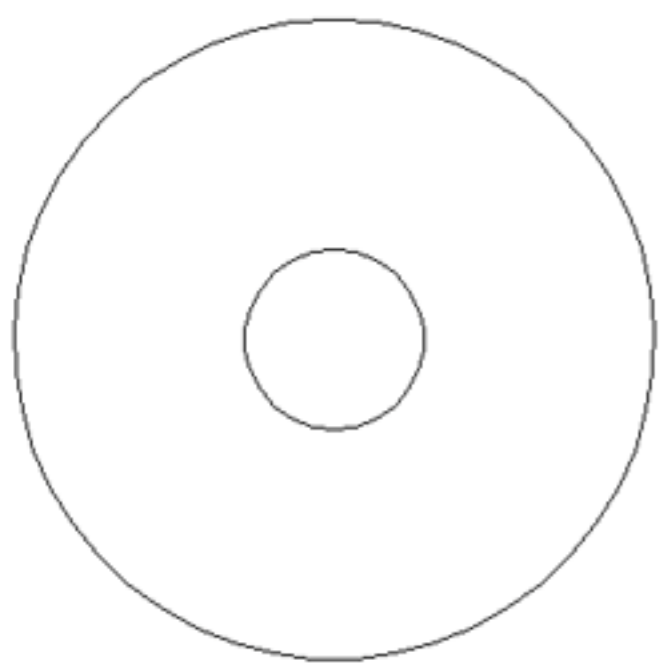


200002142  
BOLT M8 x 1.25 MALE 57.5mm

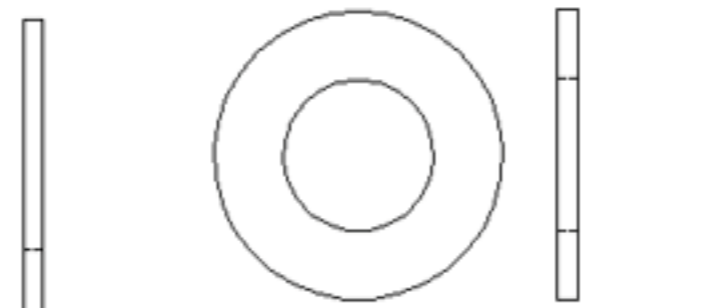


200097726  
SCREW MACH BUTTONHEAD M10 x 1.50 x 38mm

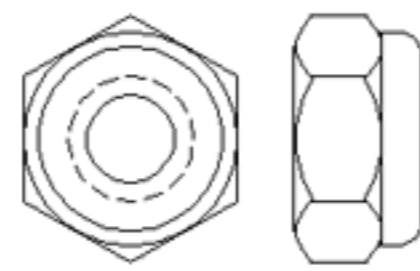
AUTHORIZED BY:  
BARRY WILFONG 15FEB12



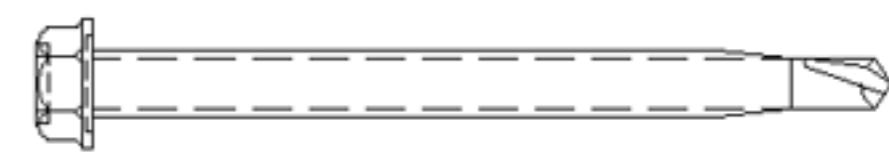
200002113  
WASHER FLAT M12 (51 x 14.5 x 2mm)



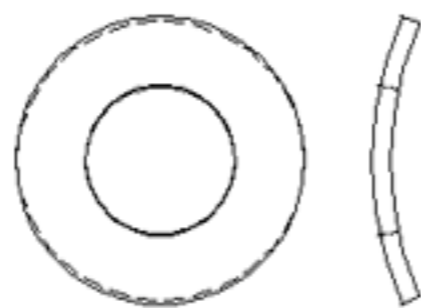
200002079  
WASHER FLAT M11 23 x 12 X 1.6mm



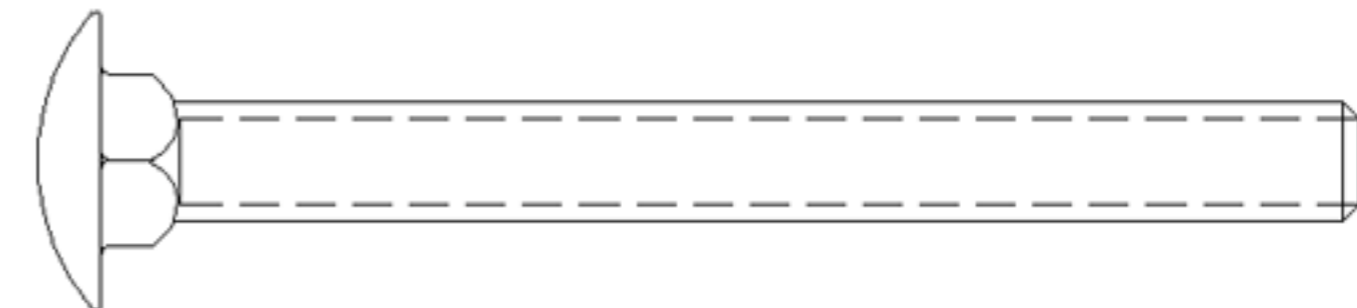
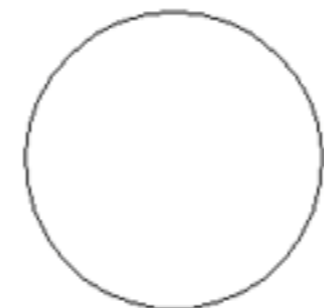
200001945  
NUT LOCK HEX NYLON INSERTED M10 x 1.5



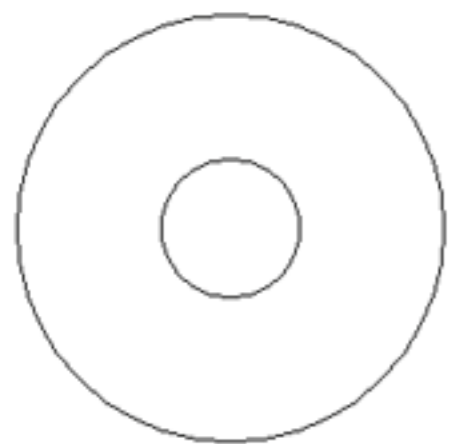
200002002  
SCREW DRILL HEX HEAD M6 .3 x 1.81 x 65mm



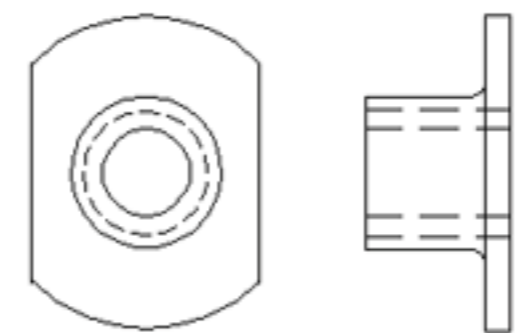
200008483  
WASHER BOWED M11 23.5 x 11.7 x 1.57 mm



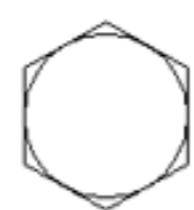
200001810  
BOLT CARRIAGE M10 x 1.50 x 100mm



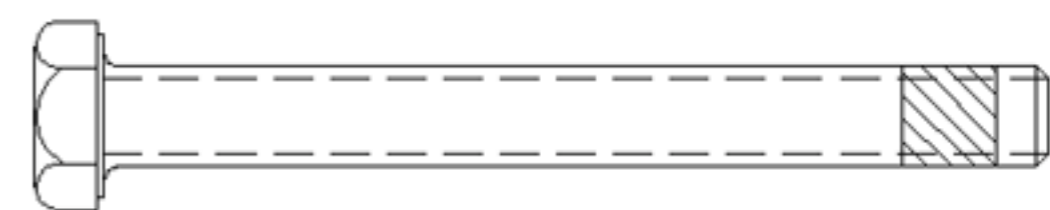
200002096  
WASHER FLAT M10 34OD x 11ID x 3 mm THK



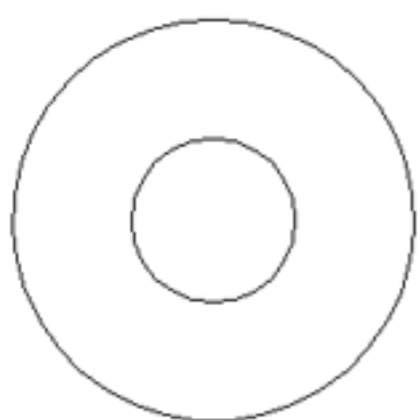
200001966  
T-NUT SLAB BASE M10 x 1.50 x 9.5mm



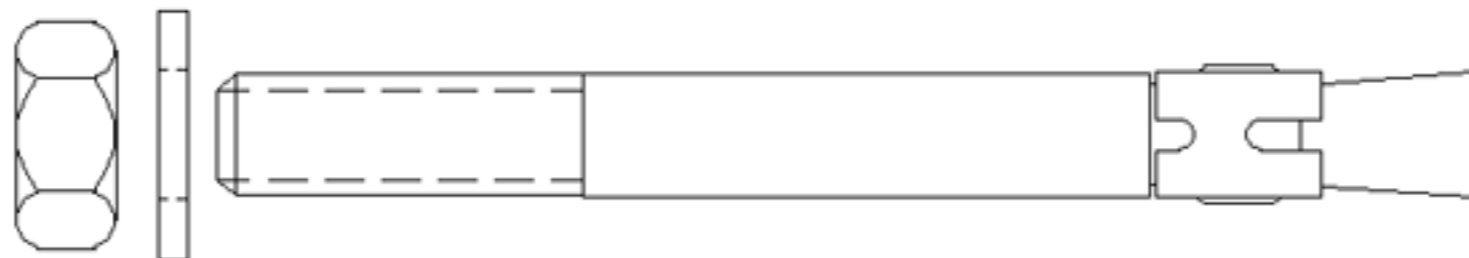
200001826  
CAP SCREW HEX HEAD M8 X 1.25 X 75mm



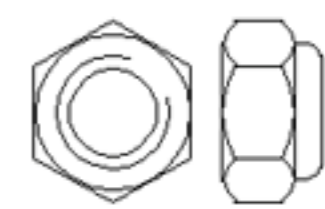
200001986  
SCREW U-DRIVE ROUND HEAD M5 x 16mm



200002100  
WASHER FLAT M11 32OD x 13ID x 2 mm THK



200001776  
ANCHOR CONCRETE WEDGE M10 x 1.5 x 100mm



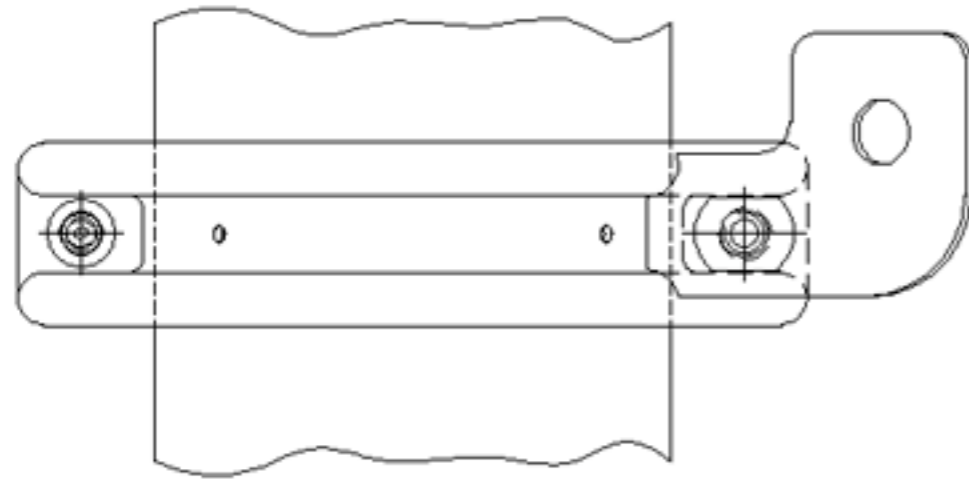
200001934  
NUT LOCK HEX NYLON INSERTED M8 x 1.25



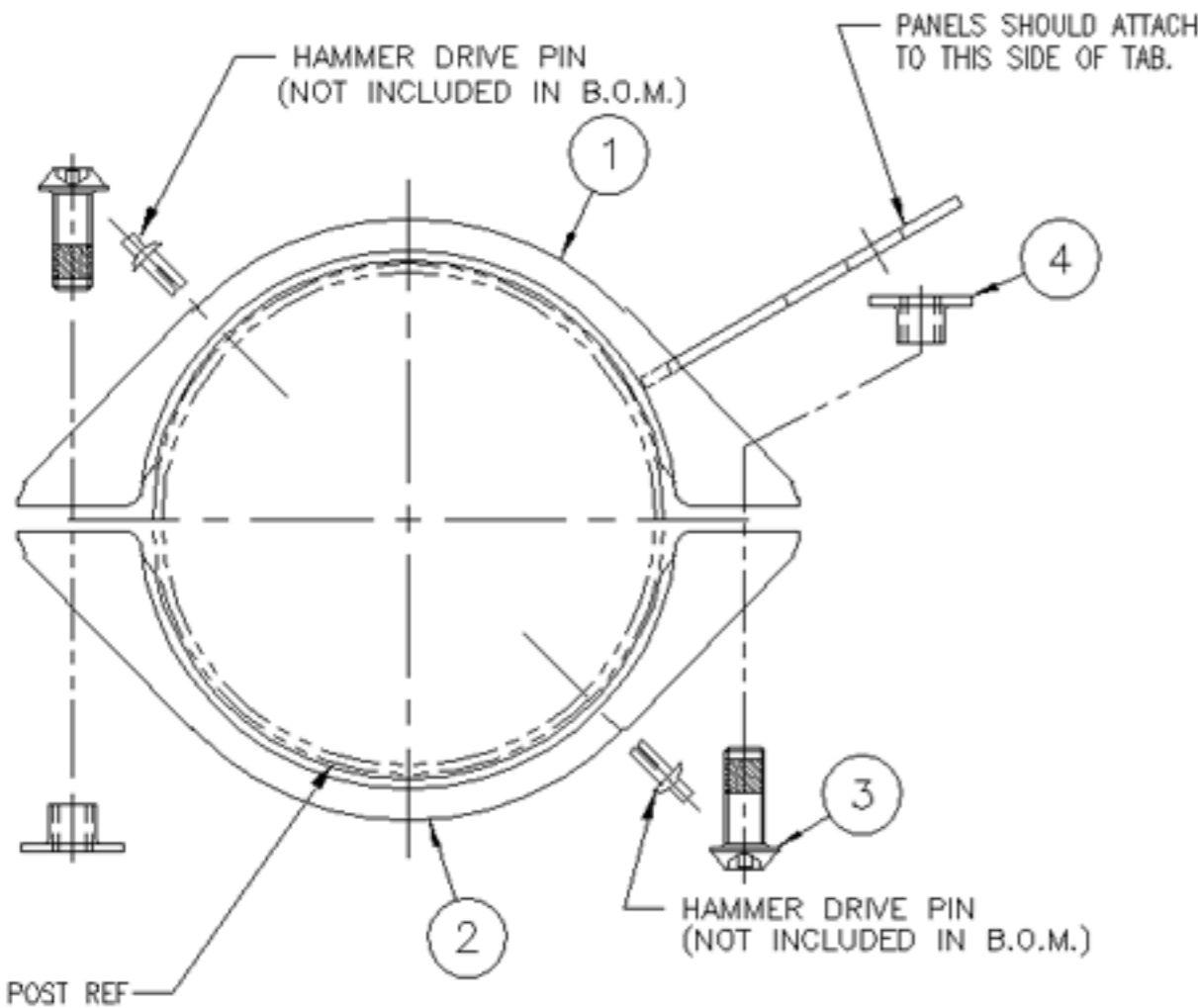
# CLAMP HI-LO TAB F/KB

# CLAMP HI-LO TAB F/KB

200079200



**NOTE:**  
TAB WILL BE DIRECTED UP (AS SHOWN) ON ONE SIDE OF THE PANEL AND DOWN ON THE OTHER SIDE OF THE PANEL



NOTE: FOR UNDERSURFACING & FOOTINGS REFER TO SEPARATE INSTRUCTIONS

## CLAMP HI-LO TAB F/KB

Item	Dwg Ref	Description	Qty.
1	-	CLAMP HI-LO TAB F/ KB	1
2	-	CLAMP HALF W/O WELDED ATTACHMENT	1
3	200002018	SCREW MACH BUTTONHEAD M10 X 1.50 X 25MM	2
4	200001966	T-NUT SLAB BASE M10 X 1.50 X 9.5MM	2

## Specifications

### CLAMP

MATERIAL: STAMPED SHST  
COLOR: AS SELECTED FROM STD. COLOR RANGE.  
FINISH: ELECTROSTATICALLY APPLIED POLYESTER DRY POWDER COAT

### FASTENERS

FINISH: STAINLESS STEEL.

## Application

- FOR USE WHEN HIGH-LOW CLAMP CONFIGURATION IS NEEDED TO ATTACH PANELS.

## Maintenance

- CHECK ALL HARDWARE
- TOUCH UP ANY MARRED PAINT SURFACE

## Installation Instructions

1. POSITION THE CLAMP HALVES AROUND THE POST AND LOOSELY CONNECT HALVES TOGETHER WITH THE HARDWARE SHOWN. CLAMPS SHOULD BE ORIENTED SO THAT PANELS WILL ATTACH TO THE TAB FACE SHOWN IN THE DETAIL.
2. MOVE THE CLAMP ASSEMBLY ALONG THE POST UNTIL IT LINES UP WITH THE LOCATION THAT IT WILL BE CONNECTED TO THE PANEL. COMPLETE THE PANEL CONNECTION AS SPECIFIED IN THE INDIVIDUAL PANEL INSTRUCTION.
3. LEVEL THE CLAMP ASSEMBLY AROUND THE POST AND TIGHTEN CLAMP HARDWARE.
4. AS A LAST STEP IN THE PLAYGROUND INSTALLATION, INSTALL HAMMER DRIVE PINS. LOCATE ONE OF THE EXISTING SMALL HOLES IN A CLAMP HALF. (EITHER HOLE CAN BE USED, USE THE MOST ACCESSIBLE.) THIS WILL BE THE DRILLING SITE FOR THE HAMMER DRIVE PIN. DRILL A 5mm (3/16") DIA. HOLE INTO THE POST. INSERT THE HAMMER DRIVE PIN INTO THE HOLE. TAP THE CENTER CORE PIN INWARD UNTIL IT IS FLUSH WITH THE OUTER PIN SURFACE. BE CAREFUL NOT TO MAR THE PAINTED SURFACES. REPEAT ON THE OTHER CLAMP HALF. HAMMER DRIVE PINS ARE SHIPPED SEPERATELY FROM CLAMP HARDWARE.

KB000009A

AUTHORIZED BY:

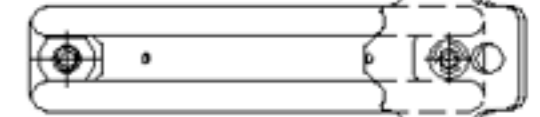
*Raymond* 03AUG99

PANEL OR WING CLAMP

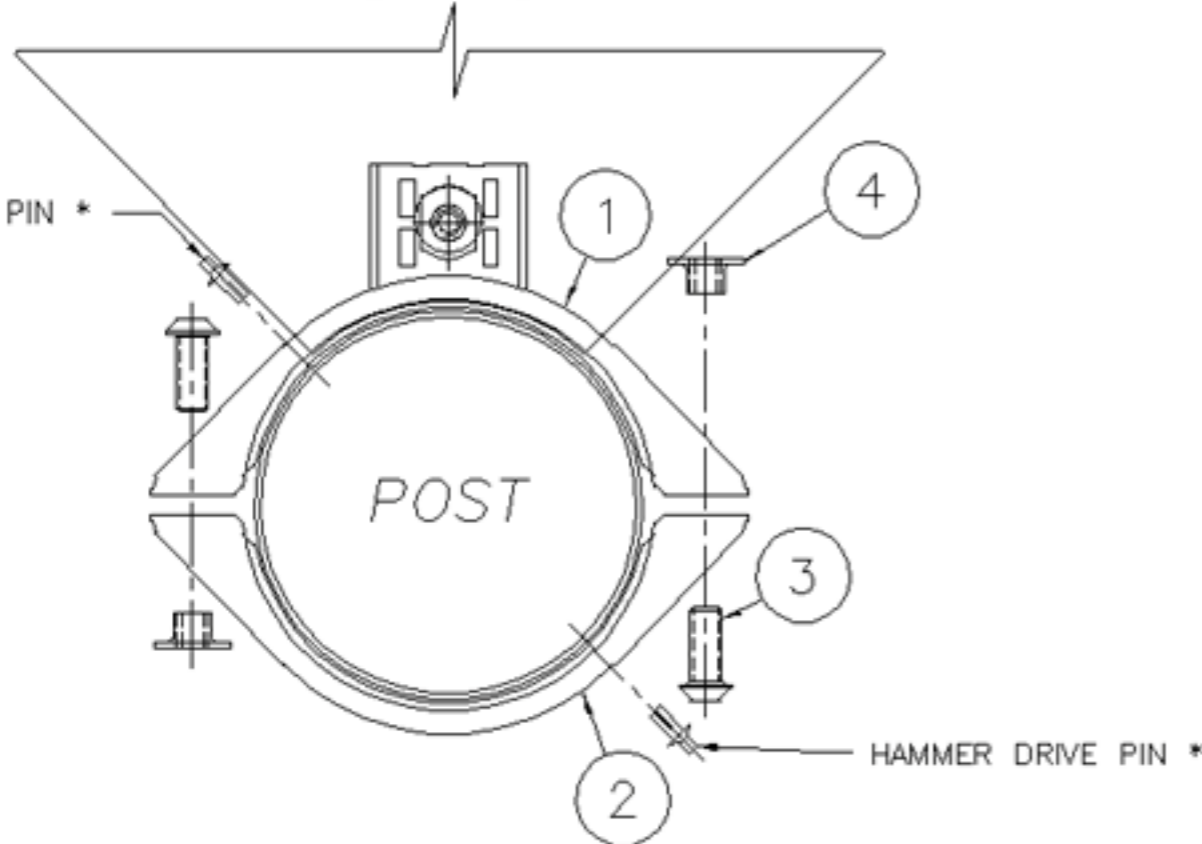
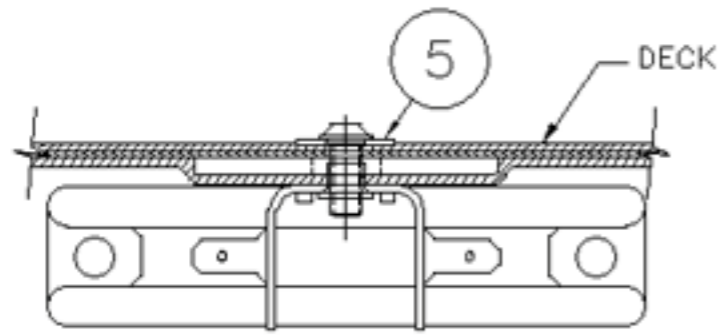
ITEM	CODE	DESCRIPTION	QTY
1	-	CLAMP HALF W/TAB F/PANEL MT. ZN	1
-OR-	-	CLAMP HALF W/TAB F/KB WING CLAMP	1
2	-	CLAMP HALF W/O WELDED ATTACHMENT ZN	1
3	200002018	SCREW MACH BUTTONHEAD M10 X 1.50 X 25MM	2
4	200001966	T-NUT SLAB BASE M10 X 1.50 X 9.5MM	2



REF: PANEL CLAMP

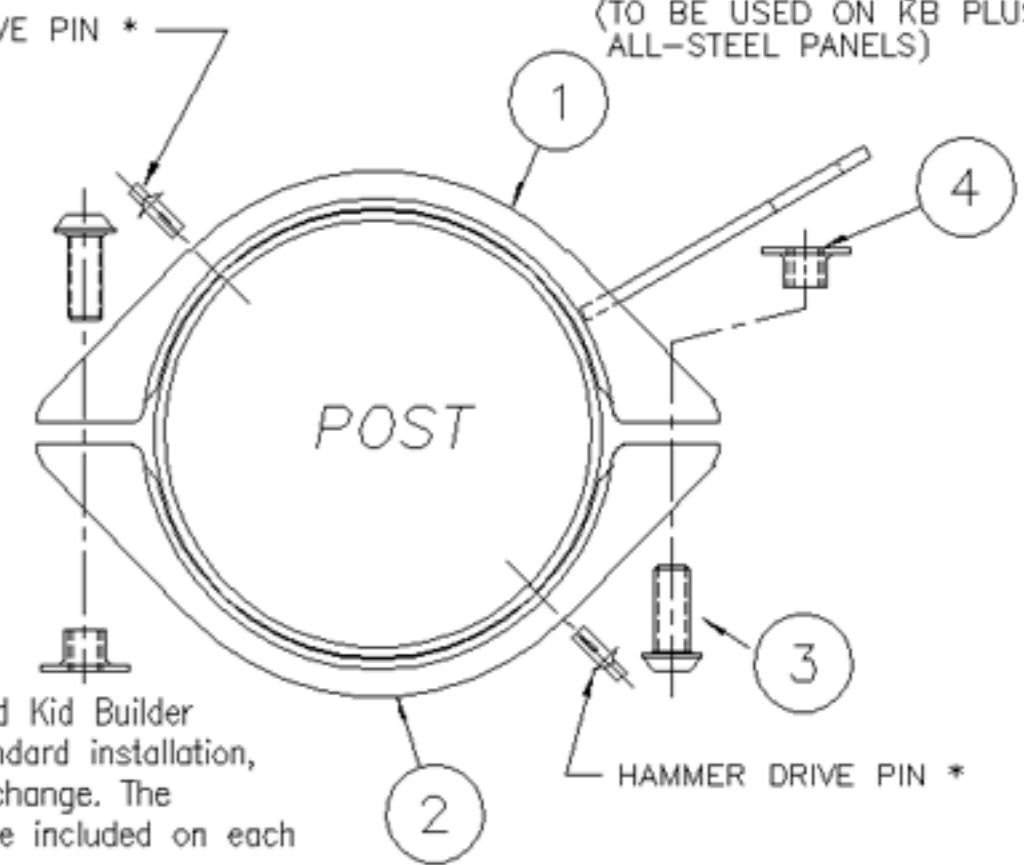


REF: WING CLAMP  
(TO BE USED ON KB PLUS ALL-STEEL PANELS)



DECK CLAMP

ITEM	CODE	DESCRIPTION	QTY
1	-	CLAMP HALF W/NEW DECK ATTACHMENT ZN	1
2	-	CLAMP HALF W/O WELDED ATTACHMENT ZN	1
3	200002018	SCREW MACH BUTTONHEAD M10 X 1.50 X 25MM	3
4	200001966	T-NUT SLAB BASE M10 X 1.50 X 9.5MM	3
5	200002100	WASHER FLAT M11 320D X 131D X 2 MM THK	1



The following details illustrate the assembly of all standard Kid Builder Clamps. If a component requires an exception to the standard installation, the instruction page for that component will reflect that change. The hardware used to attach a Panel Clamp to a panel will be included on each component page.

1. Each Clamp half will have a small hole and a large hole on opposite sides. The Larger hole accommodates the Tee Nuts.
2. Always make sure the event is at the proper height and the clamps are level before Hammer Drive Pins are installed.
3. There will also be two smaller pilot holes on each clamp half. Pick the most accessible hole and drill a 5mm dia. hole through the clamp half and the post. Tap the pins in with a rubber mallet or hammer. Be careful not to mar paint surfaces. Also, all Rail Clamp attachments will have pilot holes for hammer drive pin installation.

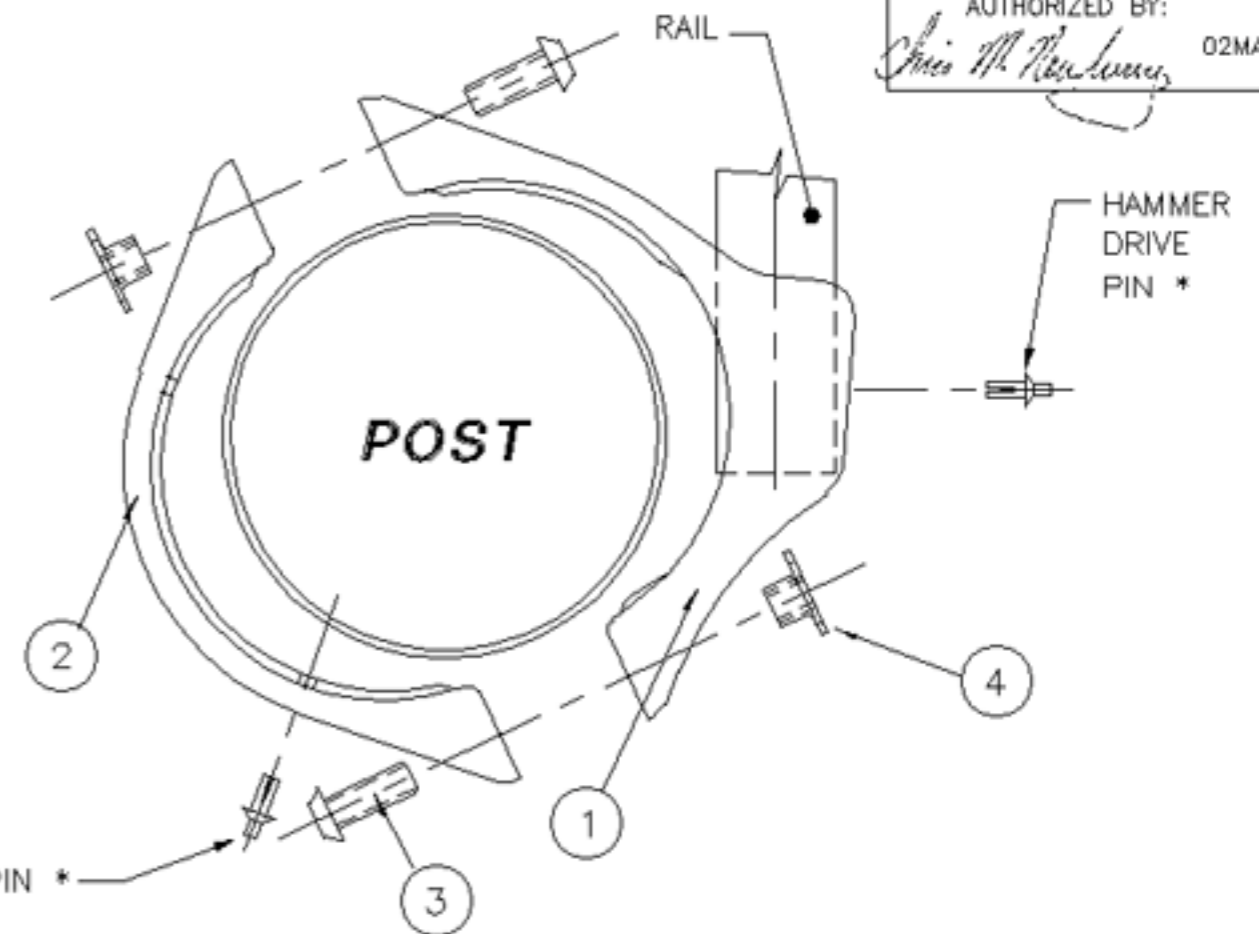
\* Hammer drive pins are not included in the clamp hardware bag. They are located in a separate bag in the hardware kit.

AUTHORIZED BY:  
*Chris M. Newberry* 02MAR01

The following details illustrate the assembly of all standard Kid Builder Clamps. If a component requires an exception to the standard installation, the instruction page for that component will reflect that change.

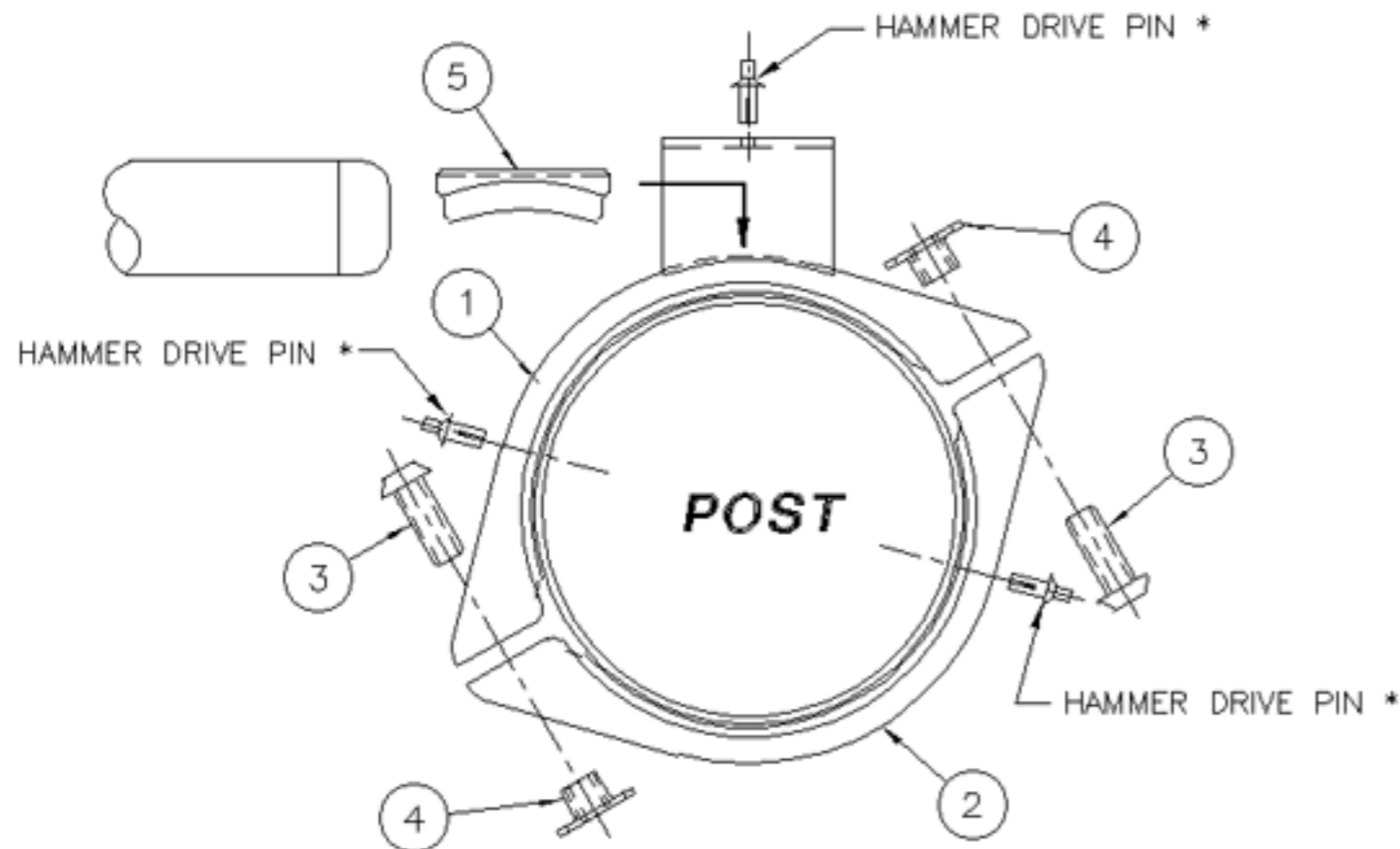
1. Each Clamp half will have a small hole and a large hole on opposite sides. The Larger hole accommodates the Tee Nuts.
2. Always make sure the event is at the proper height and the clamps are level before Hammer Drive Pins are installed.
3. There will also be two smaller pilot holes on each clamp half. Pick the most accessible hole and drill a 5mm dia. hole through the clamp half and the post. Tap the pins in with a rubber mallet or hammer. Be careful not to mar paint surfaces. Also, all Rail Clamp attachments will have pilot holes for hammer drive pin installation.

\* Hammer drive pins are not included in the clamp hardware bag. They are located in a separate bag in the hardware kit.



## 30 DEG. RAIL CLAMP W/ WEDGE

ITEM	DRG REF	DESCRIPTION	QTY
1	-	CLAMP HALF W/ATT. F/RAILS ZN 30 DEG.	1
2	-	CLAMP HALF W/O WELDED ATTACHMENT ZN	1
3	200002018	SCREW MACH BUTTONHEAD M10 X 1.50 X 25 MM	2
4	200001966	T-NUT SLAB BASE M10 X 1.50 X 9.5 MM	2
5	200000733	SPACER WEDGE ALUM. F/KB CLAMP F/SLOT	1

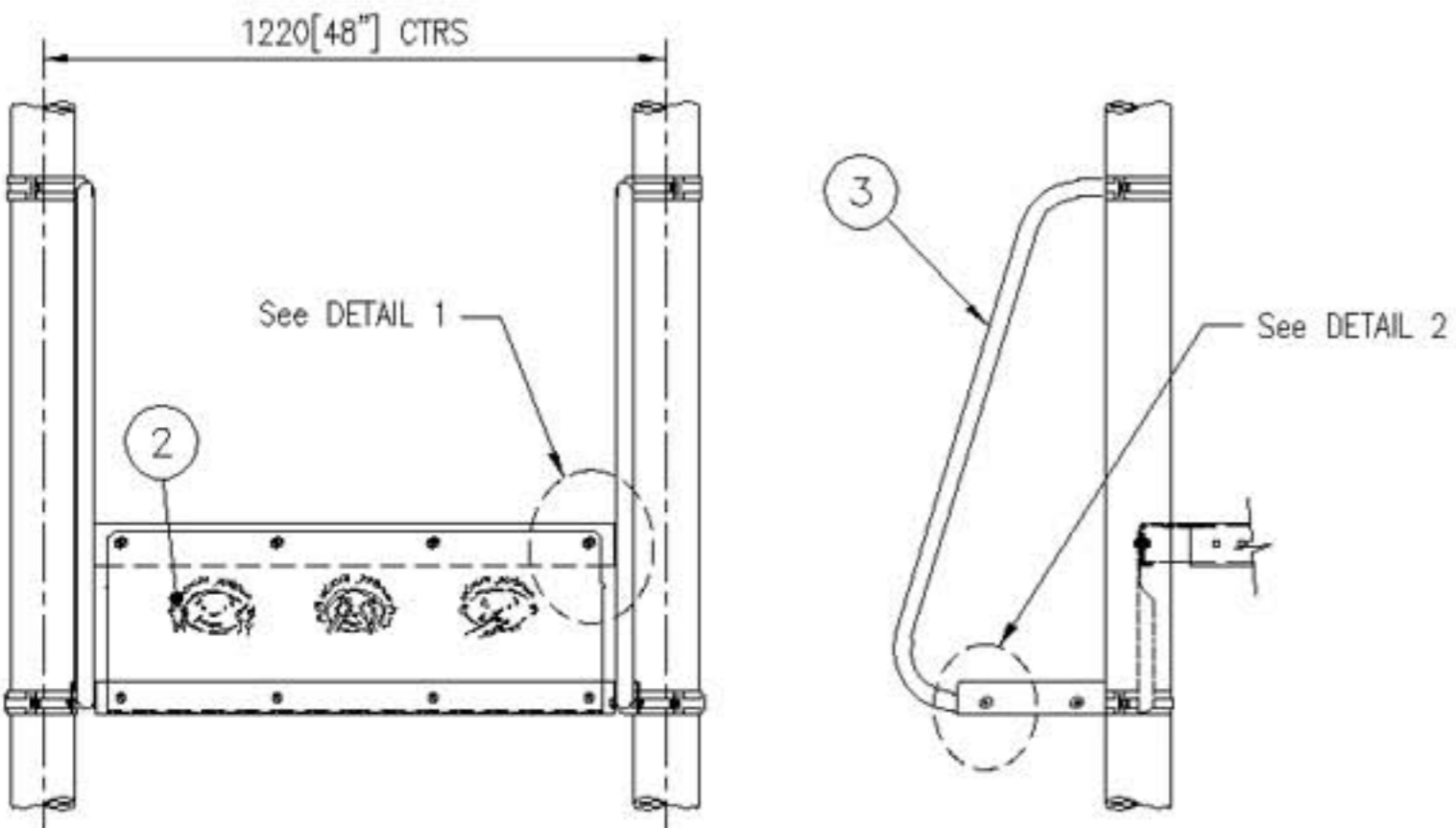
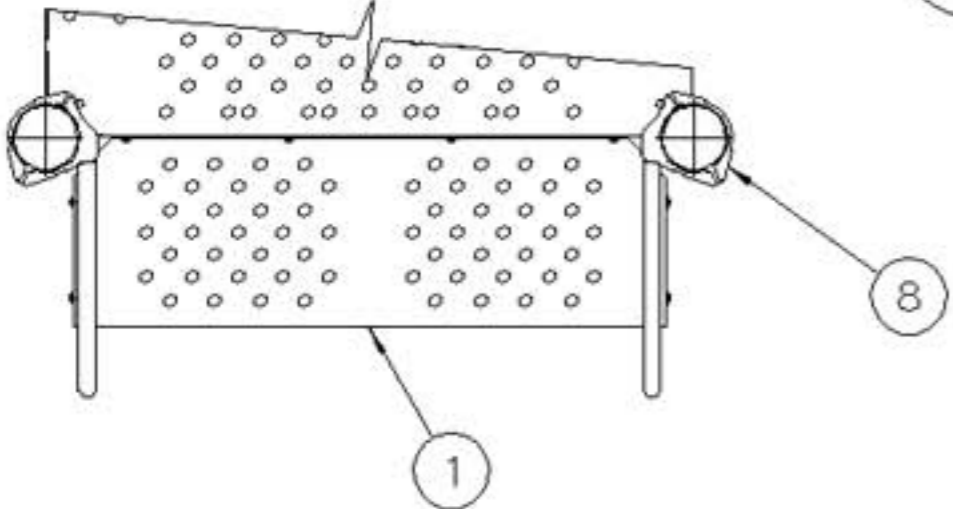
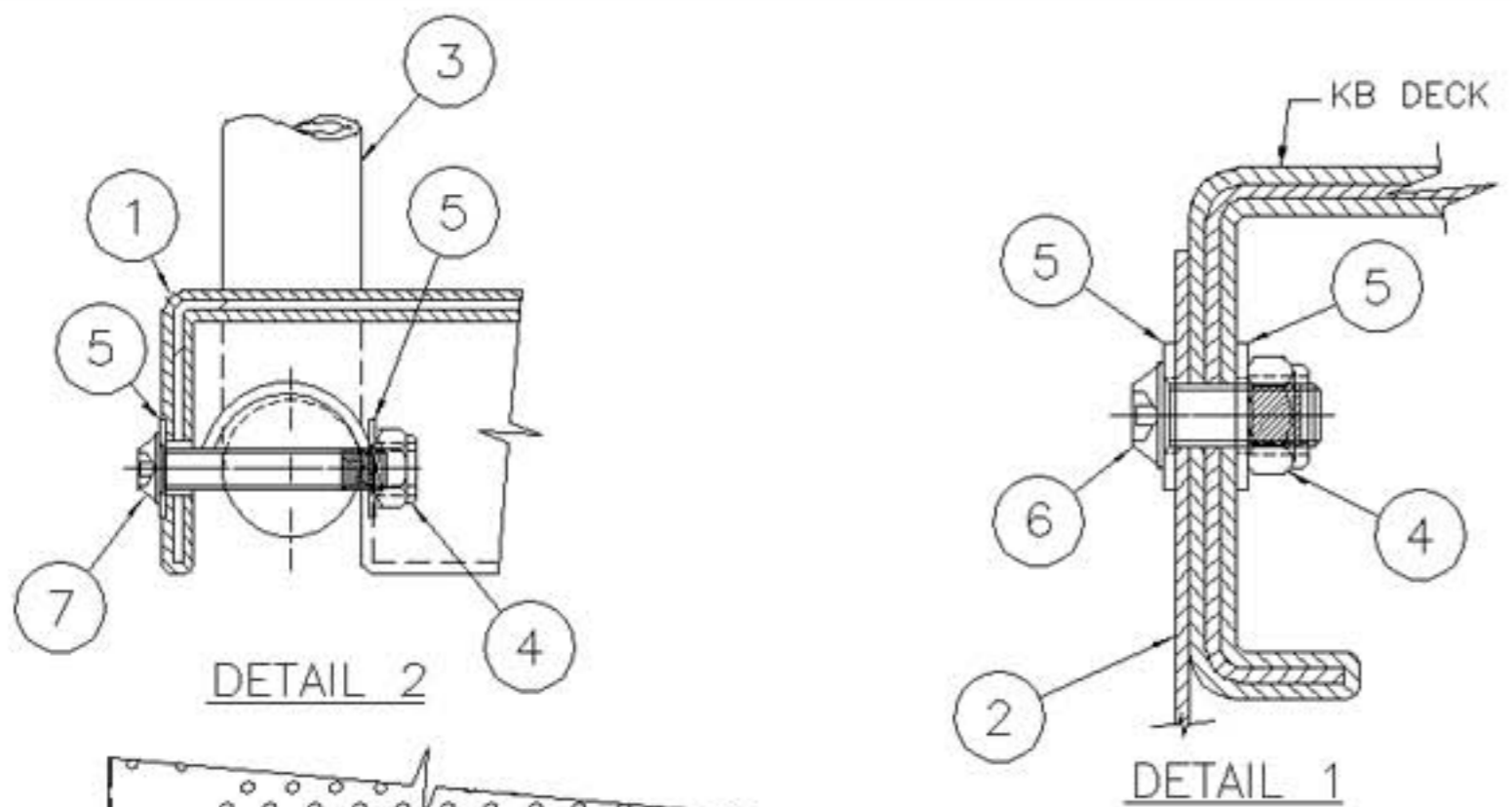


## HOODED RAIL CLAMP

ITEM	DRG. REF	DESCRIPTION	QTY
1	-	CLAMP HALF W/HOODED RAIL ATTACHMENT ZN	1
2	-	CLAMP HALF W/O WELDED ATTACHMENT ZN	1
3	200002018	SCREW MACH. BUTTONHEAD M10 X 1.5 X 25mm	2
4	200001966	T-NUT SLAB BASE M10 X 1.5 X 9.5mm	2



AUTHORIZED BY:  
*Joe Mitchell* 02JUN08



- 305[12"] ONE STEP DECK  
200006950
- 203[8"] ONE STEP DECK  
200006949
- DECK 1-STEP 205/8" KB (SMALL HOLES)  
200200410
- DECK 1-STEP 305-12" KB (SMALL HOLES)  
200200411

Item	Code	Description	Qty.
1a	-	DECK STEP F/ KB W/27mm HOLES	1
1b	-	DECK STEP F/ KB (SMALL HOLES)	1
2a	-	PLATE DK/DK KB 12"/305MM	1
2b	-	PLATE DK/DK KB 8"/203MM	1
3	-	HANDRAIL LOOP F/KB STEP DECKS	2
8	-	KB HOODED RAIL CLAMP	4

HWDR BAG F/KB 1-STEP DECK  
200007751

Item	Code	Description	Qty.
4	200001945	NUT LOCK HEX NYLON INSERTED M10 X 1.5	12
5	200002079	WASHER FLAT M11 23 X 12 X 1.6mm	24
6	200002014	SCREW MACH BUTTONHEAD M10 X 1.50 X 20mm	8
7	200002150	SCREW MACH BUTTONHEAD M10 X 1.50 X 55mm	4

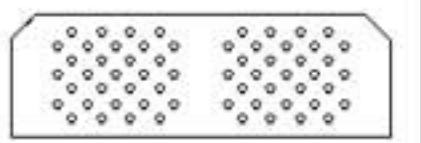
**Application**

- Handicapped accessible (203[8"] model only).
- The highest deck that a 203mm Step Deck can be attached to is a 508[20"].
- The highest deck that a 305mm Step Deck can be attached to is 610[24"].

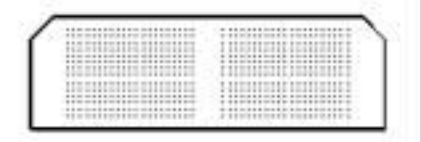
**Installation Instructions**

1. Attach the Deck to Deck plate to the back side of the Step Deck using the hardware shown in DETAIL 1. IMPORTANT: Bolt heads should always be on the plate side.
2. Loosely attach the Hooded Rail Clamps to the posts above and under the deck (refer to front of manual for clamp installation detail).
3. Attach the top of the Deck to Deck Plate to the front of the deck (refer to DETAIL 1).
4. Insert both ends of the handrails into the Clamps and raise into position. (The lower end of the handrail will fit into the Step Deck.)
5. Fasten both sides of the Step Deck to both handrails (refer to DETAIL 2).
6. Tighten all hardware and install clamp drive pins.

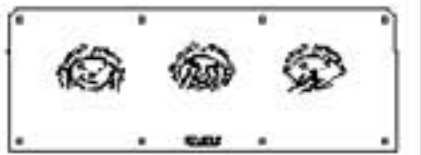
1a



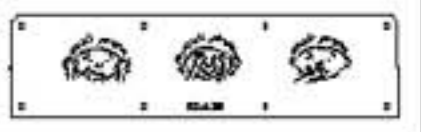
1b



2a



2b



3



AUTHORIZED BY: 04 JUN 08  
*Joe Mitchell*

BALCONY DECK W/ENCL 200006942  
(SMALL HOLE DECK 200200185)  
DECK BALCONY W/STRG WHEEL MOUNT F/KB 200114761  
(SMALL HOLE DECK 200200284)  
DECK BALCONY F/WHL CHAIR ACCESS F/KB 200121064  
(SMALL HOLE DECK 200200285)

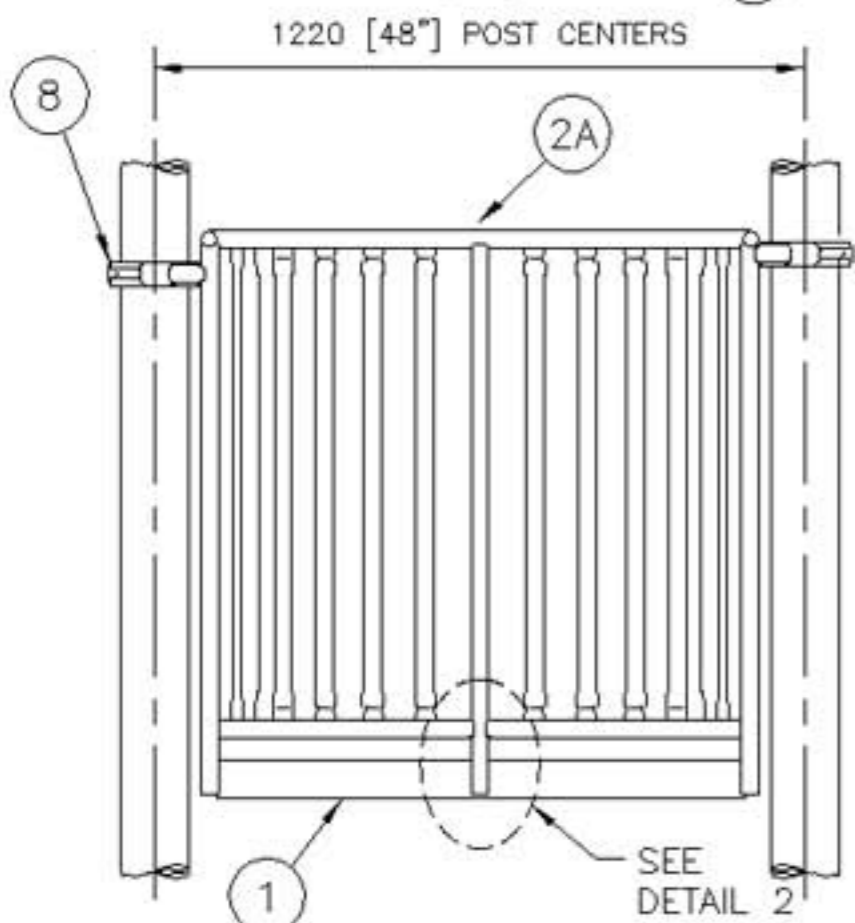
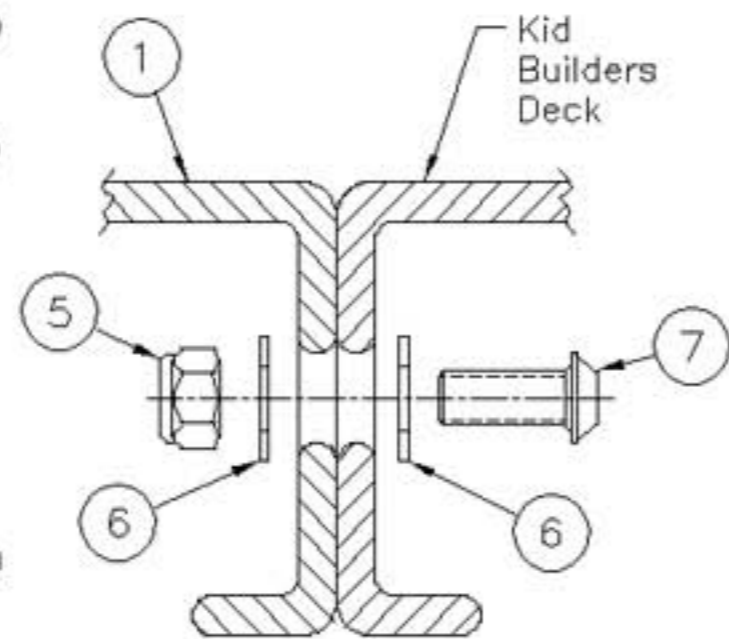
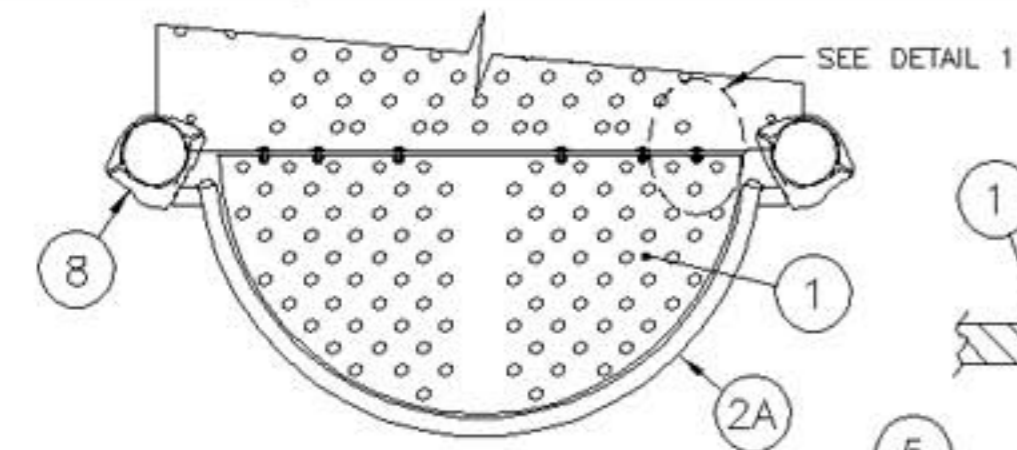
Item	Code	Description	Qty.
1A	200023378	DECK BALCONY F/KB W/27mm HOLES TDV	1
1B	200143405	DECK BALCONY KB (TDV) SMALL HOLE	1
2	-	SAFETY RAIL F/KB BALCONY DECK	1
8	-	HOODED RAIL CLAMP KB	2

HDWR BAG F/KB BALCONY DECK 200007713

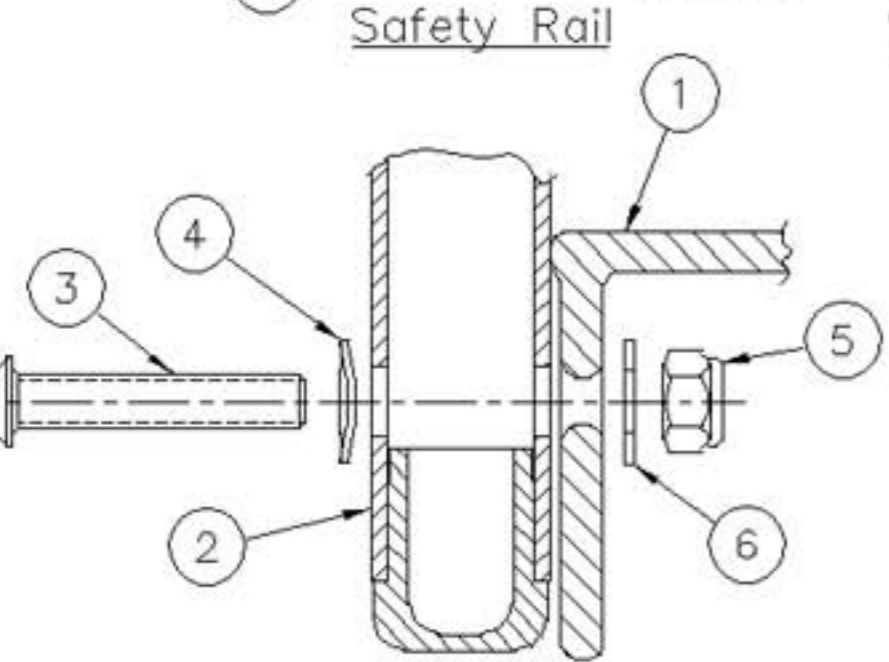
Item	Code	Description	Qty.
3	200002150	SCREW MACH BUTTONHEAD M10 X 1.5 X 55mm	3
4	200008483	WASHER BOWED M11 23.5 X 11.7 X 1.57 mm	3
5	200001945	NUT LOCK HEX NYLON INSERTED M10 X 1.5	9
6	200002079	WASHER FLAT M11 23 X 12 X 1.6mm	15
7	200002018	SCREW MACH BUTTONHEAD M10 X 1.50 X 25mm	6

**Application**  
-For all ages.  
-Install on a deck edge with 1220mm [48"] center to center posts only.

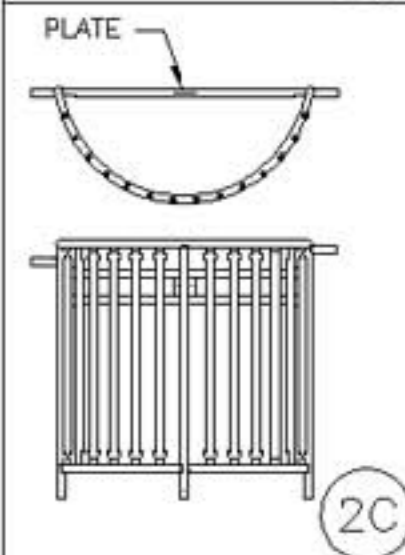
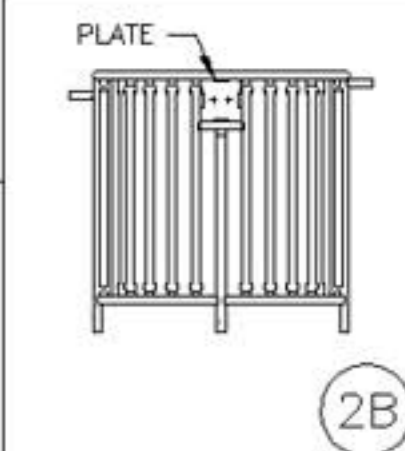
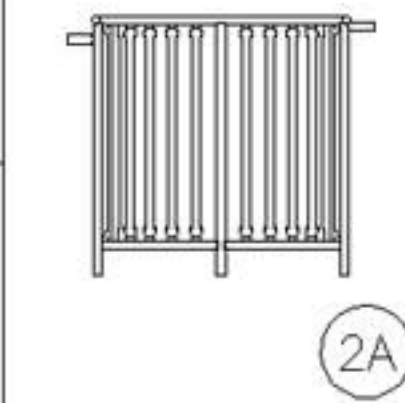
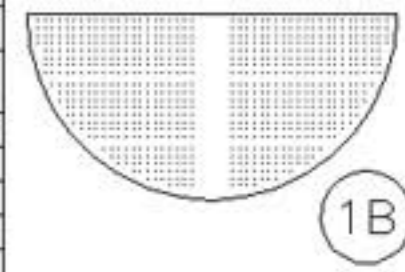
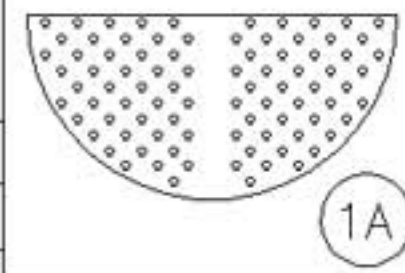
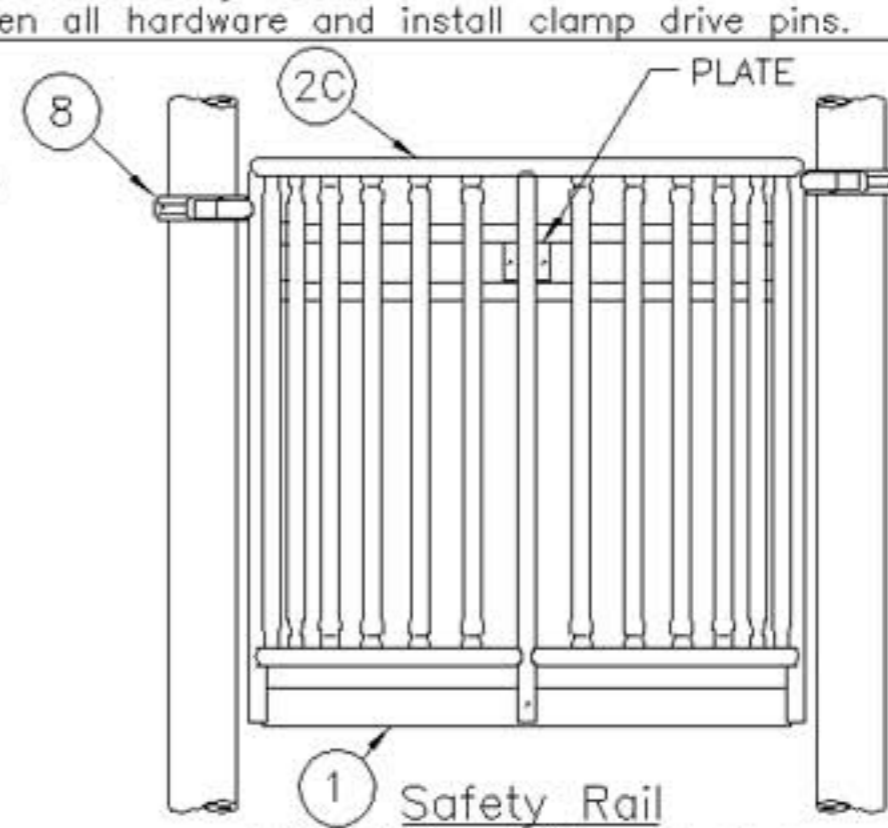
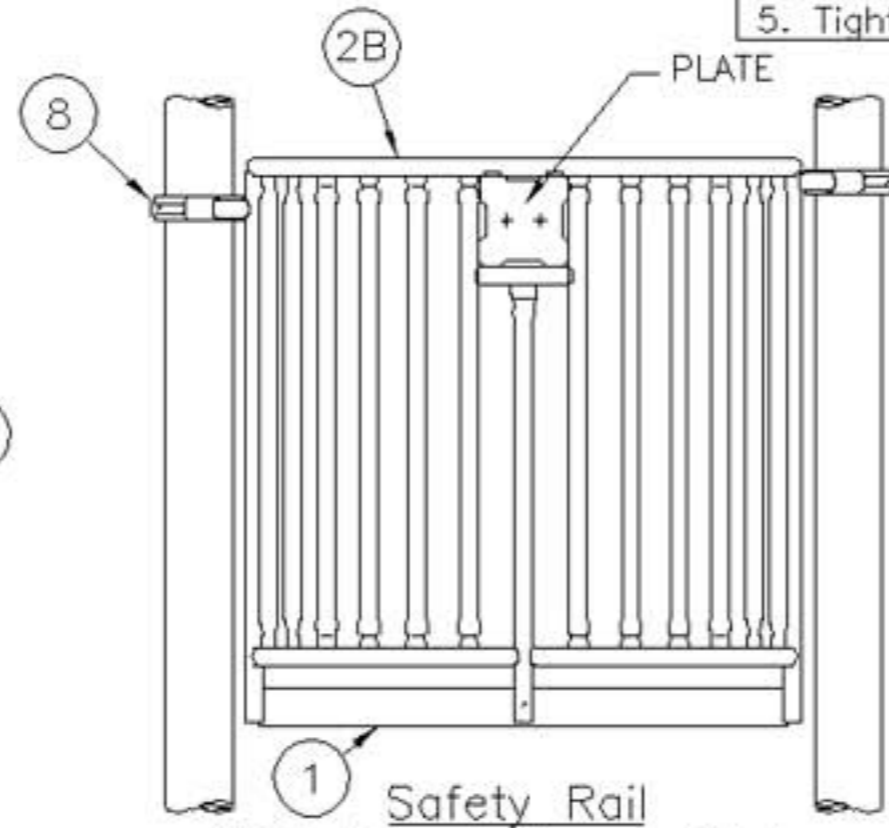
**Installation Instructions**  
1. Attach the Balcony deck to the deck edge (refer to DETAIL 1).  
2. Loosely assemble enclosure to posts using hooded rail clamps (refer to front of manual for clamp installation detail).  
3. Fasten enclosure to balcony deck at three locations (refer to DETAIL 2). Note: do not tighten any of the three until each has been started.  
4. Level the Balcony Deck.  
5. Tighten all hardware and install clamp drive pins.



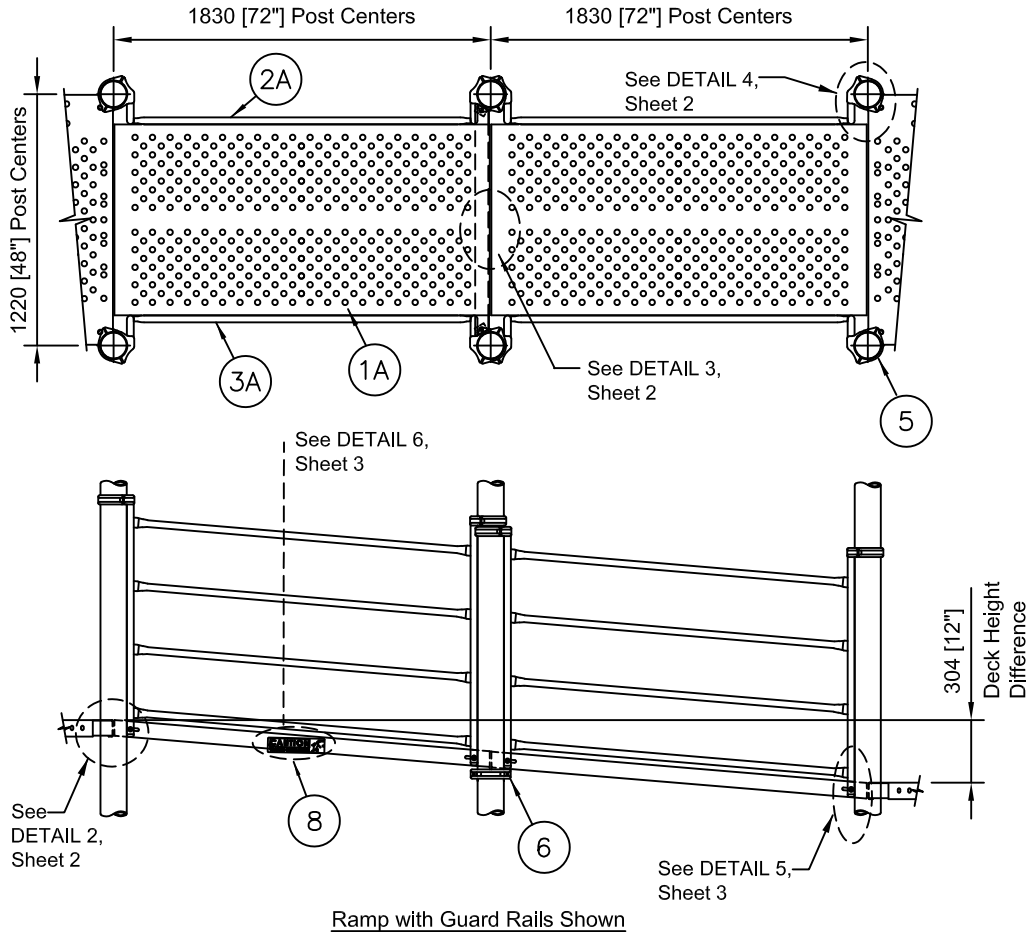
DETAIL 1  
Typ 6 Places



DETAIL 2  
Typ 3 Places





AUTHORIZED BY: 24JAN20  
 Steve Adkins


Ramp with Guard Rails Shown

Mounting Bracket Deck-to-Post

 RAMP 3660 MM/12' W/GUARD RAILS KB - 200006964  
 RAMP 3660 MM/12' W/GUARD RAILS KB (SMALL HOLES) - 200200384  
 RAMP W/TRACKS 3660MM/12'W/GUARD RAILS KB - 200201017

Item	Code	Description	Qty.
1A	910569*	RAMP 1830 MM FOLD DOWN F/KB	
1B	910570*	RAMP 1830MM SMALL HOLE	2
1C	910568*	RAMP W/TRACKS 1830MM F/KB	
2A	911093*	GUARD RAIL F/KB 1836MM RAMP LEFT	2
3A	911094*	GUARD RAIL F/KB 1836MM RAMP RIGHT	2
4	909417*	BRACKET MOUNT F/KB DECK-TO-POST	1
5	909346*	HOODED RAIL CLAMP F/KB	8
6	909383*	DECK CLAMP F/5" TUBE	2
7	117007	WASHER 7/16 FLAT 18-8 SS	2
8	AMC0954	SIGN - CAUTION WATCH YOUR HEAD SIGN	2
9	HW1CLMPSET-1	HRDW PKG F/1SETS O/CLAMPS S1/1	1
10	HW2CLMPSET-1	HRDW PKG F/2SETS O/CLAMPS S1/1	5
11	HW7697-1	HRDW PKG KB DK/PST MT BRKT S1/1	1
12	HW7698-1	HRDW PKG KB 12FT RAMP L1/1	1

 RAMP 3660 MM/12' W/SAFETY RAILS KB - 200006963  
 RAMP 3660 SMALL HOLE W/SAFE,RAILS KB - 200200047  
 RAMP W/TRKS 3660MM/12'W/SAFETY RSL KB - 200201018

Item	Code	Description	Qty.
1A	910569*	RAMP 1830 MM FOLD DOWN F/KB	
1B	910570*	RAMP 1830MM SMALL HOLE	2
1C	910568*	RAMP W/TRACKS 1830MM F/KB	
2B	911090*	SAFETY RAIL F/KB (HC) 1836MM RAMP LEFT	2
3B	911091**	SAFETY RAIL F/KB (HC) 1836MM RAMP RIGHT	2
4	909417*	BRACKET MOUNT F/KB DECK-TO-POST	1
5	909346*	HOODED RAIL CLAMP F/KB	8
6	909383*	DECK CLAMP F/5" TUBE	2
7	117007	WASHER 7/16 FLAT 18-8 SS	2
8	AMC0954	SIGN - CAUTION WATCH YOUR HEAD SIGN	2
9	HW1CLMPSET-1	HRDW PKG F/1SETS O/CLAMPS S1/1	1
10	HW2CLMPSET-1	HRDW PKG F/2SETS O/CLAMPS S1/1	5
11	HW7697-1	HRDW PKG KB DK/PST MT BRKT S1/1	1
12	HW7698-1	HRDW PKG KB 12FT RAMP L1/1	1

HRDW PKG F/1SETS O/CLAMPS S1/1 - HW1CLMPSET-1

Item	Code	Description	Qty.
13A	200002018	SCREW MACH BUTTONHEAD M10 X 1.50 X 25MM	2
14A	20000797	HAMMER DRIVE PIN 4.7 X 11.11MM	2
15A	200001966	T-NUT SLAB BASE M10 X 1.50 X 9.5MM	2

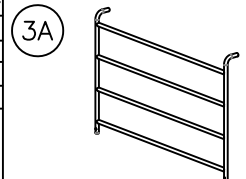
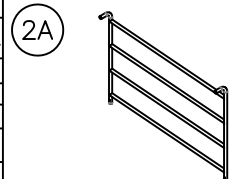
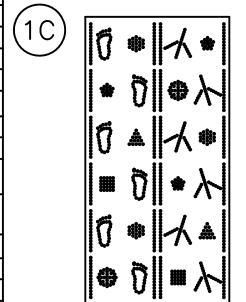
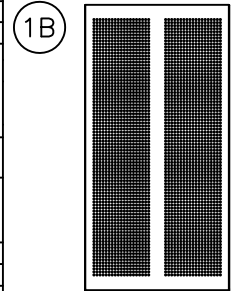
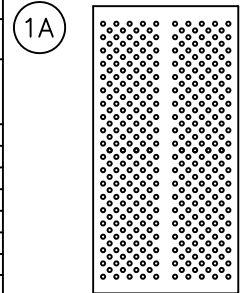
HRDW PKG F/2SETS O/CLAMPS S1/1 - HW2CLMPSET-1

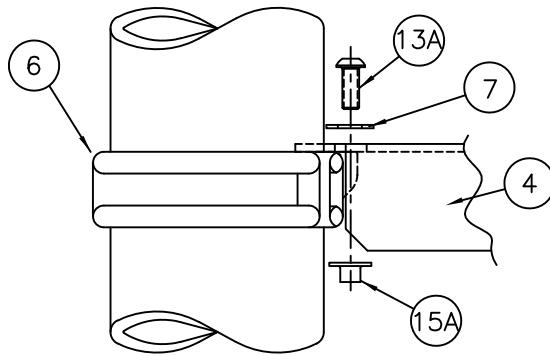
Item	Code	Description	Qty.
13B	200002018	SCREW MACH BUTTONHEAD M10 X 1.5 X 25MM	4
14B	20000797	HAMMER DRIVE PIN 4.7 X 11.11MM	4
15B	200001966	T-NUT SLAB BASE M10 X 1.50 X 9.5MM	4

HRDW PKG KB DK/PST MT BRKT S1/1 - HW7697-1

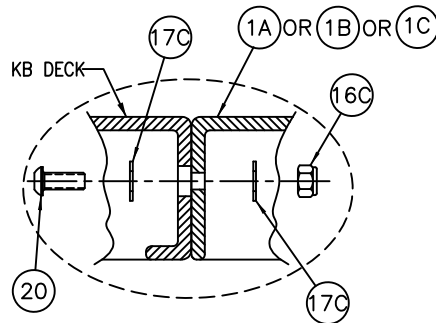
Item	Code	Description	Qty.
13C	200002018	SCREW MACH BUTTONHEAD M10 X 1.5 X 25MM	6
16A	200001945	NUT LOCKHEX NYLON INSERTED M10 X 1.5	6
17A	200002079	WASHER FLAT M11 23 X 12 X 1.6MM	6
18A	925963	WASHER 3/8 FLAT 1-1/8 X 7/16 X 3/32	6

Note:

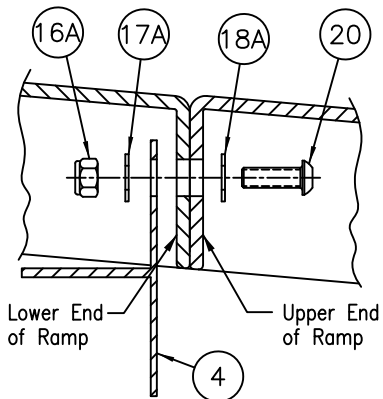
 - An (\*) by a part number (CODE) indicates: Color Code Required.  
 - BOM, part descriptions, Application and Installation Instructions are continued on Sheet 2.




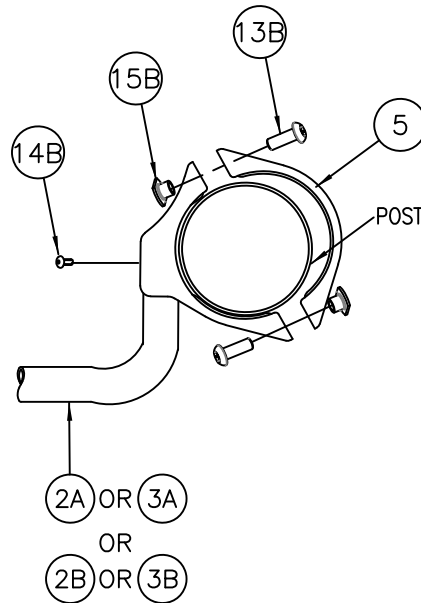
**DETAIL 1**  
Typ 2 Places



**DETAIL 2**  
Typ 6 Places  
Each End of Deck



**DETAIL 3**  
Typ 6 Places



**DETAIL 4**  
Typ 4 Places

HRDW PKG KB 12FT RAMP L1/1 - HW7698-1

Item	Code	Description	Qty.
16C	200001945	NUT LOCK HEX NYLON INSERTED M10 X 1.5	26
17C	200002079	WASHER FLAT M11 23 X 12 X 1.6MM	8
18	200002150	SCREW MACH BUTTONHEAD M10 X 1.5 X 55 MM	8
19	200008483	WASHER BOWED M11 23.5 X 11.7 X 1.57 MM	8
20	200002030	SCREW MACH BUTTONHEAD M10 X 1.50 X 30MM	18
21	200126822	RIVET POP ALUM. 1/8" X 1/4" PRADA44D	4
22	925963	WASHER 3/8 FLAT 1-1/8 X 7/16 X 3/32	30

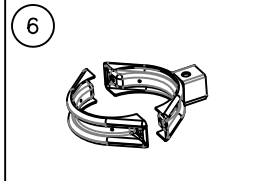
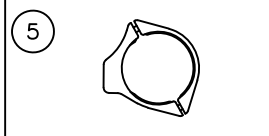
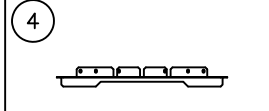
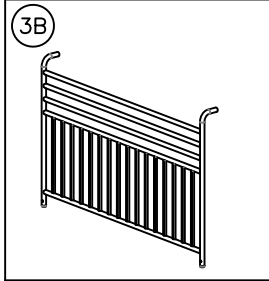
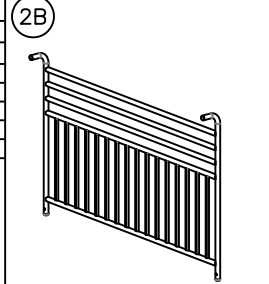
Application

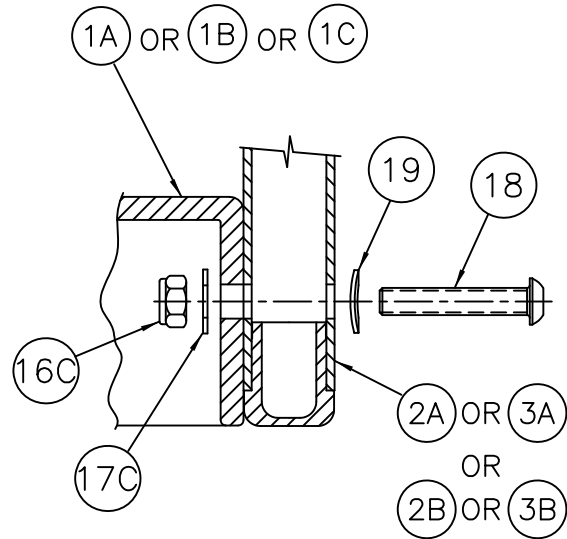
- This is a platform event and can be installed at various heights. Refer to your layout drawing.

- Ramp is designed for a 304mm [12"] rise only.

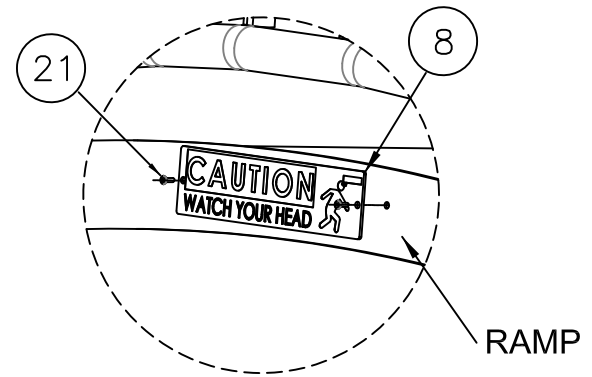
Installation Instructions

1. Prepare footings per separate Footing Layout, install posts and loosely attach any adjoining structures per separate Construction Drawings.
2. Loosely attach deck clamps (Item 6) to posts and attach mounting bracket (Item 4) to deck clamps, DETAIL 1. The hardware used to attach deck clamps to post will be supplied with the deck clamp.
3. Loosely attach the upper end of the ramp (Item 1A, 1B or 1C) to the deck, DETAIL 2.
4. Loosely attach the lower end of the ramp and upper end of the lower ramp to the mounting bracket, DETAIL 3. Position clamps, mounting bracket and ramps at the proper height, tighten all hardware and install clamp drive pins provided with clamps.
5. Loosely assemble guard rails (Items 2A and 3A) or safety rails (Items 2B and 3B) to the rail clamp (Item 5), DETAIL 4. Do not install clamp drive pin at this time.
6. Loosely assemble guard rails (Items 2A and 3A) or safety rails (Items 2B and 3B) to the ramps, DETAIL 5, Sheet 3.
7. Locate the most likely path for a user to take underneath the ramp and position the sign (ITEM 8) perpendicular to this path. Make sure the location is readily visible. Use the sign as a template to mark where to drill the two (2) holes on both sides of the ramp; drill the two (2) holes using a 1/8" bit. Install the sign on both sides of the ramp, DETAIL 6, Sheet 3.
8. Make sure the guard or safety rails are even and plumb and the ramps are level. Tighten all hardware and install clamp drive pins.
9. Complete footings and install resilient surfacing.



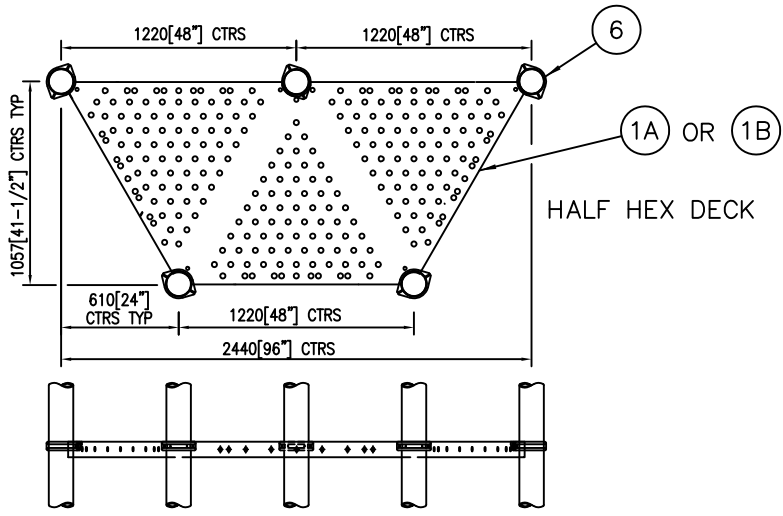
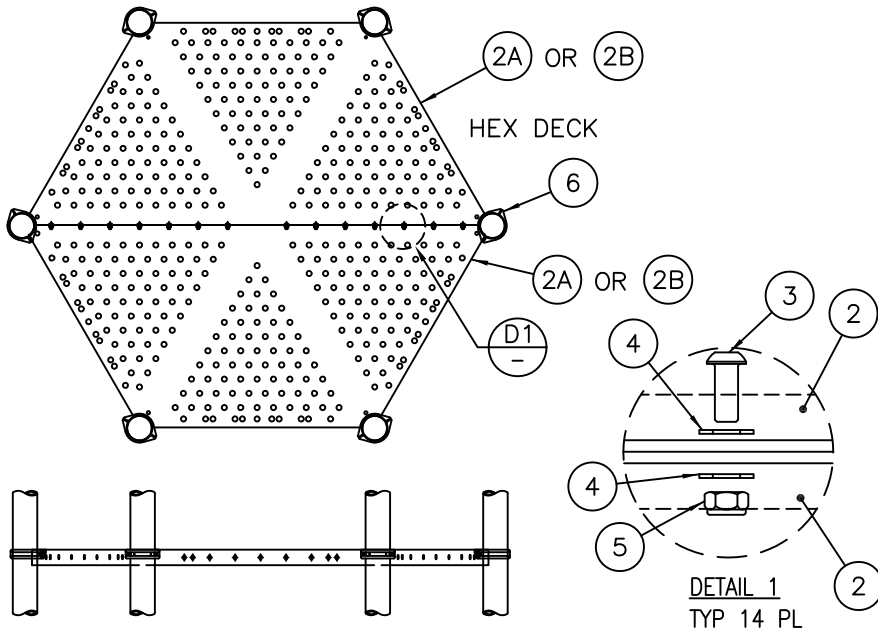


DETAIL 5  
Typ 8 Places



DETAIL 6

AUTHORIZED BY: 08JUN17  
Tracy Archer



NOTE: FOR UNDERSURFACING & FOOTINGS REFER TO SEPARATE INSTRUCTIONS

**KB DECK HALF HEX LARGE HOLE 11GA**  
200202496

Item	Code	Description	Qty.
1A	910486P	DECK HALF HEX F/POST 11GA	1
6	909383P	* DECK CLAMP - F/5" TUBE	5

**KB DECK HEX LARGE HOLE 11GA**  
200202492

Item	Code	Description	Qty.
2A	910480P	HALF OF WHOLE DECK W/27 MM HOLES	2
6	909383P	* DECK CLAMP - F/5" TUBE	6

**KB DECK HALF HEX SMALL HOLE 11GA**  
200202500

Item	Code	Description	Qty.
1B	910489P	DECK HALF HEX F/POST (TDV) SMALL HOLE	1
6	909383P	* DECK CLAMP - F/5" TUBE	5

**KB DECK HEX SMALL HOLE 11GA**  
200202497

Item	Code	Description	Qty.
2B	910481P	DECK 1/2 WHOLE HEX KB (TDV) SMALL HOLE	2
6	909383P	* DECK CLAMP - F/5" TUBE	6

**HRDW PKG LVL DK NSTLLTN S1/1**  
HW7690-1

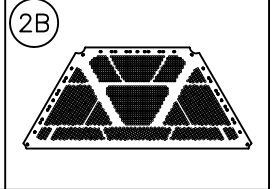
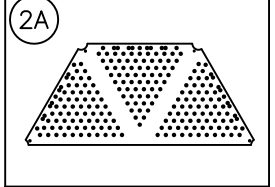
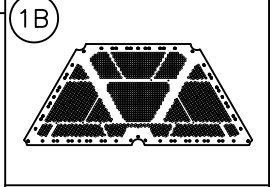
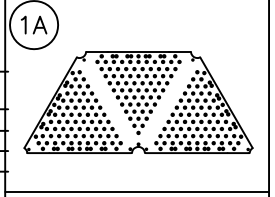
Item	Code	Description	Qty.
3	200002018	SCREW MACH BUTTONHEAD M10 X 1.50 X 25MM	8
4	200002079	WASHER FLAT M11 X 12 X 1.6MM	16
5	200001945	NUT LOCK HEX NYLON INSERTED M10 X 1.5	8

\* SEE DECK CLAMP DETAILS IN THE FRONT OF THE MANUAL.

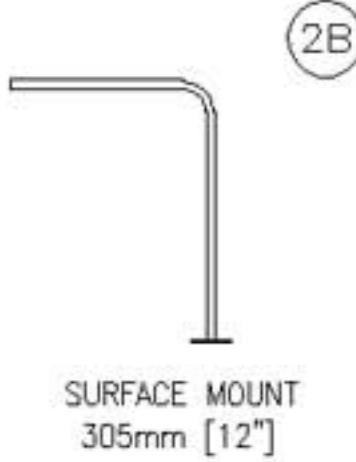
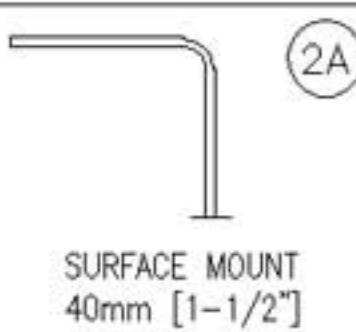
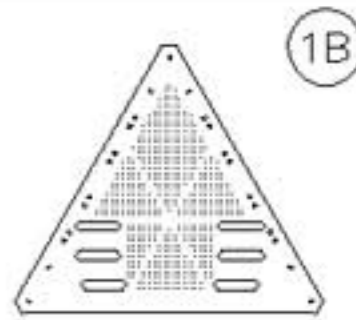
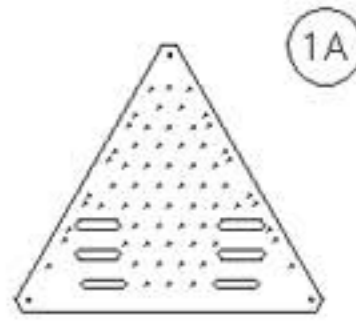
**Installation Instructions**

1. Position posts to proper locations or footing holes as specified by the playground layout drawing and the footing details in the front of this manual.
2. Measure and mark the height of each clamp on posts. The top of the clamp will be 13mm[1/2"] below the deck. IMPORTANT: When marking posts, allow for finished grade and resilient surfacing as specified in the footing details.
3. Fasten \*clamps to posts. (SEE DECK CLAMP DETAILS IN THE FRONT OF THE KB MANUAL.) Do NOT drill for hammer drive pins yet.
4. Attach deck to clamps. Assemble the two hex deck pieces mechanically as shown. Re-check levelness and deck height.
5. Tighten all hardware and drive pin clamps to posts. When installing a Whole Hex Deck or installing additional decks at the same height, always install the first deck by attaching it to posts with deck clamps in all locations. Additional decks cannot share clamps with the first deck and will have to be assembled together mechanically as shown in detail. In all other locations where clamp space is available on the post, attach the deck with clamps.
6. Plumb and level decks and posts. If surface mounting, anchor bolt posts to concrete. If installing inground, make sure posts are at the proper height and complete footings.
7. After concrete has cured, backfill with earth and install ground cover.

**Application**  
AGE GROUPS (2-12 YEAR OLDS)  
- Decks are considered platform events and can be used by all ages if installed at an appropriate height for the particular age group.  
- A deck above 508mm [20"] must have an enclosure for ages 2-5 max. height difference between adjacent decks is 305mm[12"] without alternative means of access.  
- A deck above 762mm[30"] must have an enclosure for ages 5 to 12 max. height difference between adjacent decks is 406mm[16"] without alternative means of access.



AUTHORIZED BY:  
*Eric Clinton* 04APR11



**TRANSITION LOOP**  
200013919  
KB TRANS STAT(DK W/LOOP)11GA  
200202548  
KB TRANS STAT(DK W/LOOP)(SM HL)11GA  
200202549

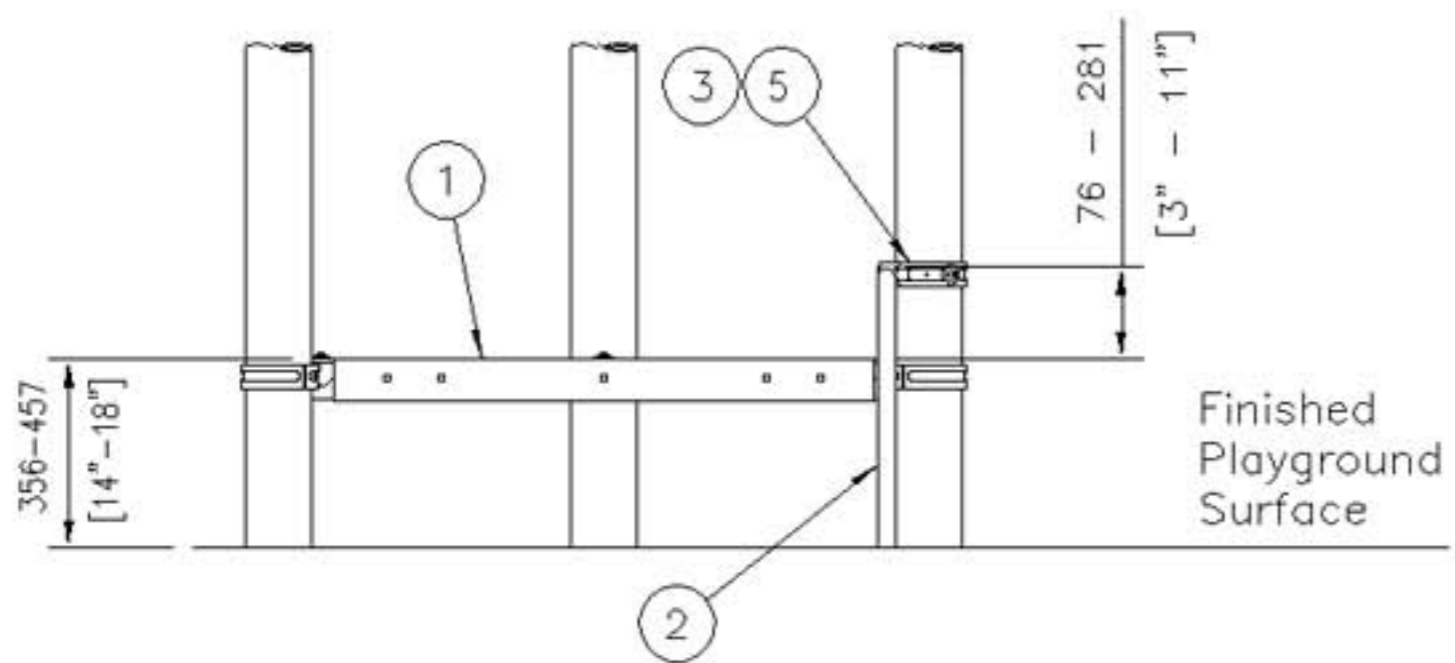
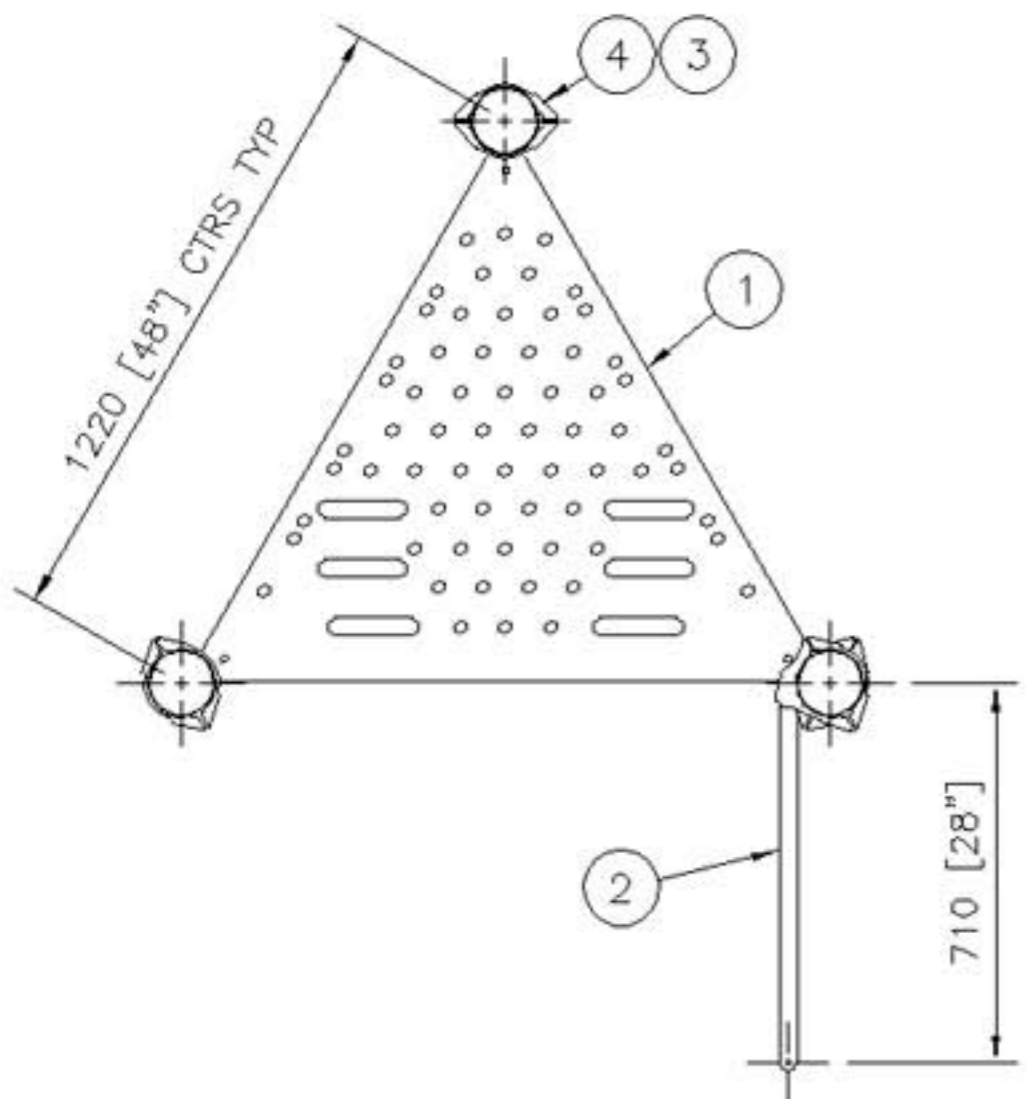
Item	Code	Description	Qty.
1A	-	DECK TRIANGLE TRANSFER KB W/27 MM HOLES	1
1B	-	DECK TRIANGLE TRANSFER KB (SMALL HOLES)	1
2A	-	KB TRANSFER LOOP SURFACE MT 40MM	1
2B	-	KB TRANSFER LOOP SURFACE MT 305MM	
2C	-	KB TRANSFER LOOP INGROUND	
3	200000797	HAMMER DRIVE PIN 4.7 X 11.11 MM	9
4	-	KB-DECK CLAMP ASSEMBLY	3
5	-	KB HOODED RAIL CLAMP ASSEMBLY	1
6 *	200001776	ANCHOR CONCRETE WEDGE M10 X 1.50 X 100 MM	4

\* USED WITH SURFACE MOUNT ONLY

**Application**  
-For ages 2-12 years  
-Deck top must be installed between 356 and 457 mm [14" and 18"].  
-Loop must be installed on a post near hand hold slots on deck.

**Installation Instructions**

1. Prepare footings.
2. Attach deck to posts (refer to deck installation instruction for assembly).
3. Loosely attach the hooded rail clamp to post.
4. Insert loop into hooded rail clamp (refer to the front of the manual for clamp installation detail).
5. Tighten all hardware and install clamp drive pins.
6. Complete footings and install resilient surfacing.



NOTE: FOR UNDERSURFACING & FOOTINGS REFER TO SEPARATE INSTRUCTIONS



## ELEVATED TRANSFER DECK

**IMPORTANT!** Prior to installation of any components refer to the front of the Kid Builders Playground manual. The Kid Builders Playground *Installation Manual* will provide important tips pertaining to site requirements, footings, hardware and other necessary information vital to the success of your installation.

KB100066  
Model 200203509  
ELEVATED TRANSFER DECK



ELEVATED TRANSFER DECK

KB100066



# ELEVATED TRANSFER DECK

ELEVATED TRANSFER DECK

<i>MODEL 200203509</i>		
CODE	DESCRIPTION	QTY
924059P	SLIDE TRANSFER RAILING WLDMT	2
924065P	SLIDE TRANSFER SUPT WLDMT	2
924068P	SLIDE TRANSFER DECK SURFACE	1
923355P	HRDW BAG F/SLIDE TRNSFR	1
	<i>HRDW BAG F/SLIDE TRNSFR - 923355P</i>	
200142930	ROD THREADED M8 X 100MM-PARTS ROOM	2
905576P	CLAMP HALF W/O WELDED ATTACH	4
HW923355-1	HRDW PKG SLIDE TRNSFR M1/1	1
HW2CLMPSET-1	HRDW PKG F/2SETS O/CLAMPS S1/1	2
	<i>HRDW PKG SLIDE TRNSFR M1/1 - HW923355-1</i>	
200002145	BOLT M8 X 1.25 FEMALE 10.3 X 30MM	8
200002079	WASHER FLAT M11 23 X 12 X 1.6MM	8
200008483	WASHER BOWED M11 23.5 X 11.7 X 1.57MM	4
200002133	BOLT M8 X 1.25 MALE 27.5MM	4
	<i>HRDW PKG SLIDE TRNSFR M1/1 - HW2CLMPSET-1</i>	
200002018	SCREW MACH BUTTONHEAD M10 X 1.50 X 25MM	4
200000797	HAMMER DRIVE PIN 4.7 X 11.11MM	4
200001966	T-NUT SLAB BASE M10 X 1.50 X 9.5MM	4

THIS SPACE INTENTIONALLY LEFT BLANK

KB100066



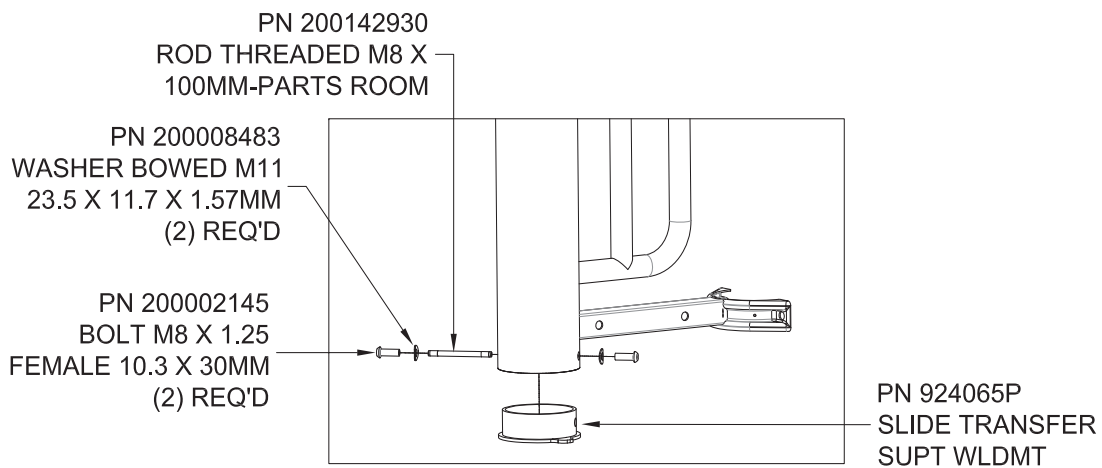
## ELEVATED TRANSFER DECK

### STEP 1 DECK AND POST FOOTINGS

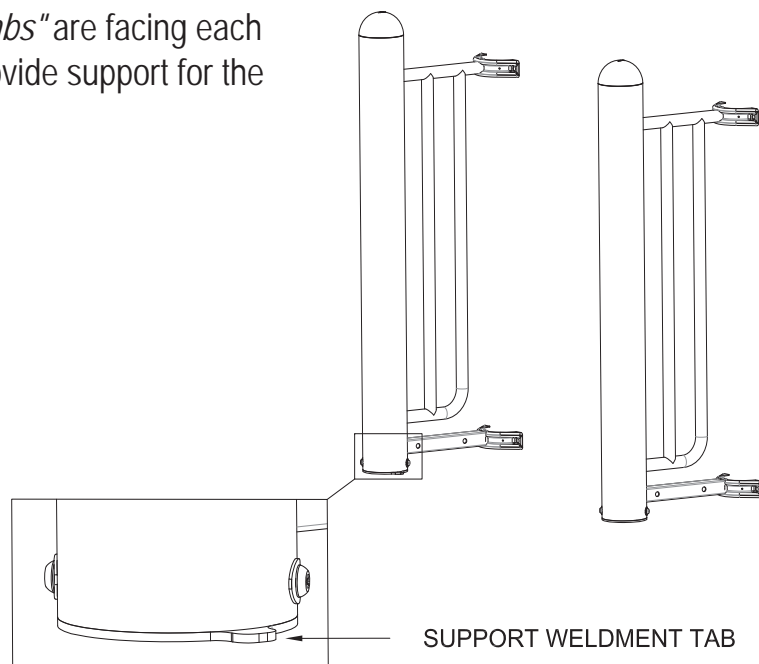
1a. Deck and posts are in place per *Footing Layout* and Construction Drawings.

### STEP 2 ATTACH POST CAPS TO RAILINGS

2a. Attach the post caps to the railings as shown.



2b. Verify post cap "tabs" are facing each other, the tabs provide support for the deck edge.



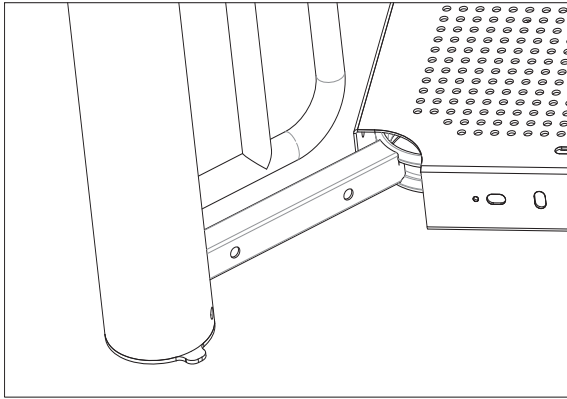




# ELEVATED TRANSFER DECK

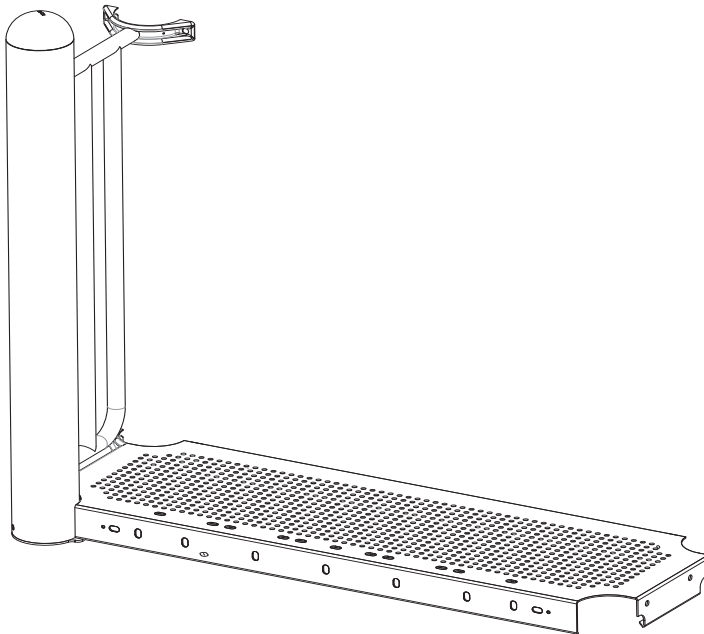
## STEP 3 SLIDE DECK ONTO RAILINGS

3a. Start to slide the deck onto the railings as shown; continue sliding till the posts rest in the rounded pockets.



PN 924068  
SLIDE TRANSFER  
DECK SURFACED

3b. Rotate the railings into place for attachment, ensuring the deck sits on the post cap "tabs".



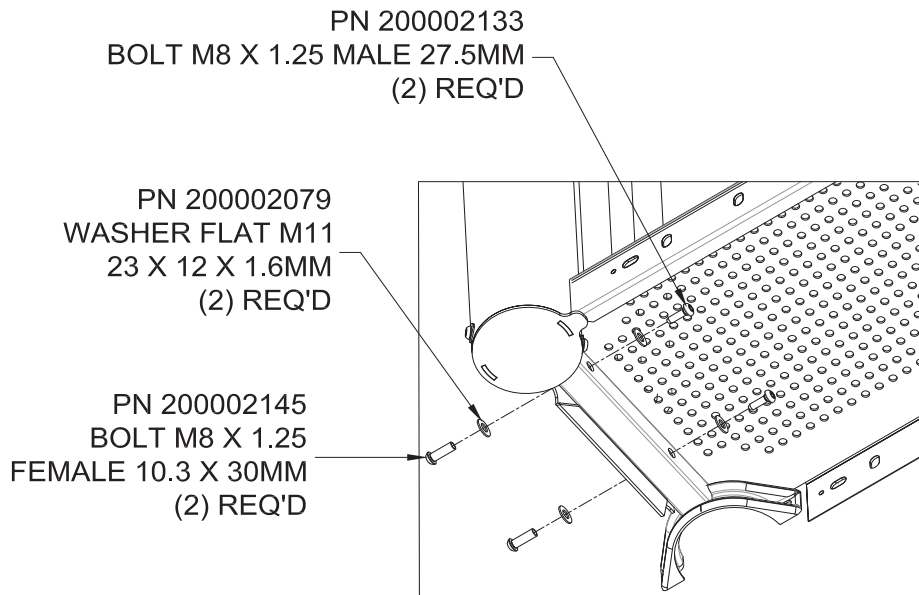


## ELEVATED TRANSFER DECK

### STEP 4 ATTACH DECK TO RAILINGS

4a. Bolt the railings to the deck as shown.

*Note: View is from the underside of the deck and railing.*



### STEP 5 ATTACH RAILING/DECK TO EXISTING POSTS AND KICKPLATE

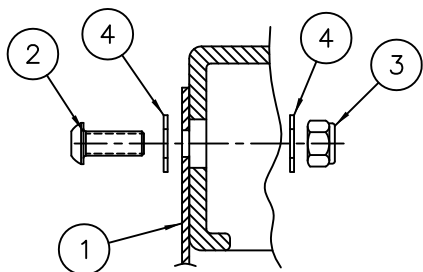
5a. Attach the railing/deck assembly to existing posts, referring to the front of the installation manual, and using the included four (4) half clamps and standard clamp hardware.

5b. Attach to the deck-to-deck plate, referring to its respective instructions, and using its hardware.

### FINAL STEP

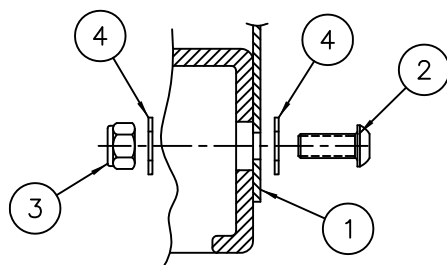
Proceed with *Final Assembly* installation. Plumb and level entire assembly.

AUTHORIZED BY: 13JUN19  
Matt Blisard



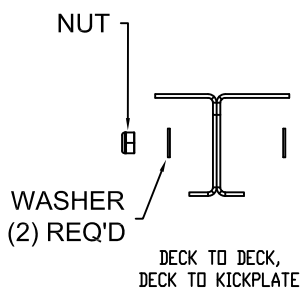
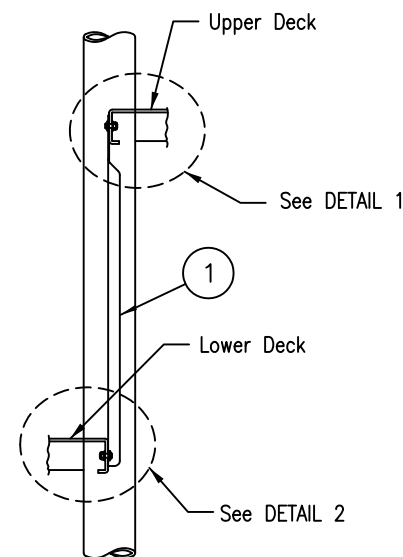
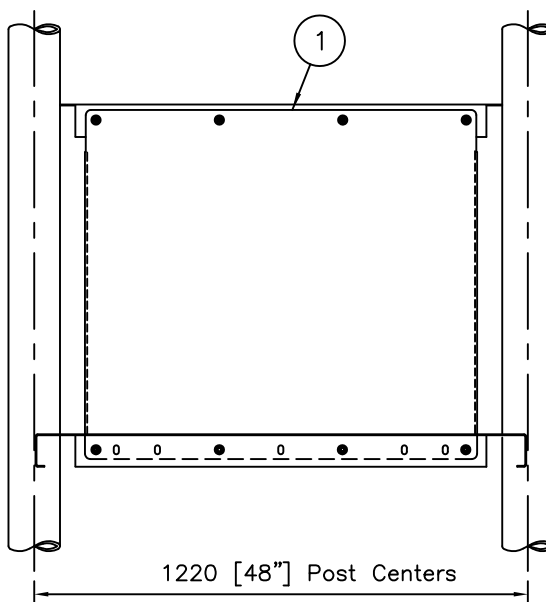
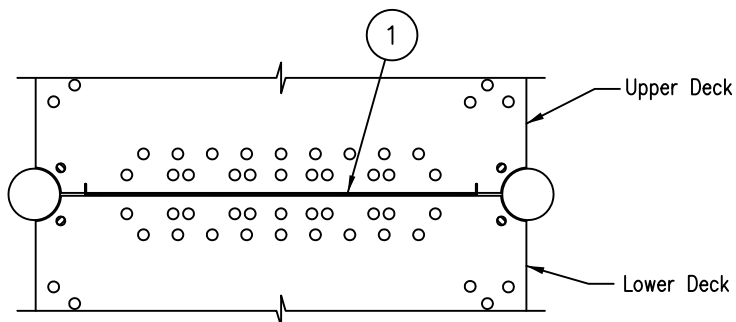
DETAIL 1

Typ 4 Places

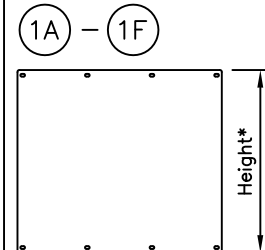


DETAIL 2

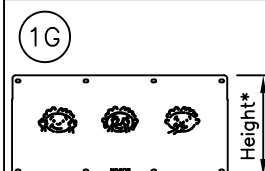
Typ 4 Places



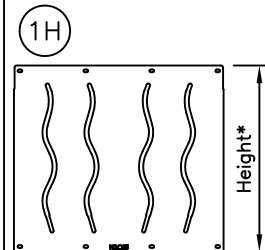
DO NOT OVERTIGHTEN BOLTS OR DAMAGE MAY OCCUR TO THE PVC COATING ON COMPONENTS. BOLTS HAVE A THREAD LOCK PATCH. IT IS NOT NECESSARY THAT THE BOLT EXTEND INTO THE NYLON PORTION OF THE NYLOCK NUT.



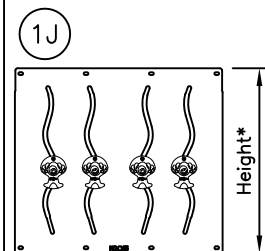
\*Height will vary according to distance between decks



\*Height will vary according to distance between decks



\*Height will vary according to distance between decks



\*Height will vary according to distance between decks



205/305/405/610/710/815 DECK TO DECK PLATES

KB200001E

Sheet 2 of 2

AUTHORIZED BY: 13JUN19  
Matt Blisard

205mm [8"] DK/DK PLATE	100001134		
305mm [12"] DK/DK PLATE	100001137		
405mm [16"] DK/DK PLATE	100001139		
610mm [24"] DK/DK PLATE	100001142		
710mm [28"] DK/DK PLATE	100001144		
815mm [32"] DK/DK PLATE	100001148		
205mm [8"] DK/DK PLATE W/FACES	200200187		
305mm [12"] DK/DK PLATE W/FACES	200200188		
405mm [16"] DK/DK PLATE W/FACES	200200189		
610mm [24"] DK/DK PLATE W/4 SLOTS	200200190		
710mm [28"] DK/DK PLATE W/4 SLOTS	200200191		
815mm [32"] DK/DK PLATE W/4 SLOTS	200200192		
610mm [24"] DK/DK PLATE W/PARA. GUY	200200218		
710mm [28"] DK/DK PLATE W/PARA. GUY	200200219		
815mm [32"] DK/DK PLATE W/PARA. GUY	200200220		
<b>Item</b>	<b>Code</b>	<b>Description</b>	<b>Qty.</b>
1A	200000047	PLATE DK/DK 205MM/8" KB BRN	1
1B	200000049	PLATE DK/DK 305MM/12" KB BRN	
1C	200000051	PLATE DK/DK 405MM/16" KB BRN	
1D	200000053	PLATE DK/DK 610MM/24" KB BRN	
1E	200000056	PLATE DK/DK 710MM/28" KB BRN	
1F	200000058	PLATE DK/DK 815MM/32" KB BRN	
1G	-	PLATE DK/DK W/FACES F/KB	
1H	-	PLATE DK/DK W/4 SLOTS F/KB	
1J	-	PLATE DK/DK W/PARACHUTE GUY F/KB	
<b>HDWR BAG F/KB STEEL KICK PLATES (MM)</b> <b>200007706</b>			
2	200002018	SCREW MACH BUTTON HEAD M10 X 1.50 X 25mm	8
3	200001945	NUT LOCK HEX NYLON INSERTED M10 X 1.5	8
4	200002079	WASHER FLAT M11 23 X 12 X 1.6mm	16

**Application**

- Must be used between all 203mm [8"] and 305mm [12"] increment decks.
- When the lower platform exceeds 706mm [30"] and the upper platform is 228mm [9"] higher, a deck to deck plate must be used for 2-5 year age group.
- When the lower platform exceeds 1220mm [48"] and the upper platform is 228mm [9"] higher, a deck to deck plate must be used for 5-12 year age group.

**Installation Instructions**

1. Install posts and decks. Make sure the decks are level and at the proper height.
2. Attach the top of the Deck to Deck Plate to the front of the upper deck. See DETAIL 1.
3. Attach the lower portion of the Deck to Deck Plate to the lower deck. See DETAIL 2.

AUTHORIZED BY: *Joe Fritchett* 03JUN08

**BRACKET DECK TO POST KB  
200006959**

Item	Code	Description	Qty.
1	200002884	BRACKET MOUNT BRN F/KB DECK-TO-POST	1
2	-	DECK CLAMP	2
4	200002100	WASHER FLAT M11 320D X 13ID X 2 MM S.S.	2

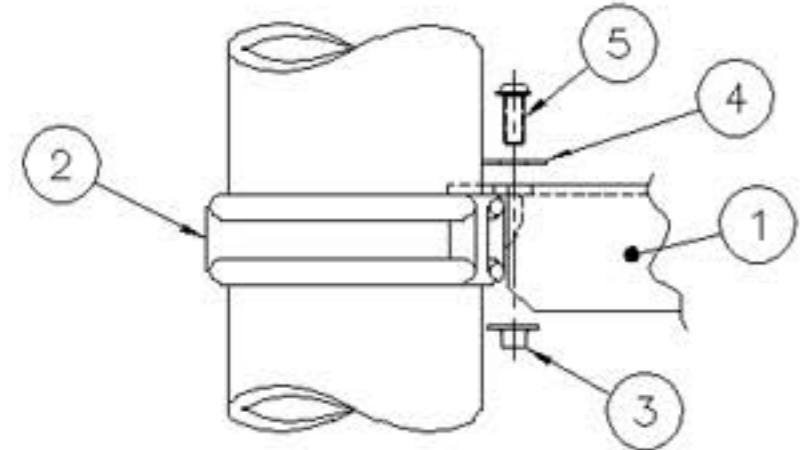
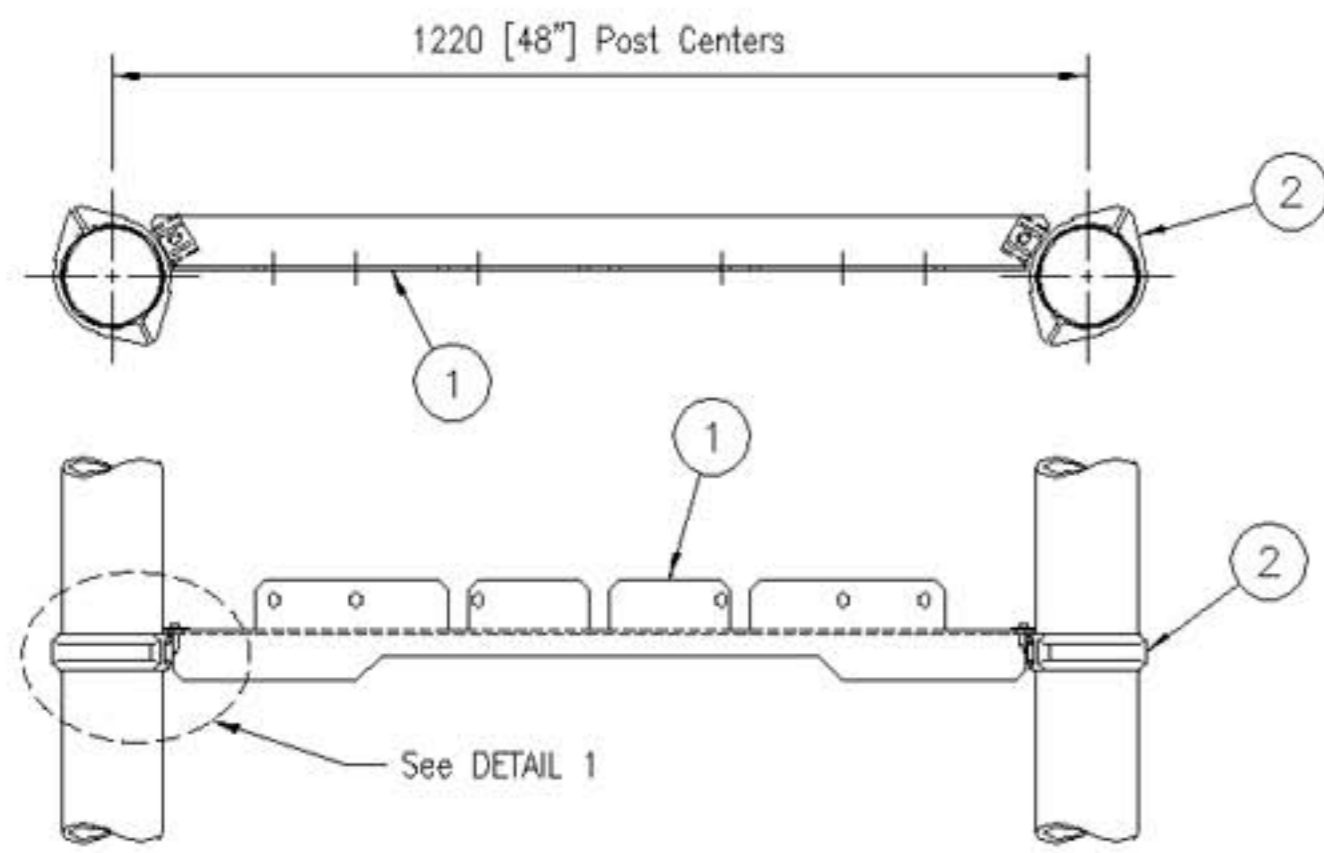
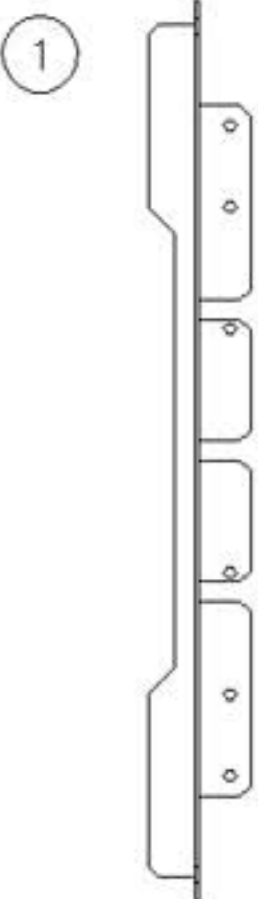
**HDWR BAG KB DECK-TO-POST MT BRKT  
200007697**

Item	Code	Description	Qty.
6	200002018	SCREW MACH BUTTONHEAD M10 X 1.50 X 25MM	6
7	200002079	WASHER FLAT M11 23 X 12 X 1.6	12
8	200001945	NUT LOCK HEX NYLON INSERTED M10 X 1.5	6

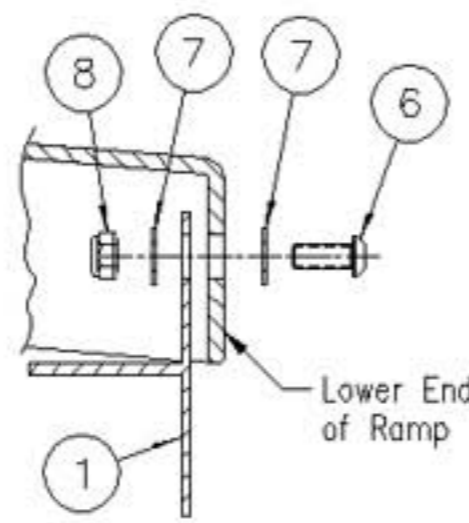
**Application**  
- Designed to install Ramps, multiple Ramps end to end, and to access the Spiral Slide from lower deck heights

**Installation Instructions**

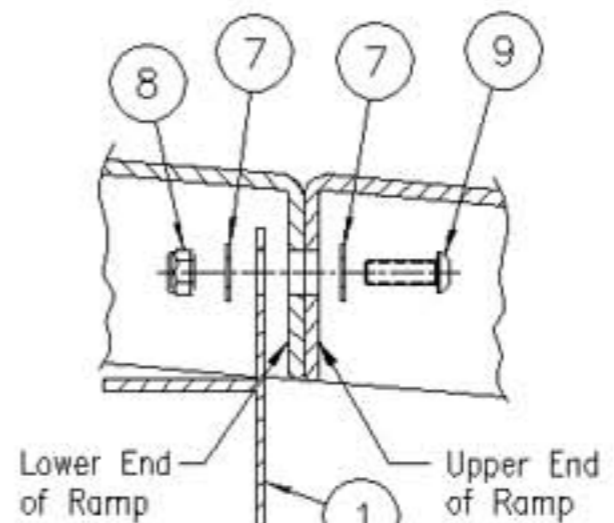
1. Prepare footings.
2. Install posts and loosely attach any adjoining structures.
3. Loosely attach deck clamps to posts (Refer to front of manual for clamp installation detail).
4. Attach mounting bracket to deck clamps (Refer to Detail 1). The hardware used in this view will be supplied with the deck clamp.
5. Position at the proper height, tighten all hardware and install clamp drive pins.
6. Lower the deck or ramp end(s) onto the mounting bracket and install hardware (Refer to Details 2, 3, and 4).
7. Complete footings and install resilient surfacing.



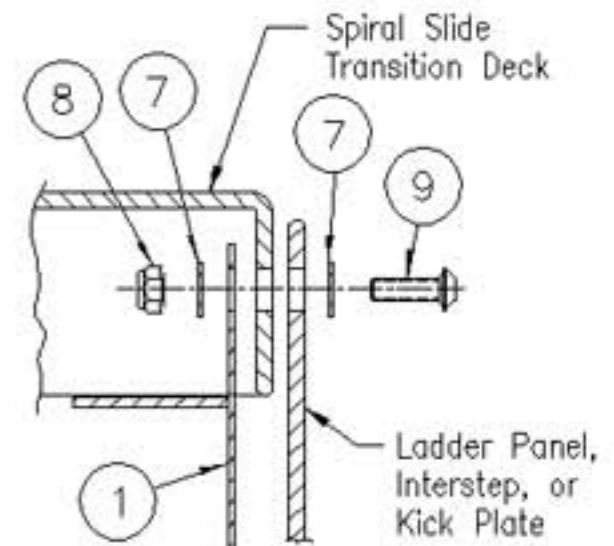
**DETAIL 1**  
Typ 2 Places



**DETAIL 2**  
(Single Ramp)  
Typ 6 Places



**DETAIL 3**  
(Ramp to Ramp)  
Typ 6 Places

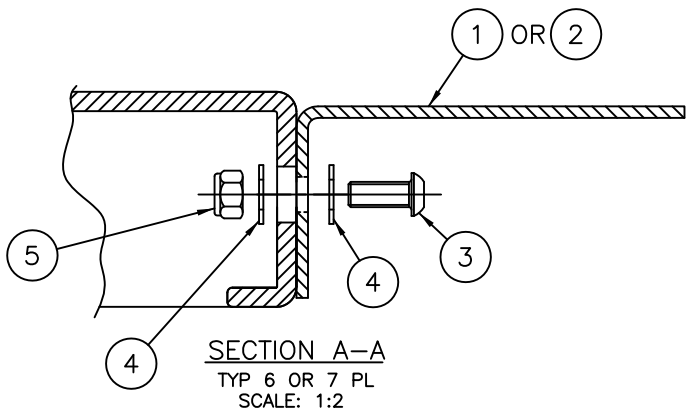
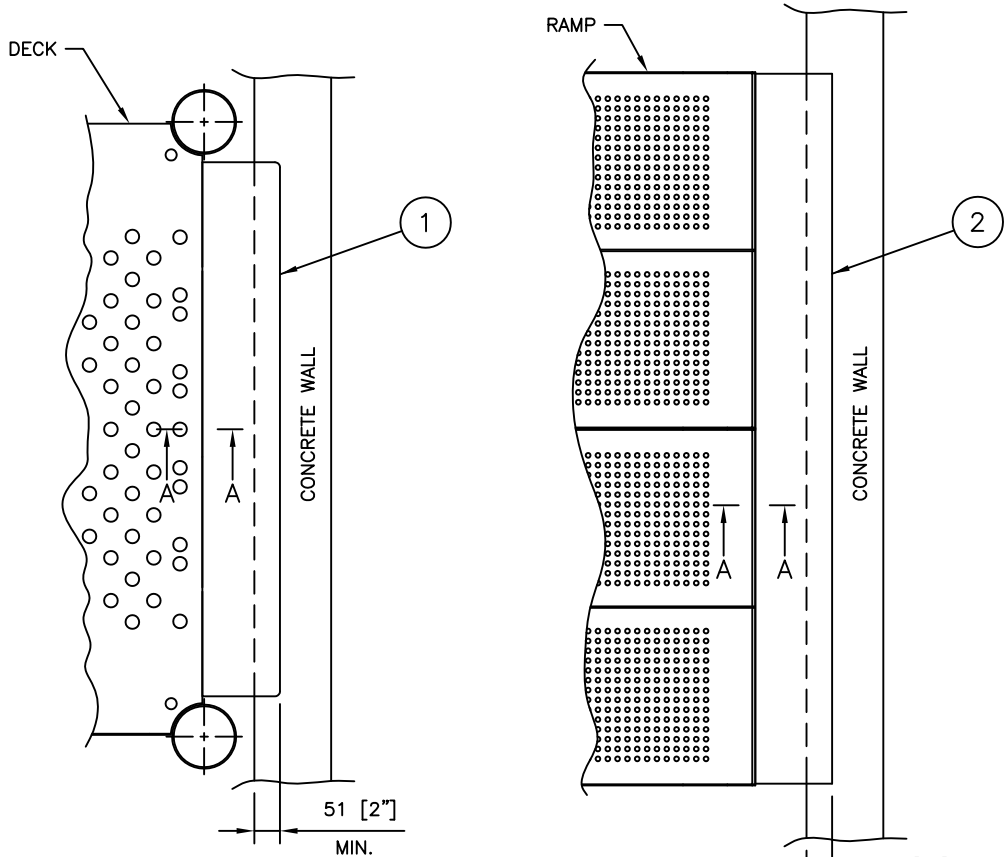


**DETAIL 4**  
(Spiral Slide)  
Typ 4 Places



# KB CONCRETE TRANSITION PLATE

200179777  
KB200016A  
Sheet 1 of 1



NOTE: FOR UNDERSURFACING & FOOTINGS REFER TO SEPARATE INSTRUCTIONS

## PLATE TRANSITION KB 200006956

Item	Code	Description	Qty.
1	-	PLATE TRANS. KB DECK-TO-CONCRETE	1

### HDWR BAG F/KB STEP DECKS/KICK PLATES(MM) 200007689

Item	Code	Description	Qty.
3	200002018	SCREW MACHINE BUTTONHEAD M10 x 1.50 x 25mm	7
4	200002079	WASHER FLAT M11 23 x 12 x 1.6	14
5	200001945	NUT LOCK HEX NYLON INSERTED M10 x 1.5	7

#### Installation Instructions

1. Attach Transition plate to deck edge as shown in SECTION A-A.
2. Attach deck to posts. See appropriate deck and deck clamp installation instructions for details.

## KB TRANS PLATE F/DBL. WD. RAMP 200201321

Item	Code	Description	Qty.
2	-	TRANSITION PLATE F/KB DBL. WD. RAMP	1

### HDWR BAG F/KB DOUBLE WIDE TRANSITION 200170691

Item	Code	Description	Qty.
3	200002018	SCREW MACHINE BUTTONHEAD M10 x 1.50 x 25mm	6
4	200002079	WASHER FLAT M11 23 x 12 x 1.6	12
5	200001945	NUT LOCK HEX NYLON INSERTED M10 x 1.5	6

#### Installation Instructions

1. Attach Transition plate to edge of ramp as shown in SECTION A-A.
2. Attach other end of ramp to deck. See appropriate deck and deck clamp installation instructions for details.

AUTHORIZED BY: \_\_\_\_\_  
DATE \_\_\_\_\_

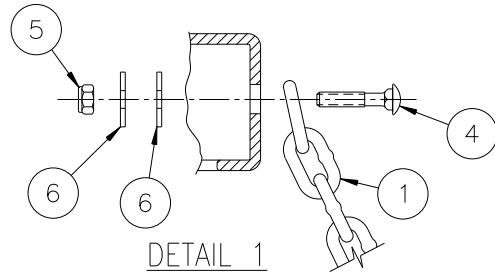
1



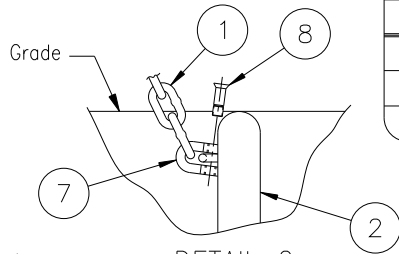
2



AUTHORIZED BY:  
*Chris M. Anthony* 04MAY06

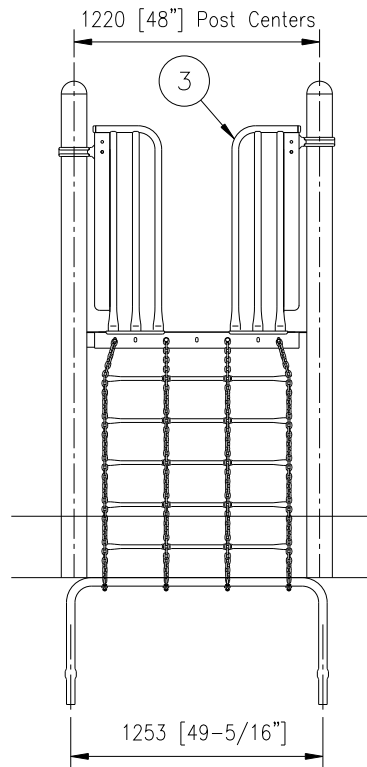
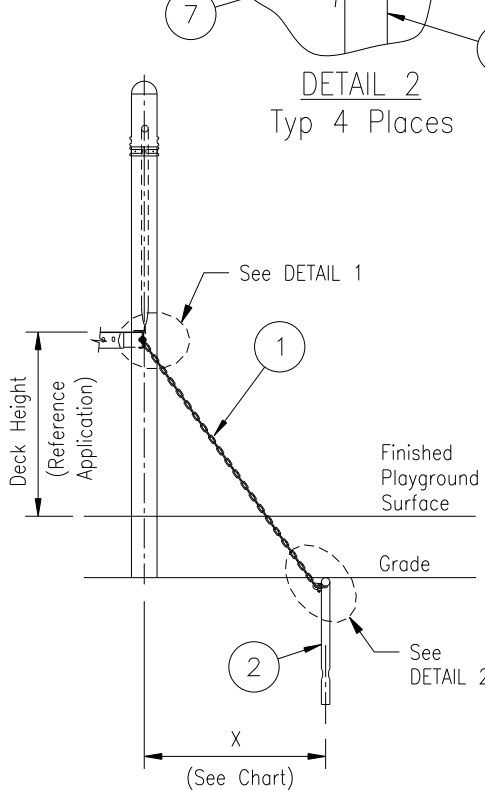


DETAIL 1  
Typ 4 Places



DETAIL 2  
Typ 4 Places

Inground Mount Footing Chart		
Type of Chain Net	Deck Height	'X'
4 Rungs	815 [32"]	1091 [42-15/16"]
4 Rungs	915 [36"]	974 [38-3/8"]
4 Rungs	1015 [40"]	822 [32-3/8"]
5 Rungs	1115 [44"]	1228 [48-3/8"]
5 Rungs	1220 [48"]	1087 [42-13/16"]
5 Rungs	1320 [52"]	923 [36-5/16"]
5 Rungs	1422 [56"]	694 [27-5/16"]
6 Rungs	1525 [60"]	1189 [46-13/16"]
6 Rungs	1625 [64"]	1012 [39-13/16"]
6 Rungs	1725 [68"]	771 [30-3/8"]



- CHAIN NET KB 36"/915 W/HAND LOOPS 200084343
- CHAIN NET KB 36"/915 W/SAFETY LOOPS 200084344
- CHAIN NET KB 48"/1220 W/HAND LOOPS 200084341
- CHAIN NET KB 48"/1220 W/SAFETY LOOPS 200084342
- CHAIN NET KB 64"/1625 W/HAND LOOPS 200084319
- CHAIN NET KB 64"/1625 W/SAFETY LOOPS 200084340

Item	Code	Description	Qty.
1	-	CHAIN NET	1
2	-	BAR GROUND F/KB CHAIN NET CLIMBER	1
3	-	SAFETY LOOP ASSY F/KB WITH 2 WING CLAMPS OR HANDHOLD LOOP ASSY F/KB WITH 4 RAIL CLAMPS	1 SET
4	200001794	BOLT CARRIAGE M10 X 1.50 X 30MM	4
5	200001945	NUT LOCK HEX NYLON INSERTED M10 X 1.5	4
6	200002096	WASHER FLAT M10 340D X 11D X 3 MM THK	8
7	200035993	SHACKLE "D" 41 MM 300 S.S.	4
8	200035994	BOLT M10 X 1.5 X 27 MM 300 SS 6-LOBE	4

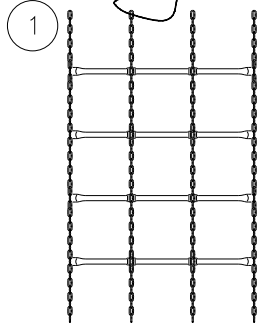
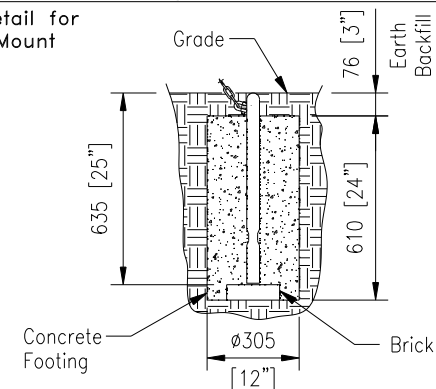
**Application**

- Cannot be used as sole access
- Never install a climber without loops

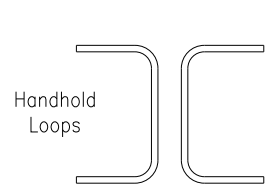
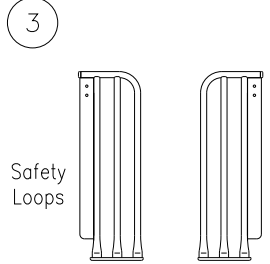
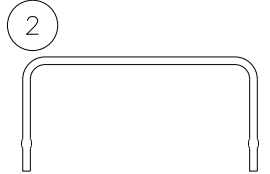
**Installation Instructions**

1. Prepare footings (refer to chart for appropriate locations).
2. Place a brick in the holes.
3. Place the Ground Bar in footing holes. Make sure bar is below grade.
4. Pour concrete in footing holes. Make sure the chain link on the bar is above the top of the concrete so that the D-Shackle can be attached.
5. Install loops. See Safety/Hand Loops instruction KB600005 for details.
6. Attach Chain Net Climber to deck edge as shown in DETAIL 1.
7. Attach D-Shackles to chain and then to links on Ground Bar as shown in DETAIL 2.
8. Install resilient surfacing around climber. Surfacing shall extend in all directions at least 1830mm [72"] from the point at which the climber enters the surfacing.

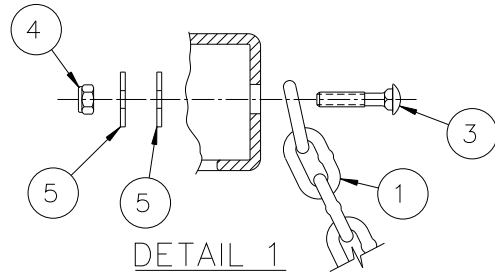
**Footing Detail for Inground Mount**



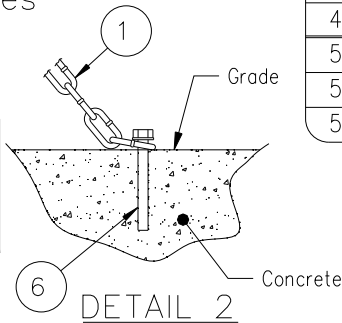
Number of rungs will vary with deck height and footing option



NOTE: FOR UNDERSURFACING & FOOTINGS REFER TO SEPARATE INSTRUCTIONS



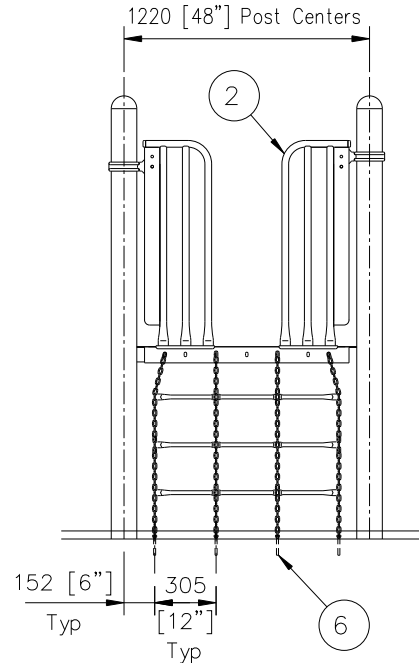
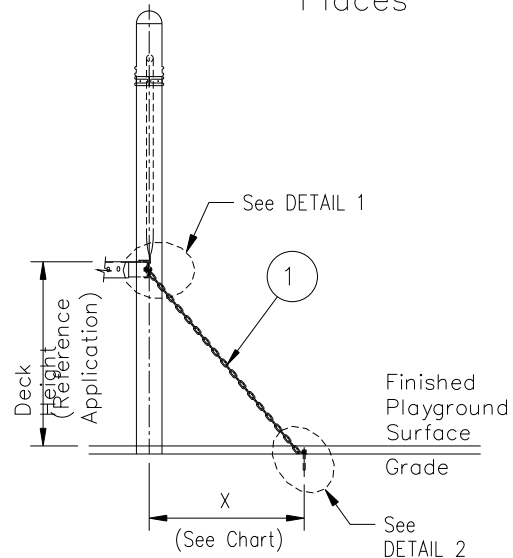
**DETAIL 1**  
Typ 4  
Places



**DETAIL 2**  
Typ 4  
Places

**NOTE:** Anchor bolt to be completely covered by full thickness of tile after ground cover installation.

Type of Chain Net	Deck Height	'X'	40mm [1.5"] G.C.
3 Rungs	815 [32"]	873 [34-3/8"]	
3 Rungs	915 [36"]	784 [30-7/8"]	
3 Rungs	1015 [40"]	645 [25-3/8"]	
4 Rungs	1115 [44"]	1037 [40-13/16"]	
4 Rungs	1220 [48"]	910 [35-13/16"]	
4 Rungs	1320 [52"]	755 [29-3/4"]	
4 Rungs	1422 [56"]	540 [21-1/4"]	
5 Rungs	1525 [60"]	1025 [40-3/8"]	
5 Rungs	1625 [64"]	855 [33-11/16"]	
5 Rungs	1725 [68"]	620 [24-7/16"]	



**NOTE: FOR UNDERSURFACING & FOOTINGS REFER TO SEPARATE INSTRUCTIONS**

- CHAIN NET KB 36"/915 W/HAND LOOPS 200084343
- CHAIN NET KB 36"/915 W/SAFETY LOOPS 200084344
- CHAIN NET KB 48"/1220 W/HAND LOOPS 200084341
- CHAIN NET KB 48"/1220 W/SAFETY LOOPS 200084342
- CHAIN NET KB 64"/1625 W/HAND LOOPS 200084319
- CHAIN NET KB 64"/1625 W/SAFETY LOOPS 200084340

Item	Code	Description	Qty.
1	-	CHAIN NET	1
2	-	SAFETY LOOP ASSY F/KB WITH 2 WING CLAMPS OR HANDHOLD LOOP ASSY F/KB WITH 4 RAIL CLAMPS	1 SET
3	200001794	BOLT CARRIAGE M10 X 1.50 X 30MM	4
4	200001945	NUT LOCK HEX NYLON INSERTED M10 X 1.5	4
5	200002096	WASHER FLAT M10 340D X 11ID X 3 MM THK	8
6	200001776	ANCHOR CONCRETE WEDGE M10 X 1.50 X 100MM	4

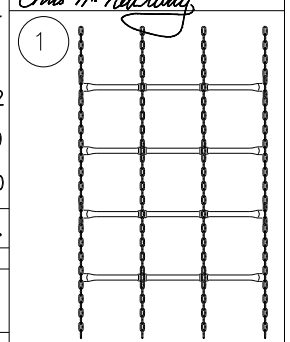
**Application**

- Cannot be used as sole access
- Never install a climber without loops

**Installation Instructions**

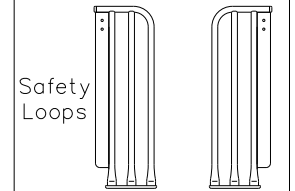
1. Prepare footings (refer to chart for appropriate locations).
2. Install loops. See Safety/Hand Loops instruction KB600005 for details.
3. Attach Chain Net Climber to deck edge as shown in DETAIL 1.
4. Attach Chain Net Climber to ground as shown in DETAIL 2 (refer to chart for appropriate locations).
5. Install resilient surfacing around climber. Surfacing shall extend in all directions at least 1830mm [72"] from the point at which the climber enters the surfacing. Anchor bolt to be completely covered by full thickness of tile after ground cover installation.

AUTHORIZED BY:  
04MAY06



Number of rungs will vary with deck height and footing option

2



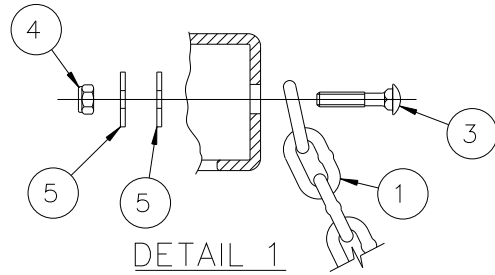
Safety Loops



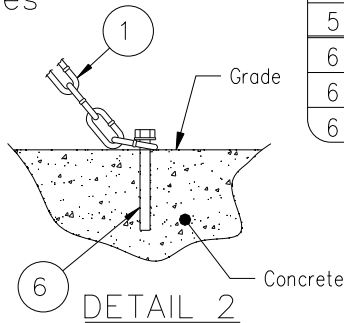
Handhold Loops



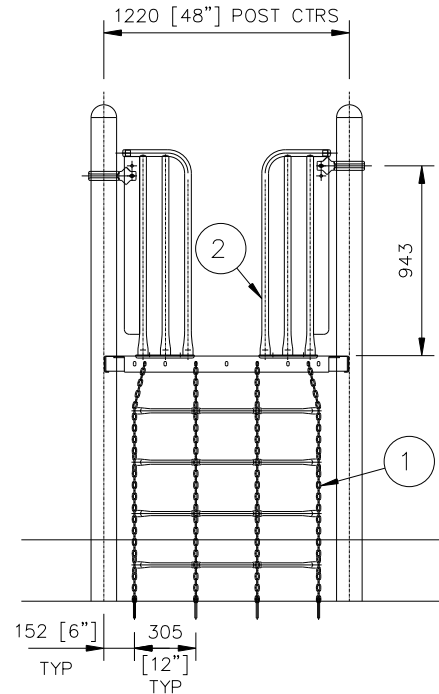
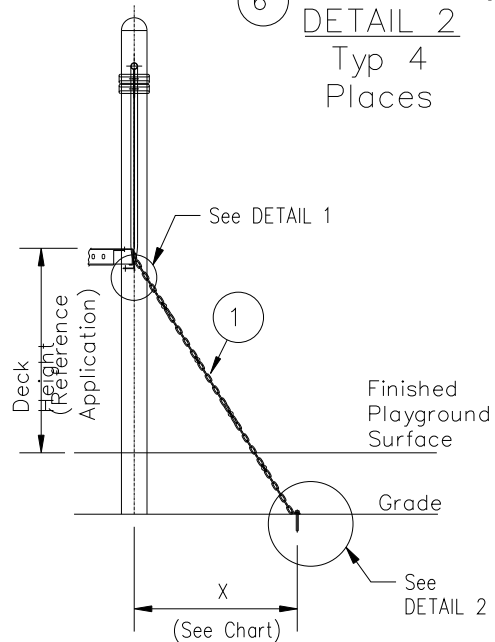
AUTHORIZED BY: *Chris M. [Signature]* 04MAY06



DETAIL 1  
Typ 4  
Places



DETAIL 2  
Typ 4  
Places



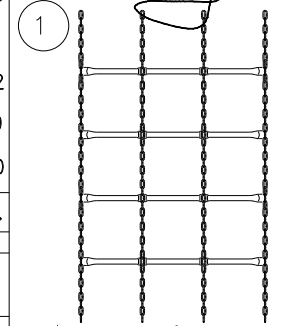
Type of Chain Net	Deck Height	'X'
4 Rungs	815 [32"]	1067 [42"]
4 Rungs	915 [36"]	955 [30-7/8"]
4 Rungs	1015 [40"]	811 [31-15/16"]
5 Rungs	1115 [44"]	1208 [47-1/2"]
5 Rungs	1220 [48"]	1075 [35-13/16"]
5 Rungs	1320 [52"]	915 [36"]
5 Rungs	1422 [56"]	705 [27-3/4"]
6 Rungs	1525 [60"]	1178 [46-3/8"]
6 Rungs	1625 [64"]	1007 [33-11/16"]
6 Rungs	1725 [68"]	787 [31"]

- CHAIN NET KB 36"/915 W/HAND LOOPS 200084343
- CHAIN NET KB 36"/915 W/SAFETY LOOPS 200084344
- CHAIN NET KB 48"/1220 W/HAND LOOPS 200084341
- CHAIN NET KB 48"/1220 W/SAFETY LOOPS 200084342
- CHAIN NET KB 64"/1625 W/HAND LOOPS 200084319
- CHAIN NET KB 64"/1625 W/SAFETY LOOPS 200084340

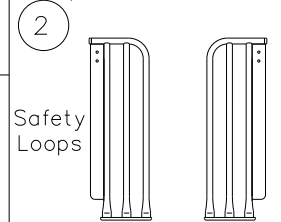
Item	Code	Description	Qty.
1	-	CHAIN NET	1
2	-	SAFETY LOOP ASSY F/KB WITH 2 WING CLAMPS OR HANDHOLD LOOP ASSY F/KB WITH 4 RAIL CLAMPS	1 SET
3	200001794	BOLT CARRIAGE M10 X 1.50 X 30MM	4
4	200001945	NUT LOCK HEX NYLON INSERTED M10 X 1.5	4
5	200002096	WASHER FLAT M10 340D X 11ID X 3 MM THK	8
6	200001776	ANCHOR CONCRETE WEDGE M10 X 1.50 X 100MM	4

- Application**
- Cannot be used as sole access
  - Never install a climber without loops

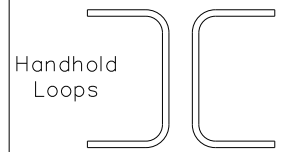
- Installation Instructions**
1. Prepare footings (refer to chart for appropriate locations).
  2. Install loops. See Safety/Hand Loops instruction KB600005 for details.
  3. Attach Chain Net Climber to deck edge as shown in DETAIL 1.
  4. Attach Chain Net Climber to ground as shown in DETAIL 2 (refer to chart for appropriate locations).
  5. Install resilient surfacing around climber. Surfacing shall extend in all directions at least 1830mm [72"] from the point at which the climber enters the surfacing. Anchor bolt to be completely covered by full thickness of tile after ground cover installation.



Number of rungs will vary with deck height and footing option



Safety Loops



Handhold Loops

**NOTE: FOR UNDERSURFACING & FOOTINGS REFER TO SEPARATE INSTRUCTIONS**

AUTHORIZED BY: 05SEPT14  
TRACY ARCHER

### STONE CLIMBER 915mm [36"] F/KB 200095002

Item	Code	Description	Qty.
1		HAND SUPPORT 915 F/STONE CLMB	2
2		POST F/STONE CLIMBER 1272 ING	1
3		POST F/STONE CLIMBER 946 ING	1
4		PLASTIC STONE	2
5		LOOP SAFETY F/KB LFT. (NEW)	1
6		LOOP SAFETY F/KB RGT. (NEW)	1
7		KB WING CLAMP	2

### HDWR BAG F/KB 915 STONE CLIMBER 200094952

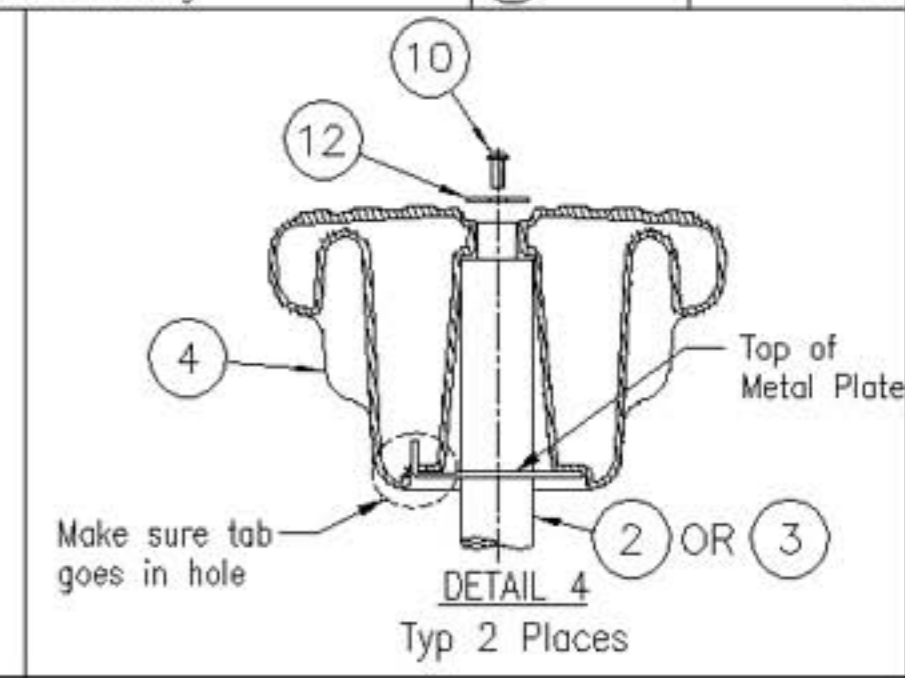
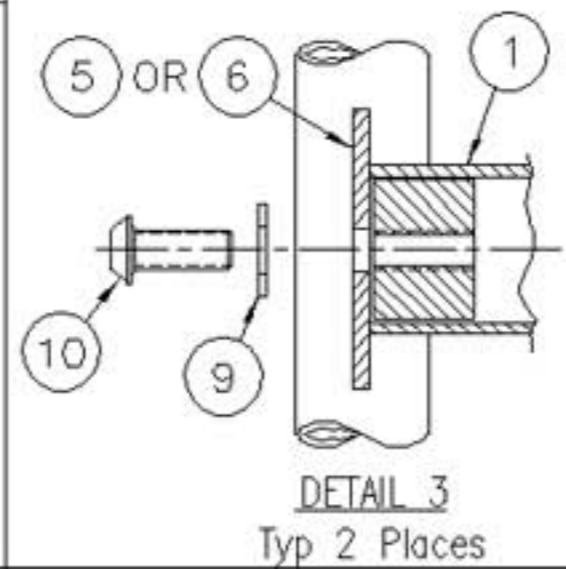
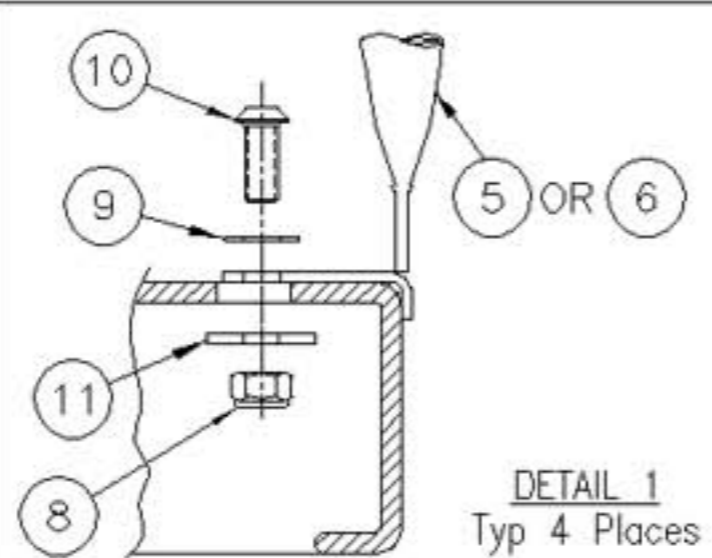
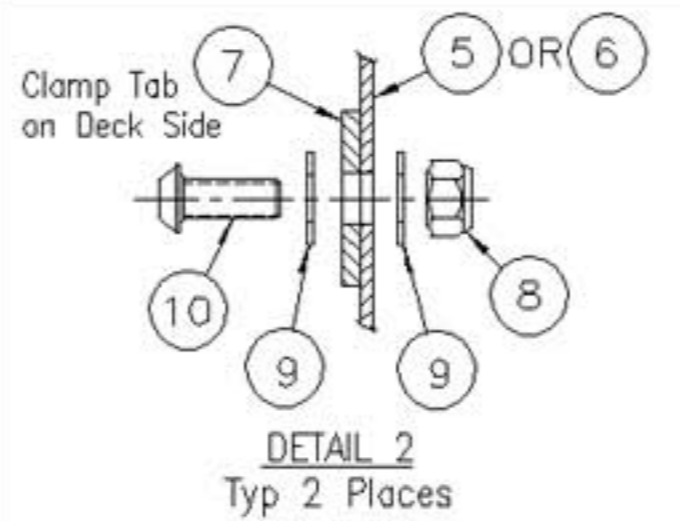
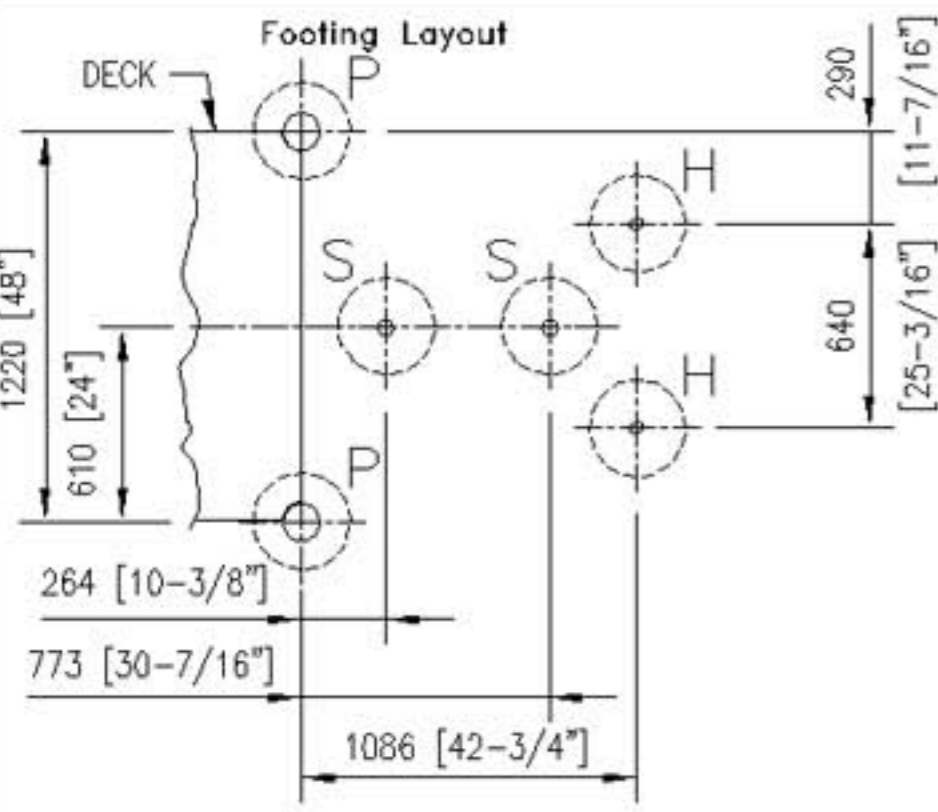
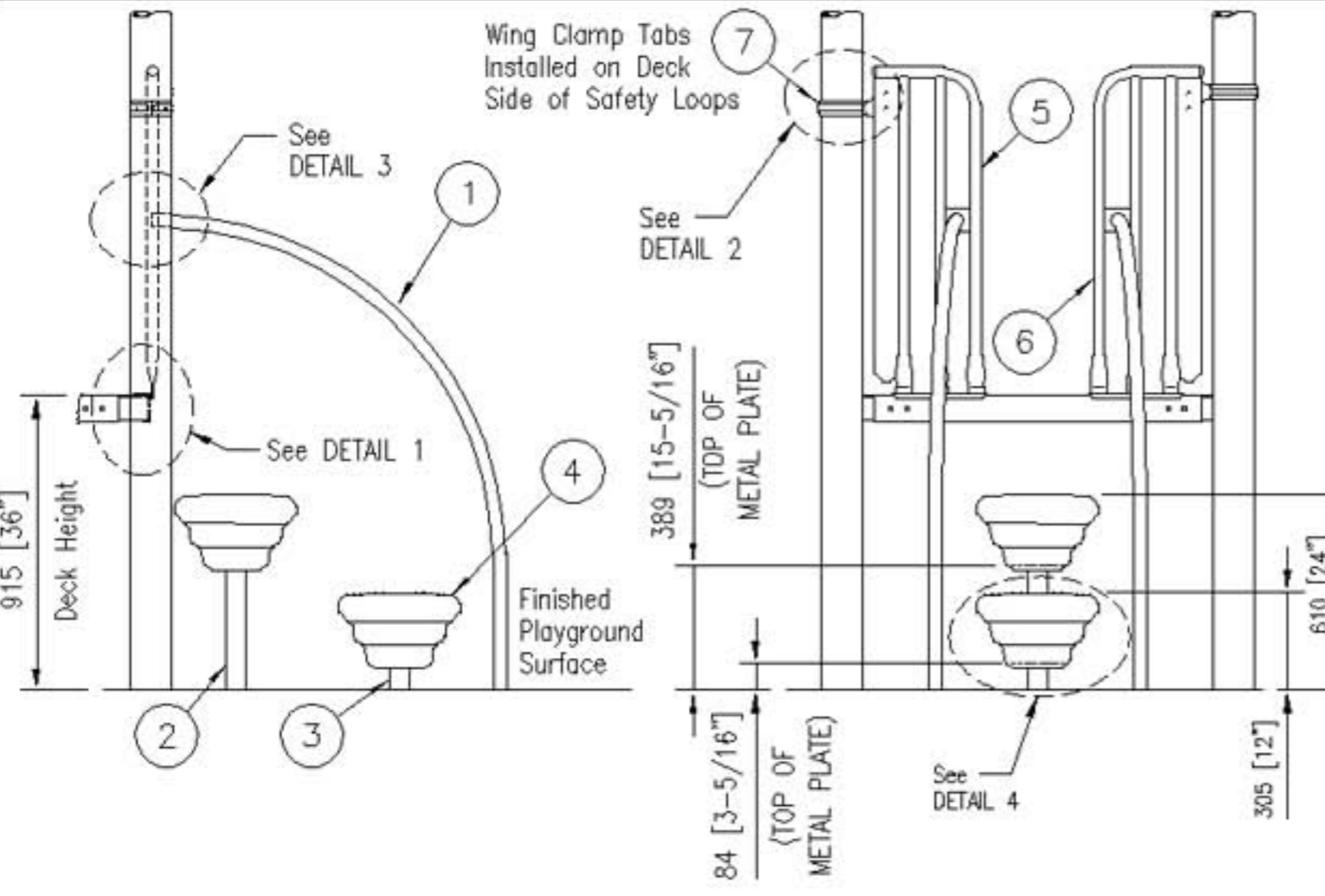
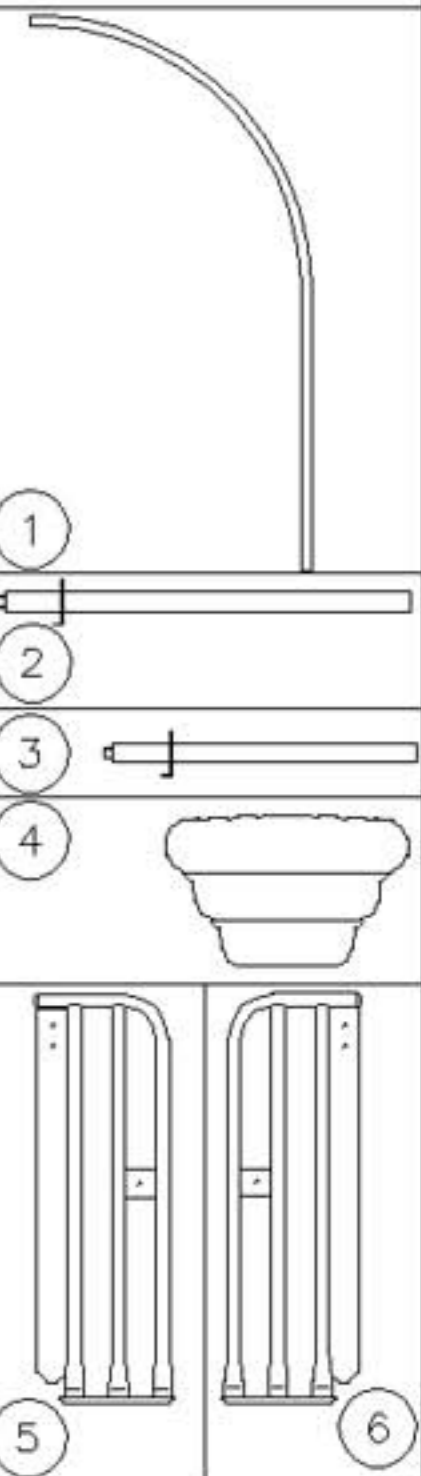
Item	Code	Description	Qty.
8	200001945	NUT LOCK HEX NYLON INSERTED M10 X 1.5	6
9	200002079	WASHER FLAT M11 23 X 12 X 1.6	10
10	200002018	SCREW MACH BUTTONHEAD M10 X 1.50 X 25 MM	10
11	200002096	WASHER FLAT M10 34 OD X 11 ID X 3 MM THK	4
12	117988	WASHER FLAT 1/2 X 2 X .125 SS	2

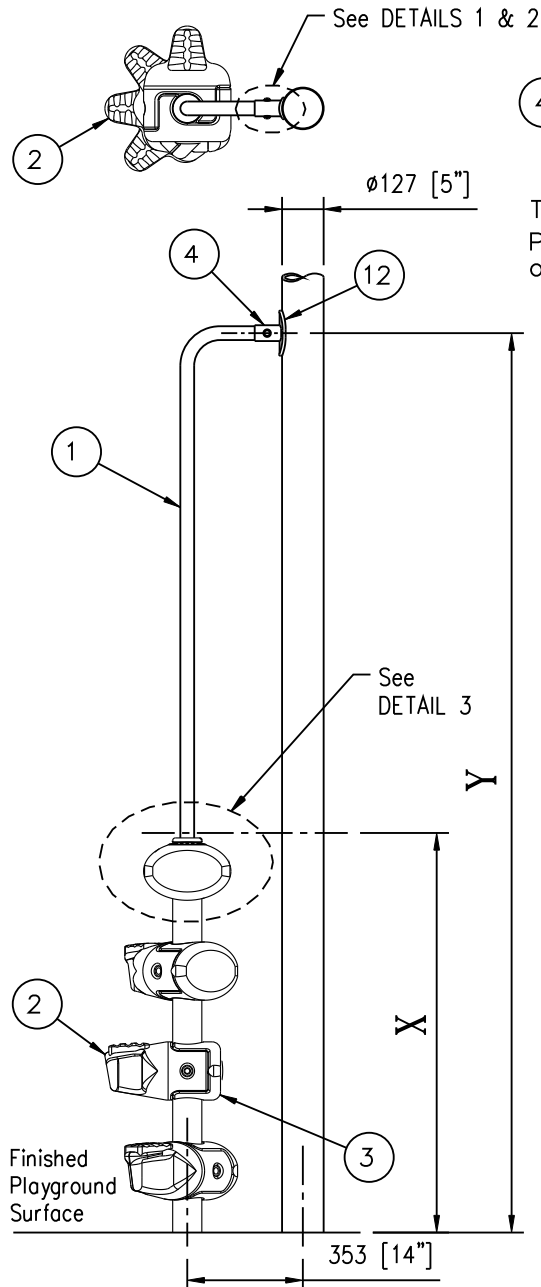
#### Application

- Recommended for age groups 2 - 12 year olds
- Inground mount only

#### Installation Instructions

1. Prepare footings.
2. Attach the enclosures to the deck as shown in DETAIL 1.
3. Loosely attach wing clamps to the posts (refer to front of manual for clamp installation instruction).
4. Attach the loop plates to the wing clamp tabs as shown in DETAIL 2. Note high side/low side position of clamps. Wing clamp tabs are installed on deck side of safety loops.
5. Place stone posts in footings. Block them up to the proper height. Make sure they are level and at the proper height. Pour concrete.
6. Attach the top ends of the Hand Supports to the safety loops as shown in DETAIL 3.
7. Tighten all hardware and install clamp drive pins.
8. When concrete has cured, attach plastic stones to posts as shown in DETAIL 4.
9. Complete footings and install resilient surfacing.





See DETAILS 1 & 2

$\phi 127 [5'']$

See  
DETAIL 3

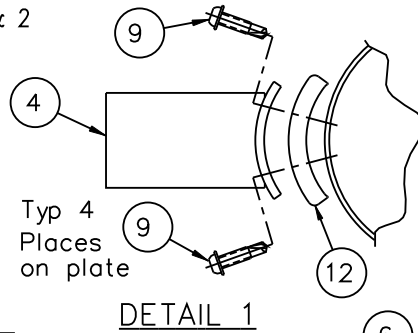
X

Y

353 [14'']

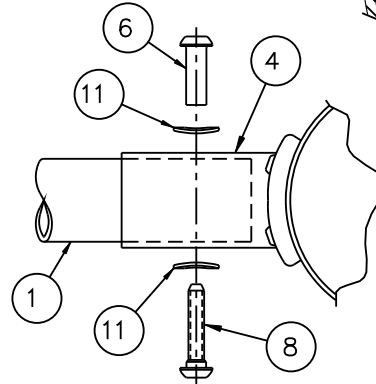
Finished  
Playground  
Surface

NOTE: FOR UNDERSURFACING & FOOTINGS  
REFER TO SEPARATE INSTRUCTIONS

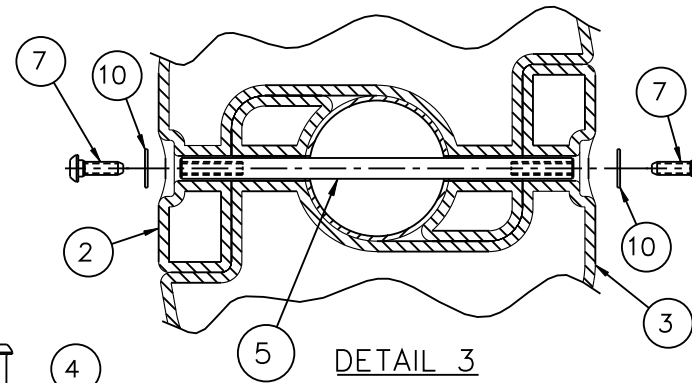


Typ 4  
Places  
on plate

DETAIL 1



DETAIL 2



DETAIL 3

TABLE A

X Step Height	Y Bracket Centerline Height
* 610mm [24"]	2136mm [84"]
1220mm [48"]	2746mm [108"]
1422mm [56"]	2948mm [116"]
1625mm [64"]	3151mm [124"]

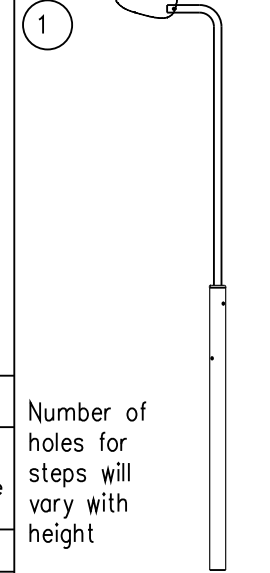
\* See Sheet 2 for 610mm [24"]  
version details.

**Application**

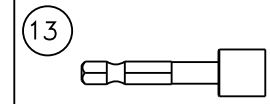
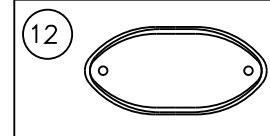
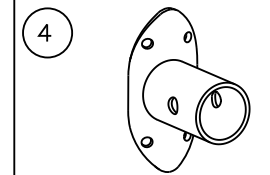
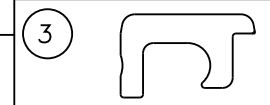
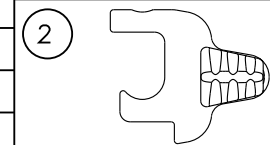
- Inground mount only.

**Installation Instructions**

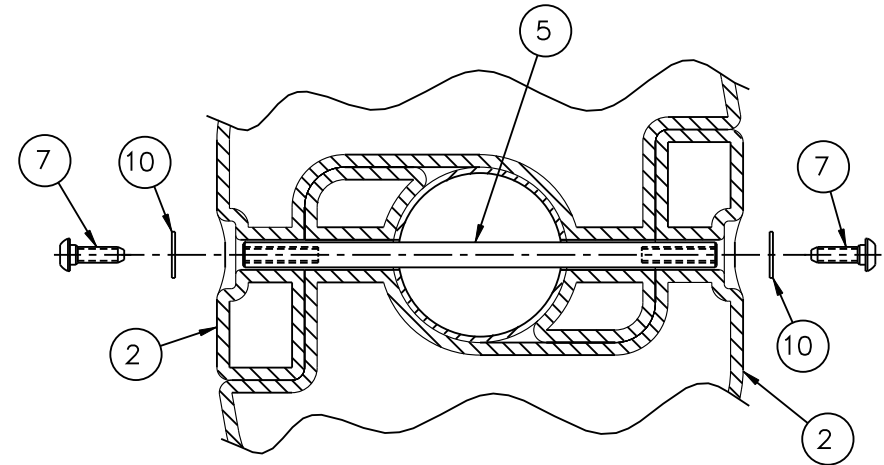
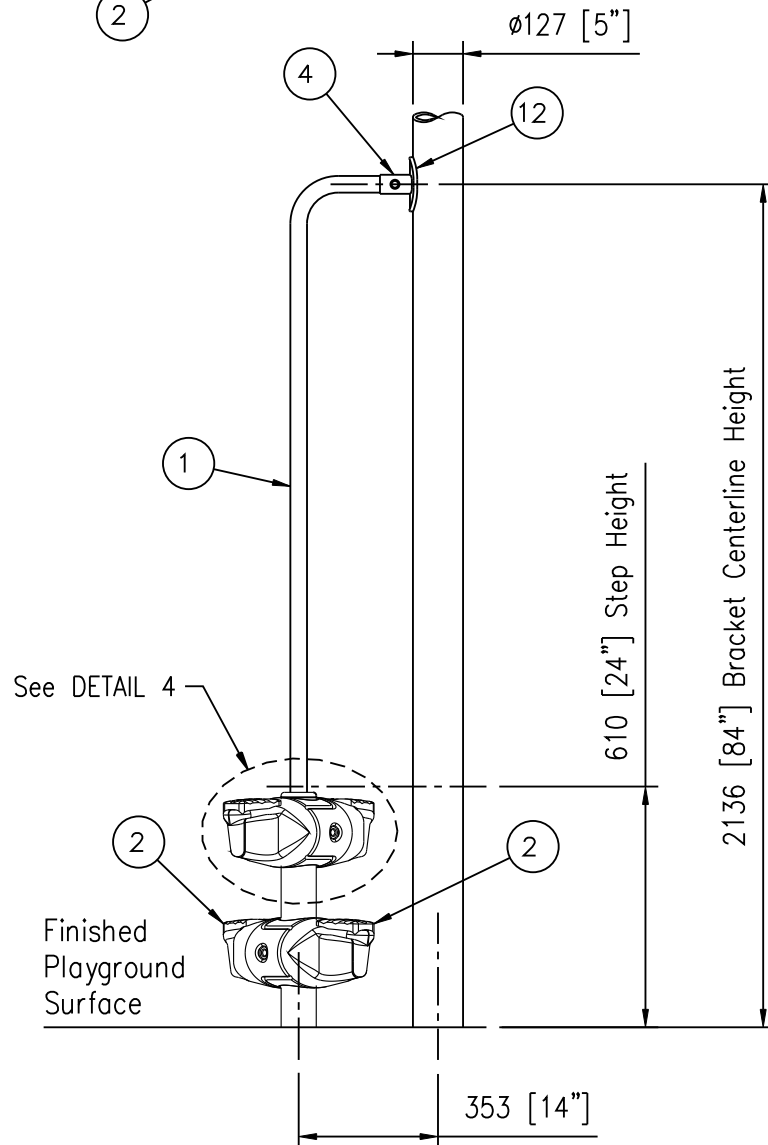
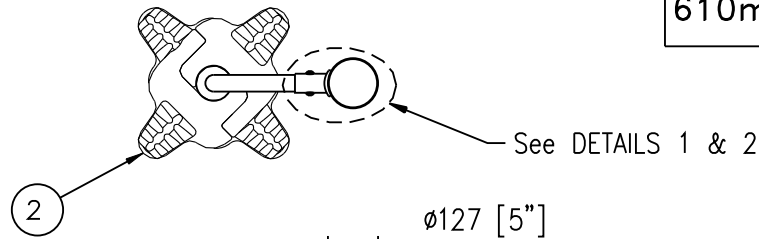
1. Prepare footing.
2. Refer to TABLE A for bracket centerline height.
3. Attach the top end of the climber to the bracket as shown in DETAIL 2.
4. Assemble bracket and gasket to post as shown in DETAIL 1. Attach using Driver Bit. **NOTE:** Do Not exceed 105 in-lbs torque when installing screws to post.
5. Attach the footholds and blank halves to the climber post as shown in DETAIL 3 (DETAIL 4 for 24" model). **NOTE:** The 610mm [24"] height will use two footholds (item 2) per step. All other heights will use one foothold and one blank half (item 3) per step.
6. Tighten all hardware.
7. Complete footing and install resilient surfacing.



Number of  
holes for  
steps will  
vary with  
height



610mm [24"] CLIMBER



DETAIL 4

INFINITY WING CLIMB POST MT 610MM (24") 200202320

Item	Code	Description	Qty.
1	-	ASSYCLMBR F/KB INFTYWG 24" ING	1
2	-	FOOTHOLD F/INFINITY WING	4
4	-	BRACKET POST F/CURLY CLMBR	1

HDWR BAG F/INF WING 24" POST MT 200185437

Item	Code	Description	Qty.
5	200153311	ROD INTERNALLY THREADED 1/2" S.S. 240MM	2
6	200002145	BOLT M8 X 1.25 FEMALE 10.3 X 30 MM	1
7	200002133	BOLT M8 X 1.25 MALE 27.5 MM	4
8	200002138	BOLT M8 X 1.25 MALE 42.5 MM	1
9	300002750	SCREW T-27 TORX ROUND WASHER HD	4
10	200002079	WASHER FLAT M11 23 X 12 X 1.6	4
11	200008483	WASHER BOWED M11 23.5 X 11.7 X 1.57 MM	2
12	200058373	GASKET F/PB PLATE (LARGE)	1
13	200066126	DRIVER BIT T-27 TAMPER-RESISTANT F/PB	1



# INFINITY WING CLIMBER (POST MOUNT)

200188299

KB300120A

Sheet 3 of 3

AUTHORIZED BY: 20JULY10

*Chris M. [Signature]*

## INFINITY WING CLIMB POST MT 1220MM (48") 200202321

Item	Code	Description	Qty.
1	-	ASSYCLMBR F/KB INFYWG 48" ING	1
2	-	FOOTHOLD F/INFINITY WING	4
3	-	BLANK HALF F/INFINITY WING	4
4	-	BRACKET POST F/CURLY CLMBR	1

## HDWR BAG F/INF WING 48" POST MT 200185438

Item	Code	Description	Qty.
5	200153311	ROD INTERNALLY THREADED 1/2" S.S. 240MM	4
6	200002145	BOLT M8 X 1.25 FEMALE 10.3 X 30 MM	1
7	200002133	BOLT M8 X 1.25 MALE 27.5 MM	8
8	200002138	BOLT M8 X 1.25 MALE 42.5 MM	1
9	300002750	SCREW T-27 TORX ROUND WASHER HD	4
10	200002079	WASHER FLAT M11 23 X 12 X 1.6	8
11	200008483	WASHER BOWED M11 23.5 X 11.7 X 1.57 MM	2
12	200058373	GASKET F/PB PLATE (LARGE)	1
13	200066126	DRIVER BIT T-27 TAMPER-RESISTANT F/PB	1

## INFINITY WING CLIMB POST MT 1422MM (56") 200202322

Item	Code	Description	Qty.
1	-	ASSYCLMBR F/KB INFYWG 56" ING	1
2	-	FOOTHOLD F/INFINITY WING	5
3	-	BLANK HALF F/INFINITY WING	5
4	-	BRACKET POST F/CURLY CLMBR	1

## HDWR BAG F/INF WING 56" & 64" POST MT 200185439

Item	Code	Description	Qty.
5	200153311	ROD INTERNALLY THREADED 1/2" S.S. 240MM	5
6	200002145	BOLT M8 X 1.25 FEMALE 10.3 X 30 MM	1
7	200002133	BOLT M8 X 1.25 MALE 27.5 MM	10
8	200002138	BOLT M8 X 1.25 MALE 42.5 MM	1
9	300002750	SCREW T-27 TORX ROUND WASHER HD	4
10	200002079	WASHER FLAT M11 23 X 12 X 1.6	10
11	200008483	WASHER BOWED M11 23.5 X 11.7 X 1.57 MM	2
12	200058373	GASKET F/PB PLATE (LARGE)	1
13	200066126	DRIVER BIT T-27 TAMPER-RESISTANT F/PB	1

## INFINITY WING CLIMB POST MT 1625MM (64") 200202323

Item	Code	Description	Qty.
1	-	ASSYCLMBR F/KB INFYWG 64" ING	1
2	-	FOOTHOLD F/INFINITY WING	5
3	-	BLANK HALF F/INFINITY WING	5
4	-	BRACKET POST F/CURLY CLMBR	1

## HDWR BAG F/INF WING 56" & 64" POST MT 200185439

Item	Code	Description	Qty.
5	200153311	ROD INTERNALLY THREADED 1/2" S.S. 240MM	5
6	200002145	BOLT M8 X 1.25 FEMALE 10.3 X 30 MM	1
7	200002133	BOLT M8 X 1.25 MALE 27.5 MM	10
8	200002138	BOLT M8 X 1.25 MALE 42.5 MM	1
9	300002750	SCREW T-27 TORX ROUND WASHER HD	4
10	200002079	WASHER FLAT M11 23 X 12 X 1.6	10
11	200008483	WASHER BOWED M11 23.5 X 11.7 X 1.57 MM	2
12	200058373	GASKET F/PB PLATE (LARGE)	1
13	200066126	DRIVER BIT T-27 TAMPER-RESISTANT F/PB	1



# POMMEL CLIMBER W/WIRE ENCL 1220/1625mm

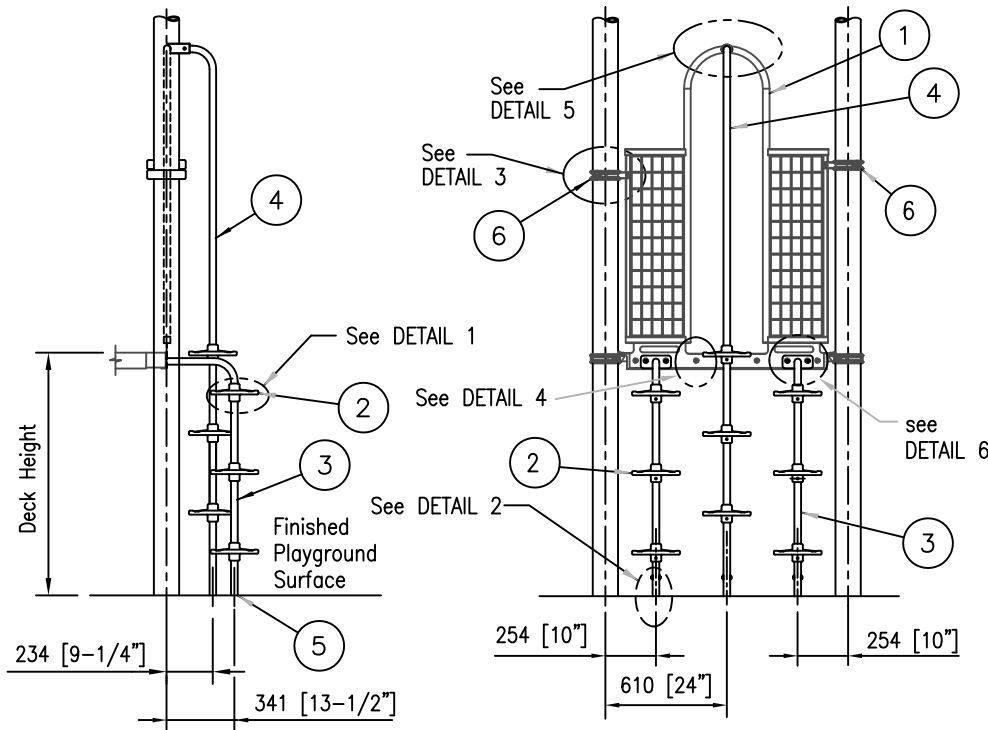
200313385

KB300156A

Sheet 1 of 2

AUTHORIZED BY: 10DEC14

*Chris M. [Signature]*



**48" POMMEL CLIMBER SHOWN**

**Application**

- Climbing events cannot be used as sole access.

**Installation Instructions**

1. Prepare footings.
2. Attach all pommels to the long and short poles as shown in DETAIL 1 starting with the highest ones and working your way down to the bottom pommels.
3. Attach the anchor tubes to the ends of all poles as shown in DETAIL 2.
4. Loosely attach clamps to posts (refer to front of manual for additional clamp installation details).
5. Place Mesh Enclosure on deck as shown in main view. Attach bottom plate to deck as shown in DETAIL 6 and to clamps as shown in DETAIL 3.  
Note: Small tab in clamp is designed to be bent out as necessary for panel installation.

**CLIMBER POMMEL 48" F/KB W/WIRE ENCL 200203365**

Item	Code	Description	Qty.
1	912304	ENCL CLIMB MESH F/KB W/STUB	1
2	200000423	POMMEL	9
3	-	SIDE POST F/POMMEL CLIMBER 1220	2
4	-	CENTER POST F/POMMEL CLIMBER 1220	1
5	-	TUBE ANCHOR	3
6	-	KB SQUARE TUBE CLAMP ASSEMBLY	2

**HDWR PKG F/KB 48 POMMEL W/WIRE HW910131-1**

Item	Code	Description	Qty.
7	200002145	BOLT M8 X 1.25 FEMALE 10.3 X 30MM	6
8	200002133	BOLT M8 X 1.25 MALE 27.5mm	5
9	200002138	BOLT M8 X 1.25 MALE 42.5 MM	1
10	200002018	SCREW MACH BUTTONHEAD M10 X 1.5 X 25MM	5
11	200002030	SCREW MACH BUTTONHEAD M10 X 1.5 X 30MM	4
12	200002150	SCREW MACH BUTTONHEAD M10 X 1.5 X 55MM	9
13	200001966	T-NUT SLAB BASE M10 X 1.50 X 9.5MM	9
14	200001945	NUT LOCK HEX NYLON INSERTED M10 X 1.5	9
15	200008483	WASHER BOWED M11 23.5 X 11.7 X 1.57 MM	17
16	200002079	WASHER FLAT M11 23 X 12 X 1.6MM	22

**CLIMBER POMMEL 64" F/KB W/WIRE ENCL 200203366**

Item	Code	Description	Qty.
1	912304	ENCL CLIMB MESH F/KB W/STUB	1
2	200000423	POMMEL	12
3	-	SIDE POST F/POMMEL CLIMBER 1220	2
4	-	CENTER POST F/POMMEL CLIMBER 1220	1
5	-	TUBE ANCHOR	3
6	-	KB SQUARE TUBE CLAMP ASSEMBLY	2

**HDWR PKG F/KB 64 POMMEL W/WIRE HW910130-1**

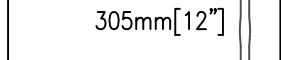
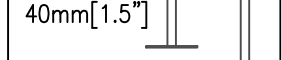
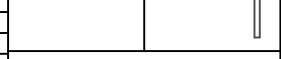
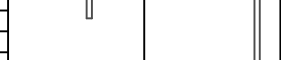
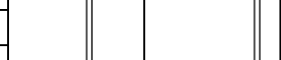
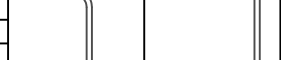
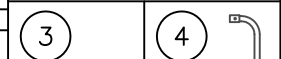
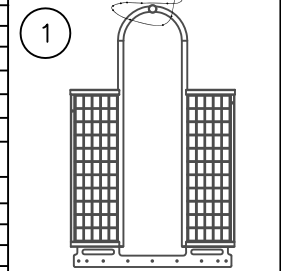
Item	Code	Description	Qty.
7	200002145	BOLT M8 X 1.25 FEMALE 10.3 X 30MM	6
8	200002133	BOLT M8 X 1.25 MALE 27.5mm	5
9	200002138	BOLT M8 X 1.25 MALE 42.5 MM	1
10	200002018	SCREW MACH BUTTONHEAD M10 X 1.5 X 25MM	5
11	200002030	SCREW MACH BUTTONHEAD M10 X 1.5 X 30MM	4
12	200002150	SCREW MACH BUTTONHEAD M10 X 1.5 X 55MM	12
13	200001966	T-NUT SLAB BASE M10 X 1.50 X 9.5MM	12
14	200001945	NUT LOCK HEX NYLON INSERTED M10 X 1.5	9
15	200008483	WASHER BOWED M11 23.5 X 11.7 X 1.57 MM	20
16	200002079	WASHER FLAT M11 23 X 12 X 1.6MM	22

6. Insert the long pole into the enclosure collar and assemble as shown in DETAIL 5.

7. Attach side pole plates to the deck edge and bottom plate of Mesh Enclosure in 4 holes as shown in DETAIL 6.

8. Tighten all hardware and install clamp drive pins.

9. Complete footings and install resilient surfacing.

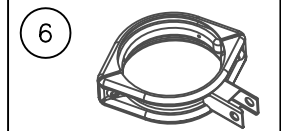


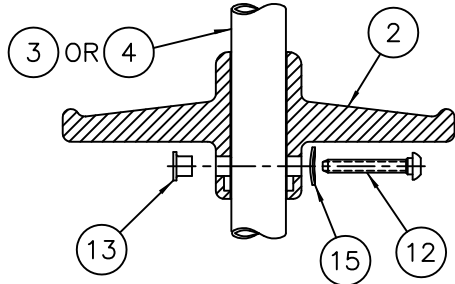
**NOTE: FOR UNDERSURFACING & FOOTINGS REFER TO SEPARATE INSTRUCTIONS**

Surf.Mt.  
40mm[1.5"]

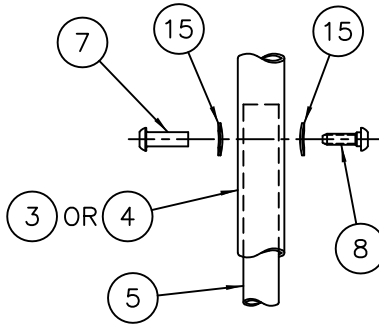
Surf.Mt.  
305mm[12"]

Inground

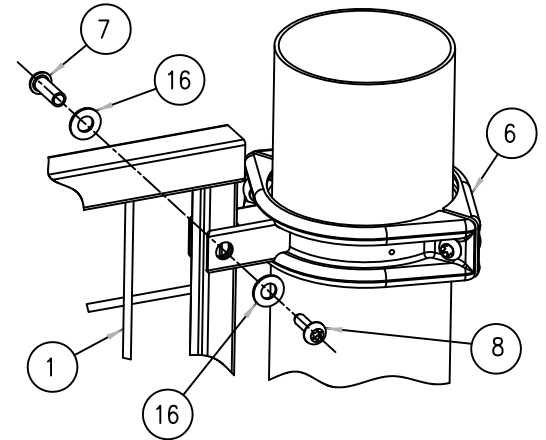




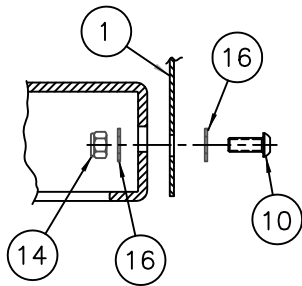
DETAIL 1  
Typ 9 Places (48")  
Typ 12 Places (64")



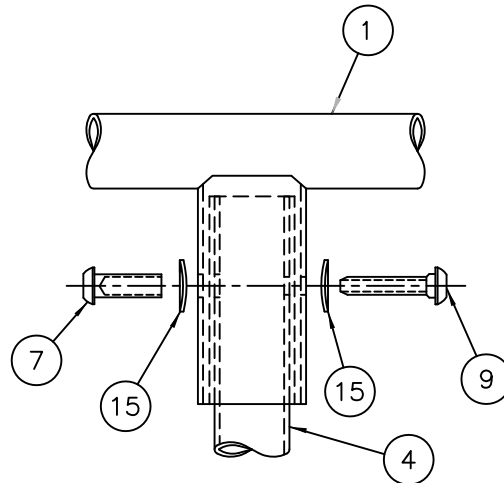
DETAIL 2  
Typ 3 Places



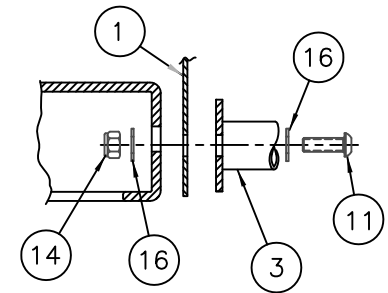
DETAIL 3  
Typ 2 Places



DETAIL 4  
Typ 5 Places

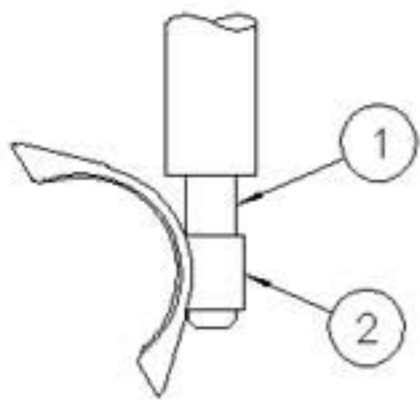


DETAIL 5

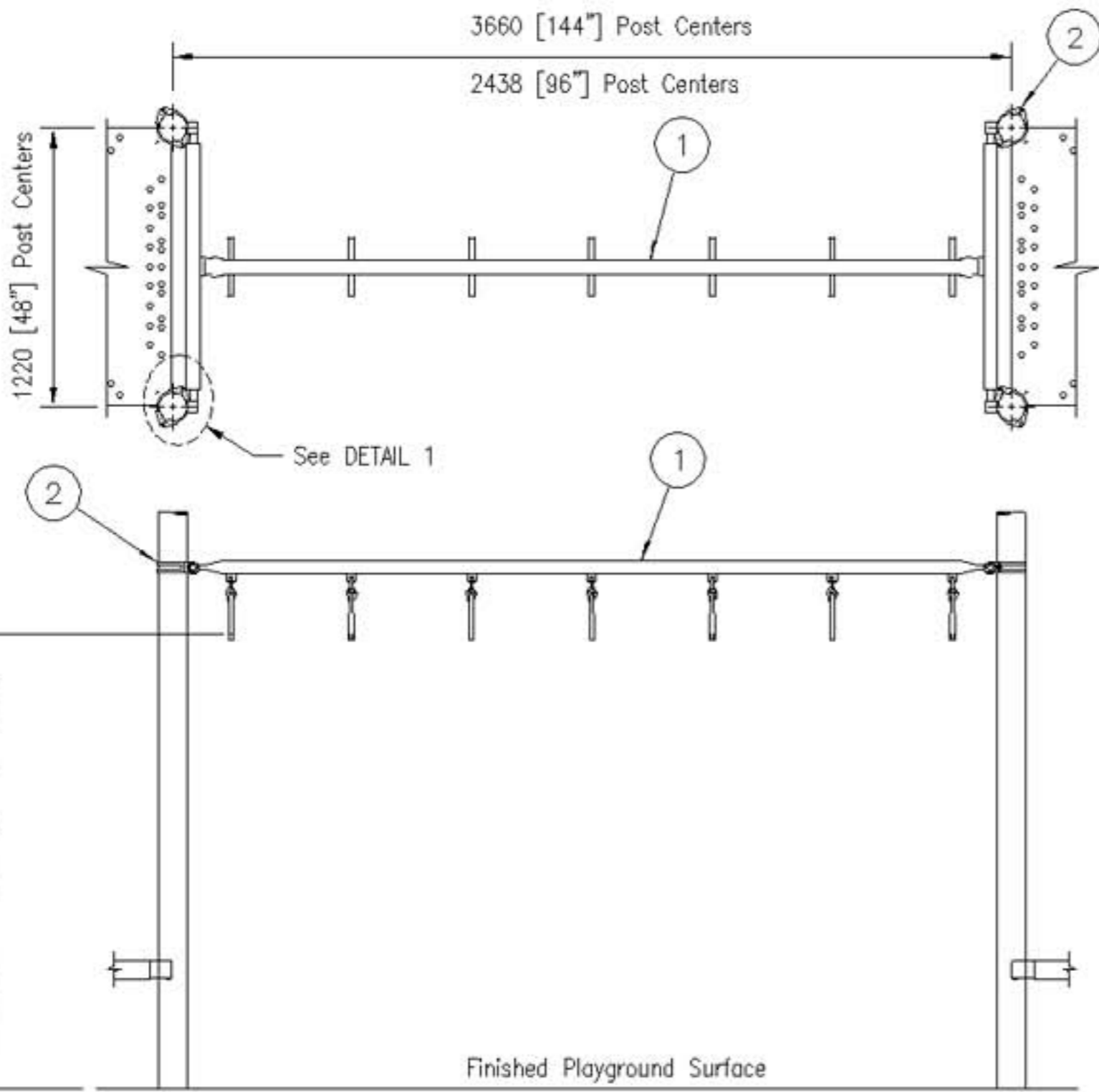


DETAIL 6  
Typ 4 Places

AUTHORIZED BY:  
*Chris M. Newberry* 14MAR08



**DETAIL 1**  
Typ 4 Places



Finished Playground Surface  
Single Ring Trek Shown

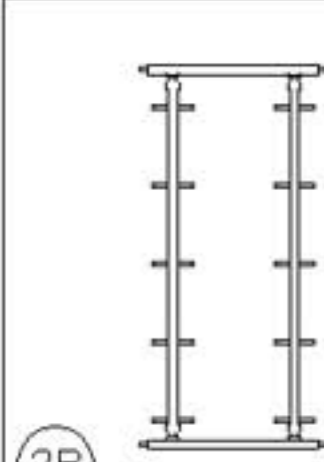
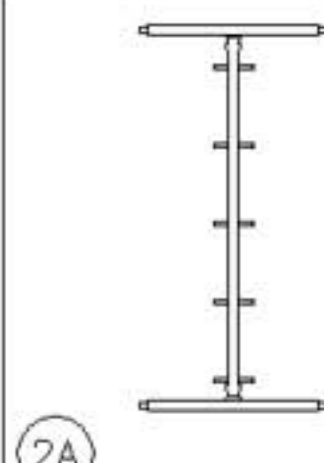
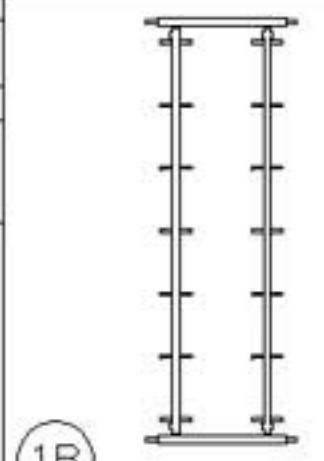
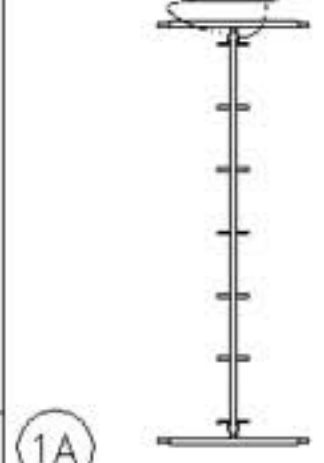
- KB SINGLE RING TREK 8'  
200201242
- KB DOUBLE RING TREK 8'  
200201243
- KB SINGLE RING TREK 12'  
200013848
- KB DOUBLE RING TREK 12'  
200013849

Item	Code	Description	Qty.
1A	-	RING TREK	1
1B	-	DOUBLE RING TREK	1
2A	-	SINGLE RING TREK 8'	1
2B	-	DOUBLE RING TREK 8'	1
2	-	RAIL CLAMP - W/WEDGE/30 DEG. ATTACH.	4

**Application**  
- For ages 5-12.

**Installation Instructions**

1. Prepare footings.
2. Install posts.
3. Slide four wedge clamps onto the Ring Trek stubs (Refer to Detail 1).
4. Position Ring Trek at proper height and attach wedge clamps to posts (refer to front of manual for clamp installation detail).
5. Tighten all hardware and install clamp drive pins.
6. Complete footings and install resilient surfacing.



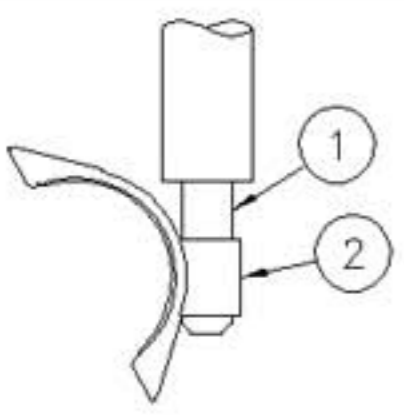
1A

1B

2A

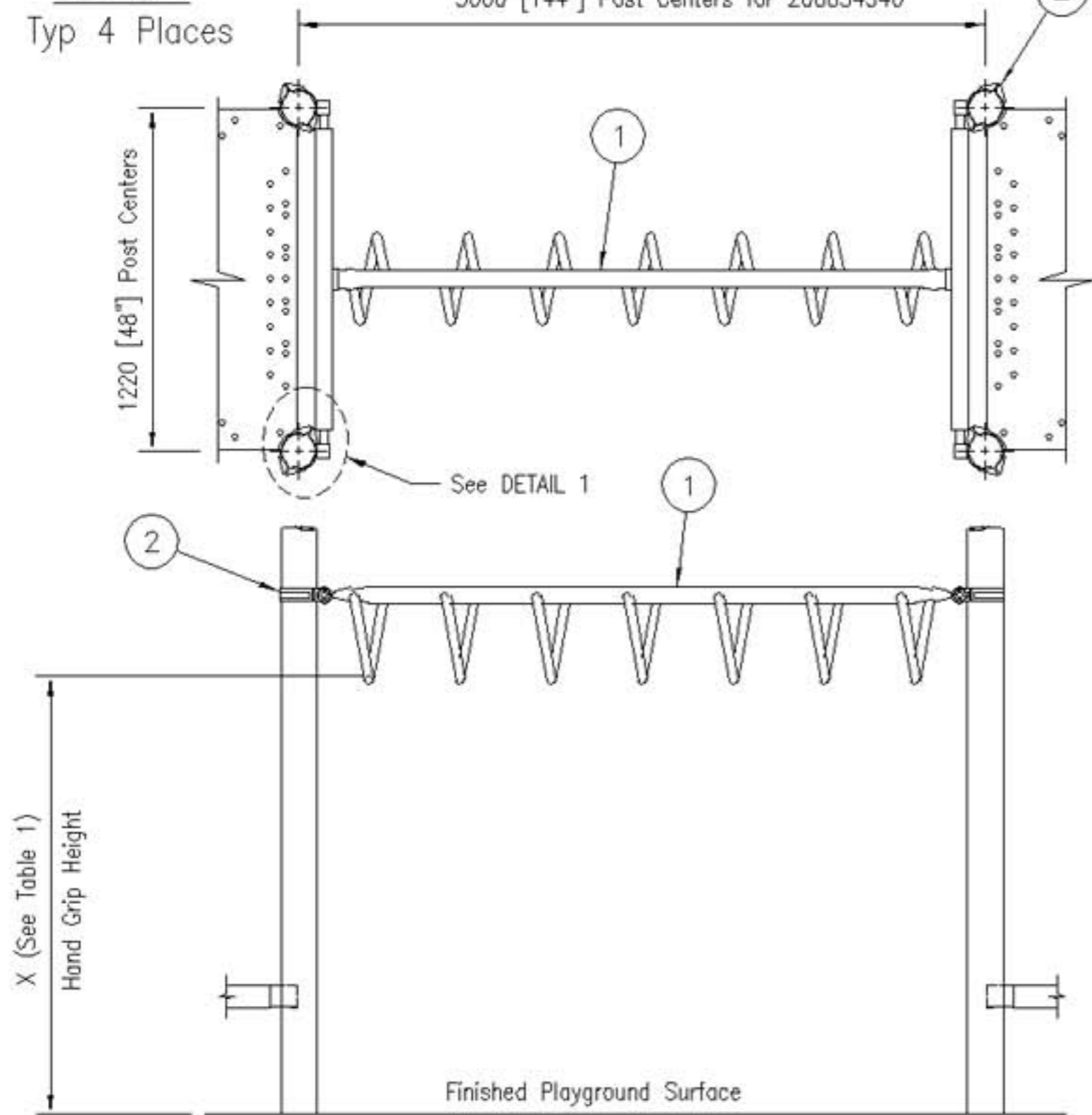
2B





**DETAIL 1**  
Typ 4 Places

2440 [96"] Post Centers for 200034344  
3660 [144"] Post Centers for 200034346



2440mm Ring Challenge Ladder Shown

LADDER RING CHALLENGE F/KB 2440 [96"]  
200034344

LADDER RING CHALLENGE F/KB 3660 [144"]  
200034346

AUTHORIZED BY:  
*Chris M. [Signature]* 20JUN07

Item	Code	Description	Qty.
1A	-	WELDED RING TREK F/KB 2440	1
1B	-	WELDED RING TREK F/KB 3660	1
2	-	RAIL CLAMP - W/WEDGE/30 DEG. ATTACH.	4

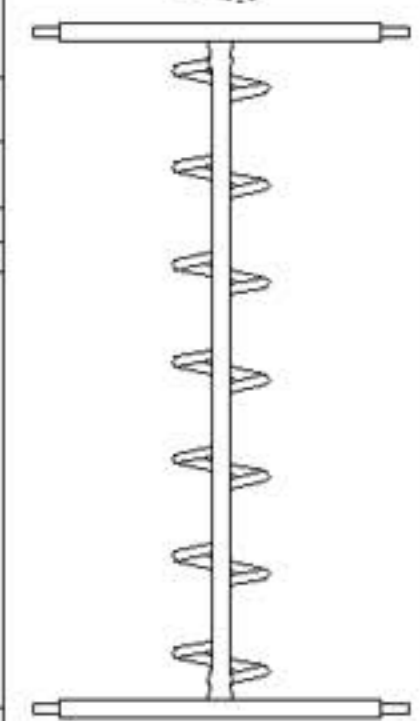
**Application**  
- For ages 2-5 or 5-12.

**Installation Instructions**

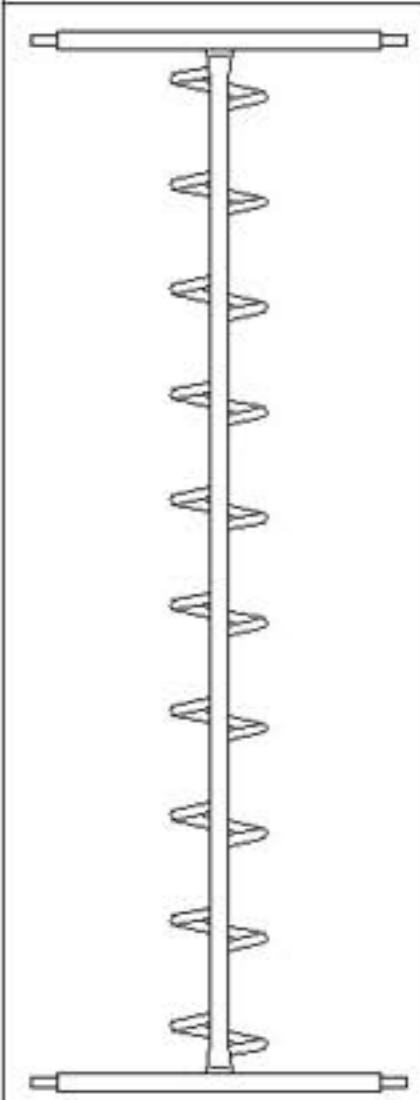
1. Prepare footings.
2. Install posts.
3. Slide four wedge clamps onto the Challenge Ladder stubs (Refer to Detail 1).
4. Position Challenge Ladder at proper height and attach wedge clamps to posts (refer to front of manual for clamp installation detail).
5. Tighten all hardware and install clamp drive pins.
6. Complete footings and install resilient surfacing.

TABLE 1

Age Group	X (Hand Grip Height)
2-5 Years	1524mm [60"]
5-12 Years	1981mm [78"]

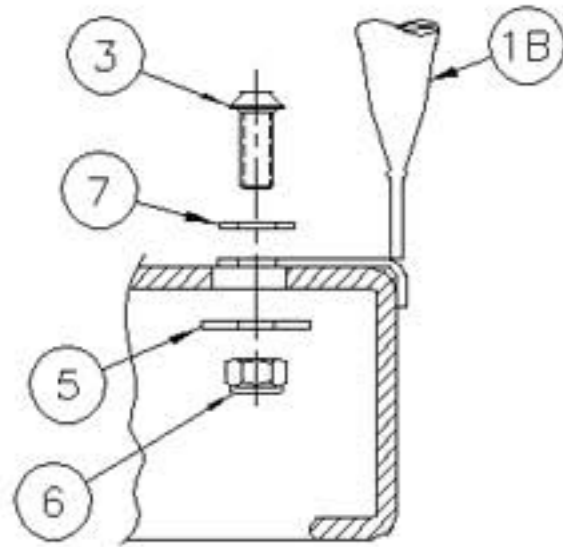


1A

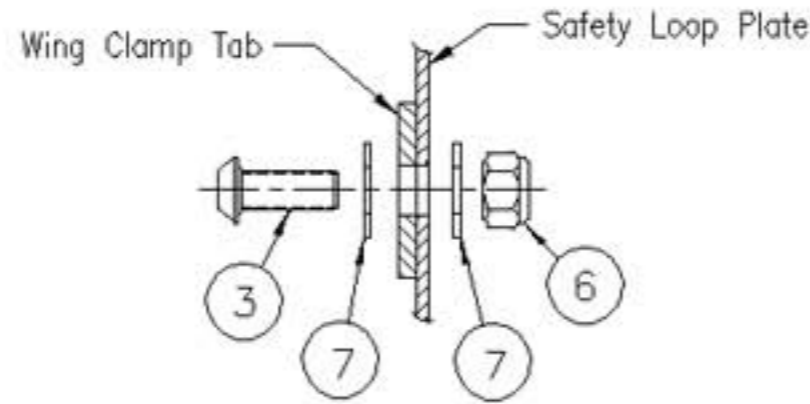


1B

AUTHORIZED BY:  
*Joe Fritchett* 11JUN08

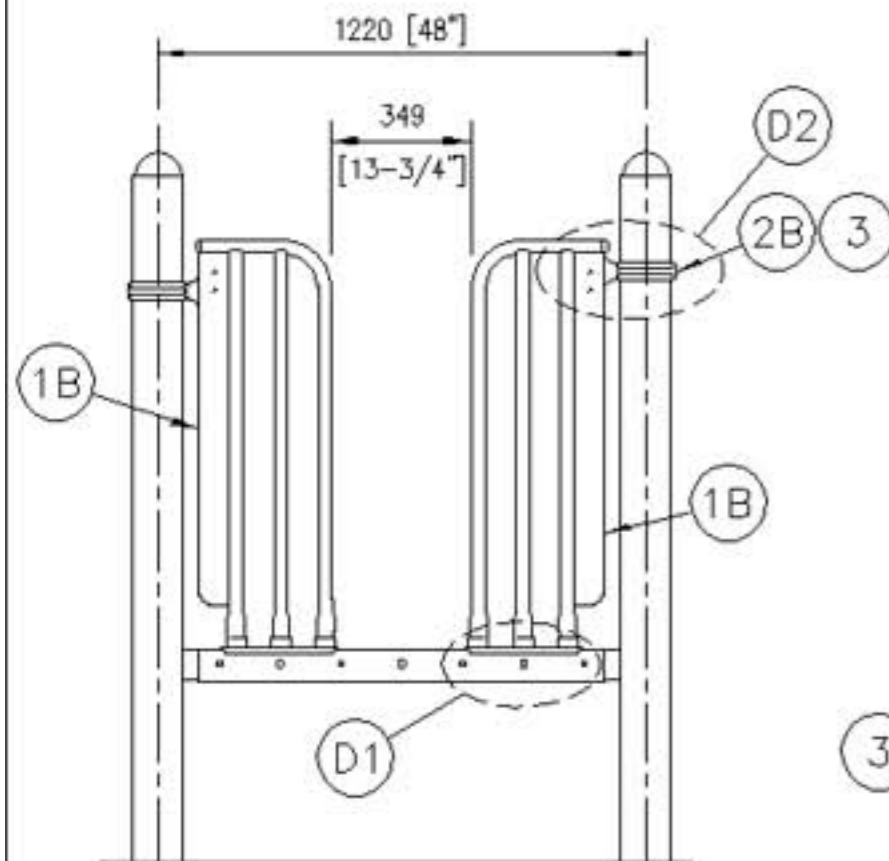
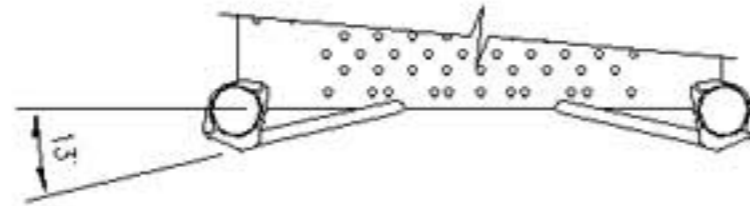
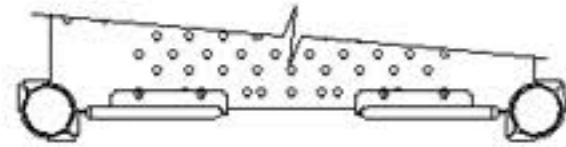


**DETAIL 1**  
Typ 4 Places

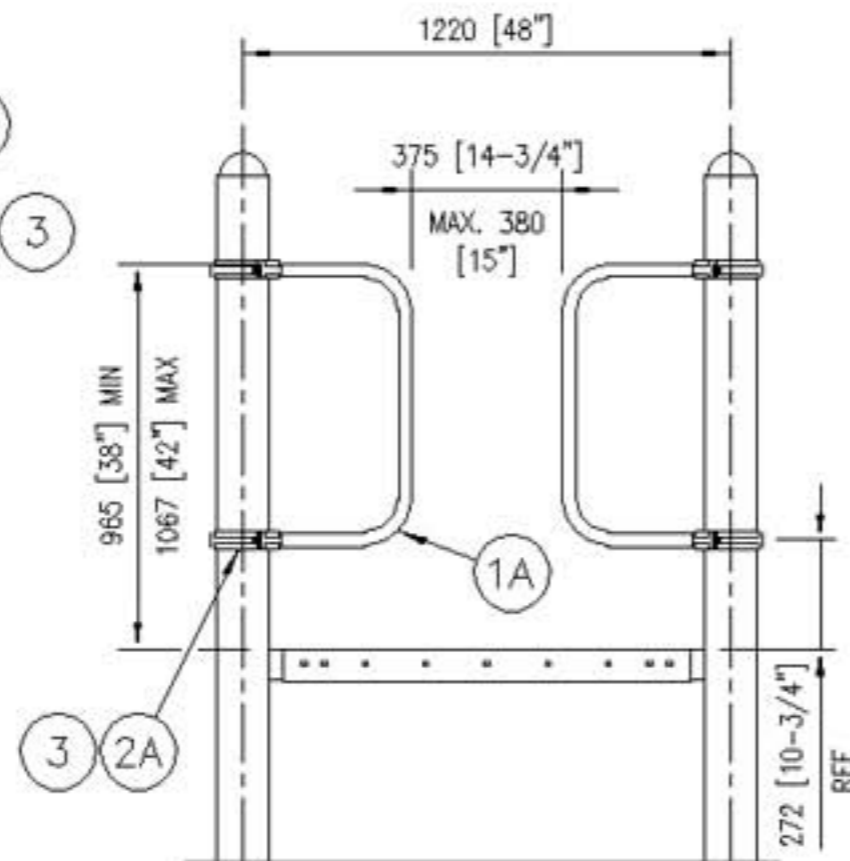


**DETAIL 2**  
Typ 2 Places

**NOTE:** Wing clamp tabs are installed on deck side of safety loops.



**Safety Loops**



**Hand Loops**

**HAND LOOP ASSEMBLY**  
200013920

Item	Code	Description	Qty.
1A	-	LOOP HAND HOLD F/KB	2
2A	-	KB HOODED RAIL CLAMP	4

**SAFETY LOOP ASSEMBLY**  
200013924

Item	Code	Description	Qty.
1B	-	SAFETY LOOP PAIR F/KB	1
2B	-	KB WING CLAMP	2

**HDWR BAG F/KB ARCH SAFETY RAIL/MESH PNL**  
200007712

Item	Code	Description	Qty.
4	200002018	SCREW MACH BUTTONHEAD M10 X 1.50 X 25MM	6
5	200002096	WASHER FLAT M10 34 OD X 11ID X 3MM THK	4
6	200001945	NUT LOCK HEX NYLON INSERTED M10 X 1.5	6
7	200002079	WASHER FLAT M11 23 X 12 X 1.6MM	8

**Application**

- For All Age Groups
- Hand Loops can be mounted to either side of the post, Safety Loops cannot.

**Installation Instructions**

**HAND LOOPS**

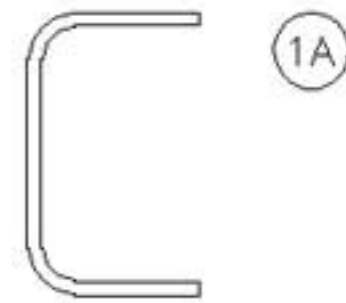
1. Determine which side of post hand loops are to be mounted on.
2. Loosely assembly Hooded Rail Clamps to posts (refer to the front of the manual for clamp installation detail).
3. Slide the hand loops into the clamps.

4. Position the hand loop to the proper height (minimum of 965mm [38"] above the deck, maximum of 1067 [42"]).

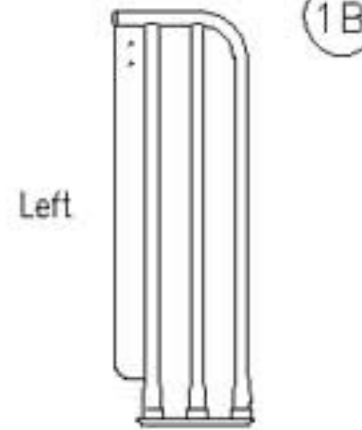
5. Tighten all hardware and install clamp drive pins.

**SAFETY LOOPS**

1. Attach the enclosures to the deck as shown in DETAIL 1.
2. Loosely attach wing clamps to the posts (refer to front of manual for clamp installation instruction).
3. Attach the loop plates to the wing clamp tabs as shown in DETAIL 2. Note high side/low side position of clamps. Wing clamp tabs are installed on deck side of safety loops.
4. Tighten all hardware and install clamp drive pins.

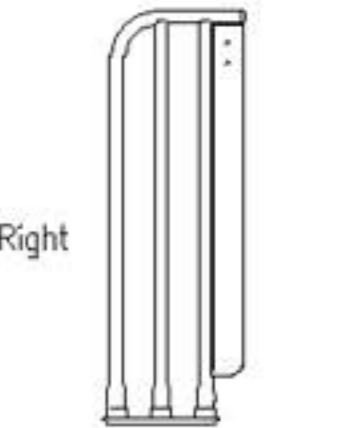


1A



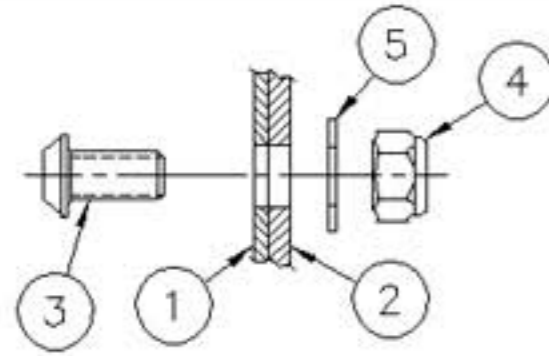
Left

1B

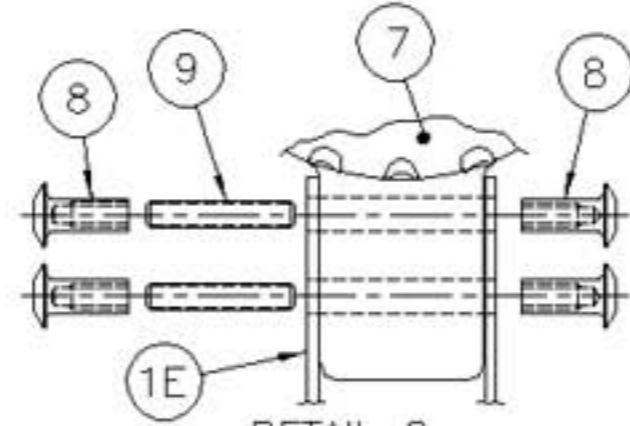


Right

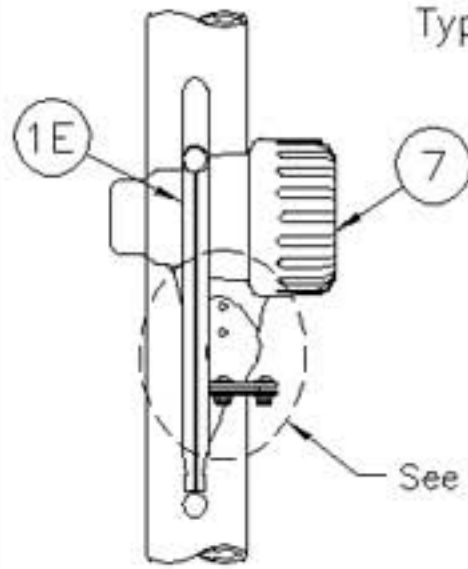
AUTHORIZED BY:  
*Joe Pritchett* 11JUN08



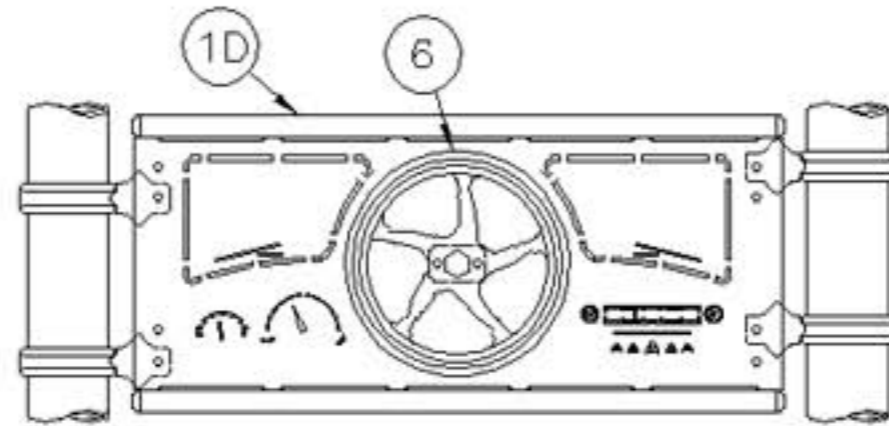
DETAIL 1  
Typ 4 Places



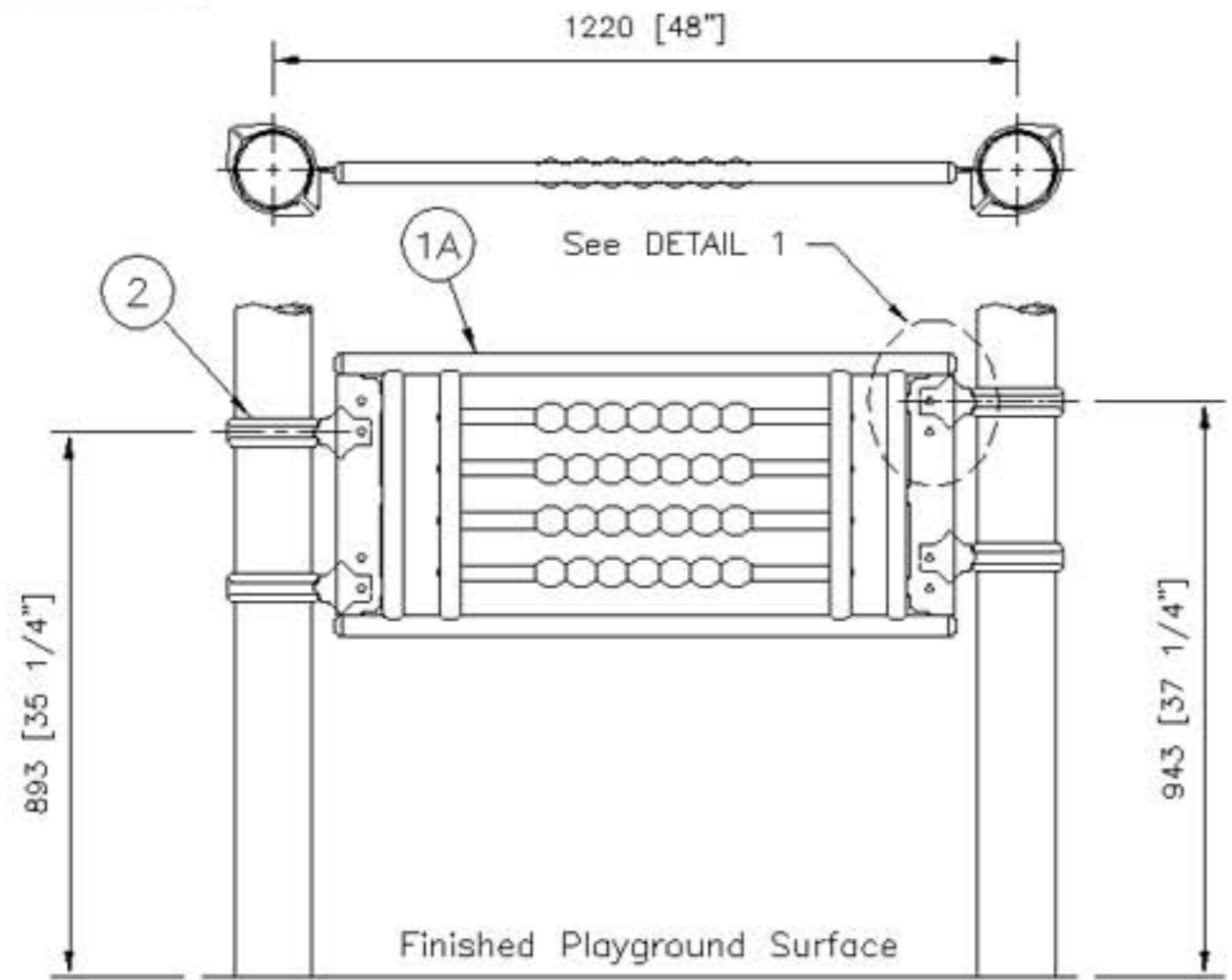
DETAIL 2  
(telescope panel only)



TELESCOPE PANEL



VEHICLE PANEL



ABACUS PANEL

PANEL REACH ABACUS KB	200200505
PANEL REACH GEAR KB	200200506
PANEL REACH MELODY MAKER KB	200200504
PANEL REACH VEHICLE KB	200200503

Item	Code	Description	Qty.
1A	-	PANEL KB REACH ABACUS	1
1B	-	PANEL KB REACH GEAR	
1C	-	PANEL KB REACH MELODY MAKER	
1D	-	PANEL KB REACH VEHICLE*	
2	-	KB WING CLAMP ASSEMBLY	4
*6*	-	*ASSEMBLY RAIL MOUNT F/ALUMINUM STEERING WHEEL*	*1*

HDWR BAG F/KB REACH PANELS 200150895

Item	Code	Description	Qty.
3	200002014	SCREW MACH BUTTONHEAD M10 X 1.50 X 20MM	4
4	200001945	NUT LOCK HEX NYLON INSERTED M10 X 1.5	4
5	200002079	WASHER FLAT M11 23 X 12 X 1.6	4

\* Steering Wheel used only on Vehicle Reach Panel \*

PANEL REACH TELESCOPE KB 200200507

Item	Code	Description	Qty.
1E	-	PANEL KB REACH TELESCOPE	1
2	-	KB WING CLAMP ASSEMBLY	4
7	-	ASSY TELESCOPE	1

HDWR BAG F/KB TELESCOPE REACH PANEL PTMT 200150880

Item	Code	Description	Qty.
3	200002014	SCREW MACH BUTTONHEAD M10 X 1.50 X 20MM	4
4	200001945	NUT LOCK HEX NYLON INSERTED M10 X 1.5	4
5	200002079	WASHER FLAT M11 23 X 12 X 1.6	4
8	200001954	BARREL NUT M10 X 1.50 (12.70 DIA X 32MM)	4
9	200099546	ROD THREADED M10 X 58MM ZN	2

Installation Instructions

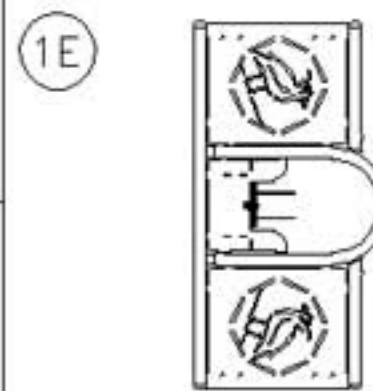
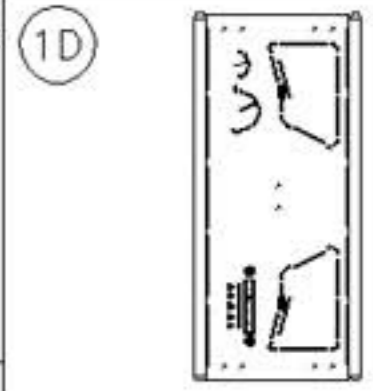
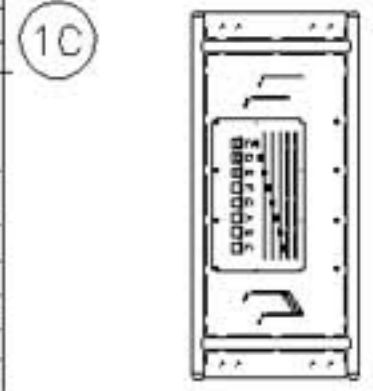
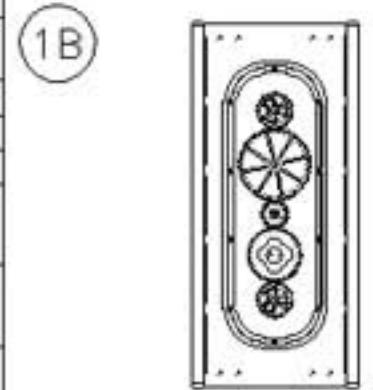
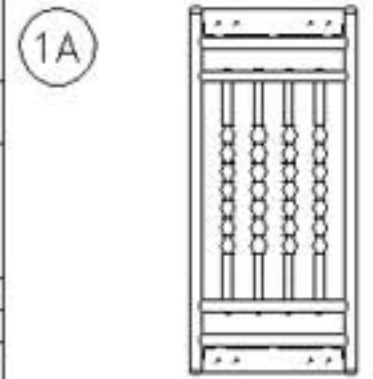
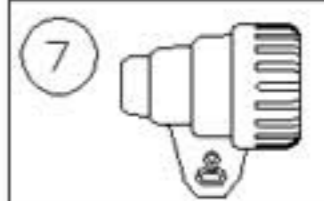
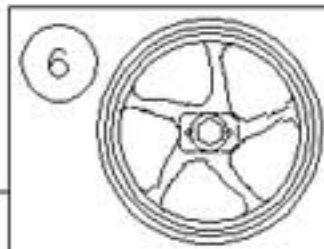
- Loosely attach wing clamps to posts. Refer to front of manual for clamp installation detail.
- Loosely attach clamps to the panel as shown in DETAIL 1. Note high side/low side clamp positioning.
- Elevate the clamps to the desired height, ensure panel is level, and tighten hardware. Install hammer drive pins.

For the Telescope Panel: Attach plastic telescope to the panel using hardware as shown in DETAIL 2.

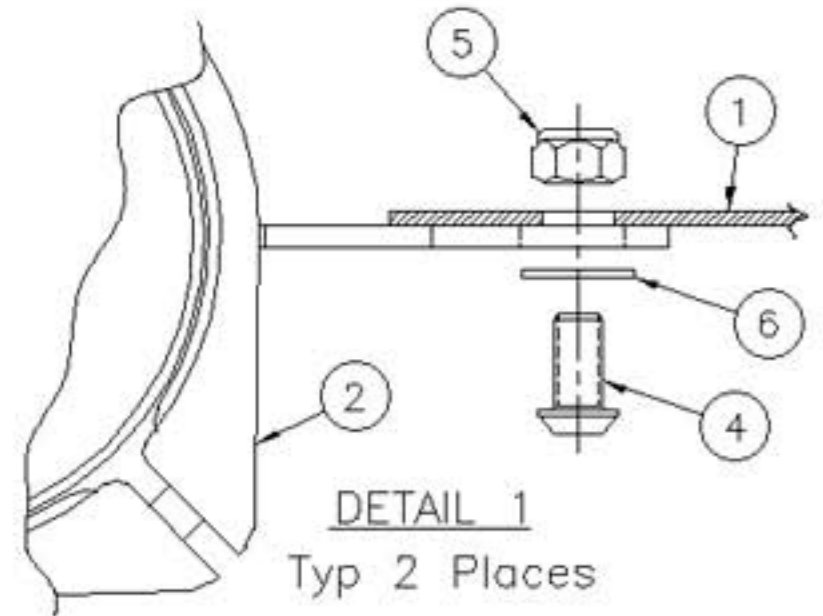
For the Vehicle Panel: Attach steering wheel assembly (refer to Instruction I900056).

Application

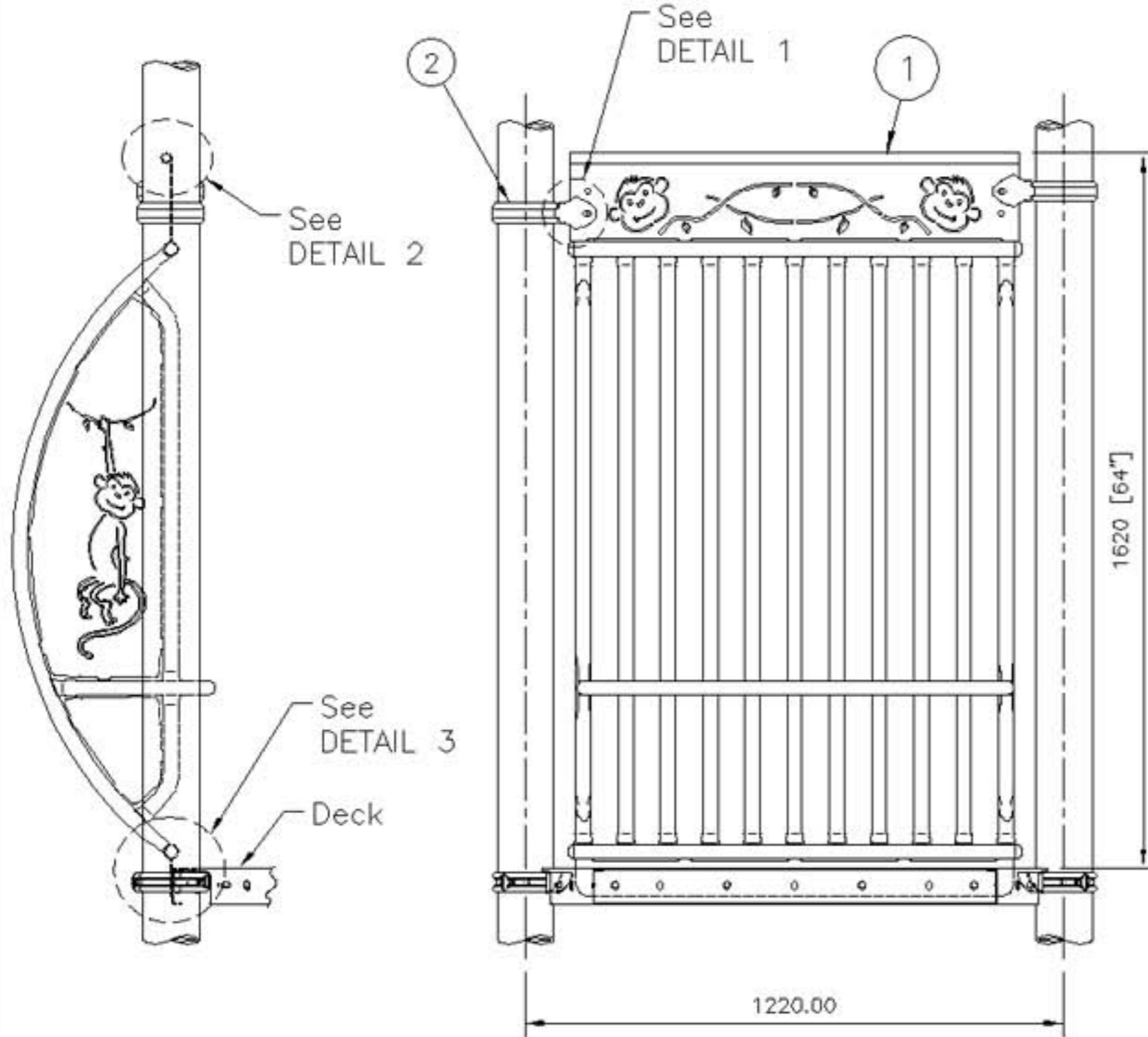
- When installing below deck, ensure no entrapment areas exist.
- For Front Reach Wheelchair access, leave a minimum of 508mm [20"] of clearance between the panel and the top of ground cover.



AUTHORIZED BY:  
*Joe Bitchett* 11JUN08



**NOTE:** Install Wing Clamp on Deck Side of Plate



## KB MONKEY LEANOUT SEAT PANEL 200200785

Item	Code	Description	Qty.
1	-	PANEL LEANOUT EXTERNAL F/SB	1
2	-	KB WING CLAMP	2

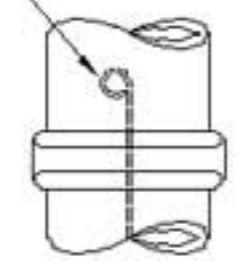
## HDWR BAG F/KB MONKEY LEANOUT PANELS 200158599

Item	Code	Description	Qty.
3	200002018	SCREW MACH BUTTONHEAD M10 X 1.50 X 25MM	4
4	200002014	SCREW MACH BUTTONHEAD M10 X 1.50 X 20MM	2
5	200001945	NUT LOCK HEX NYLON INSERTED M10 X 1.5	6
6	200002079	WASHER FLAT M11 23 X 12 X 1.6	12

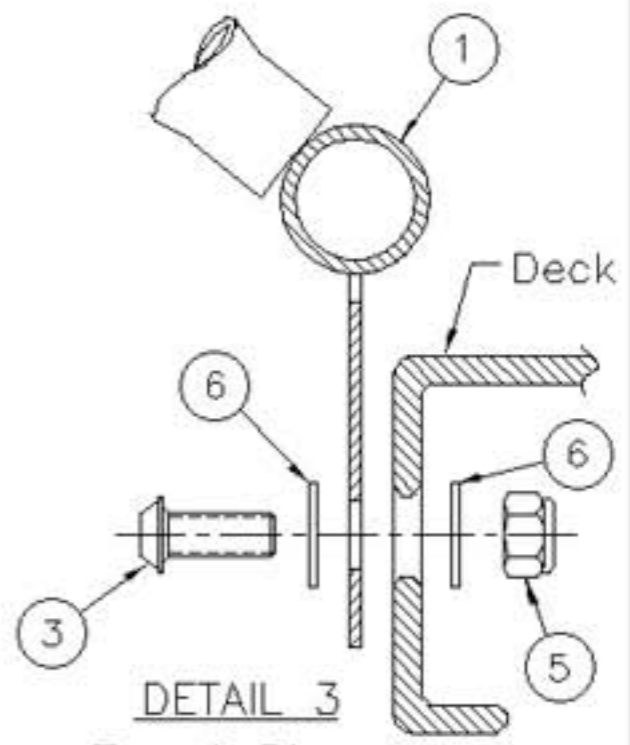
- Installation Instructions**
1. Check panel versus layout to make sure it is in the correct location for installation.
  2. Loosely attach clamps to the post (check orientation).
  3. Hold panel up in position (check orientation).
  4. Loosely attach panel to the deck as shown in DETAIL 3.
  5. Loosely attach panel to the clamps as shown in DETAIL 1.
  6. Tighten all hardware.
  7. Check for level and equal spacing between posts (adjust as necessary).



Bend direction is away from deck side

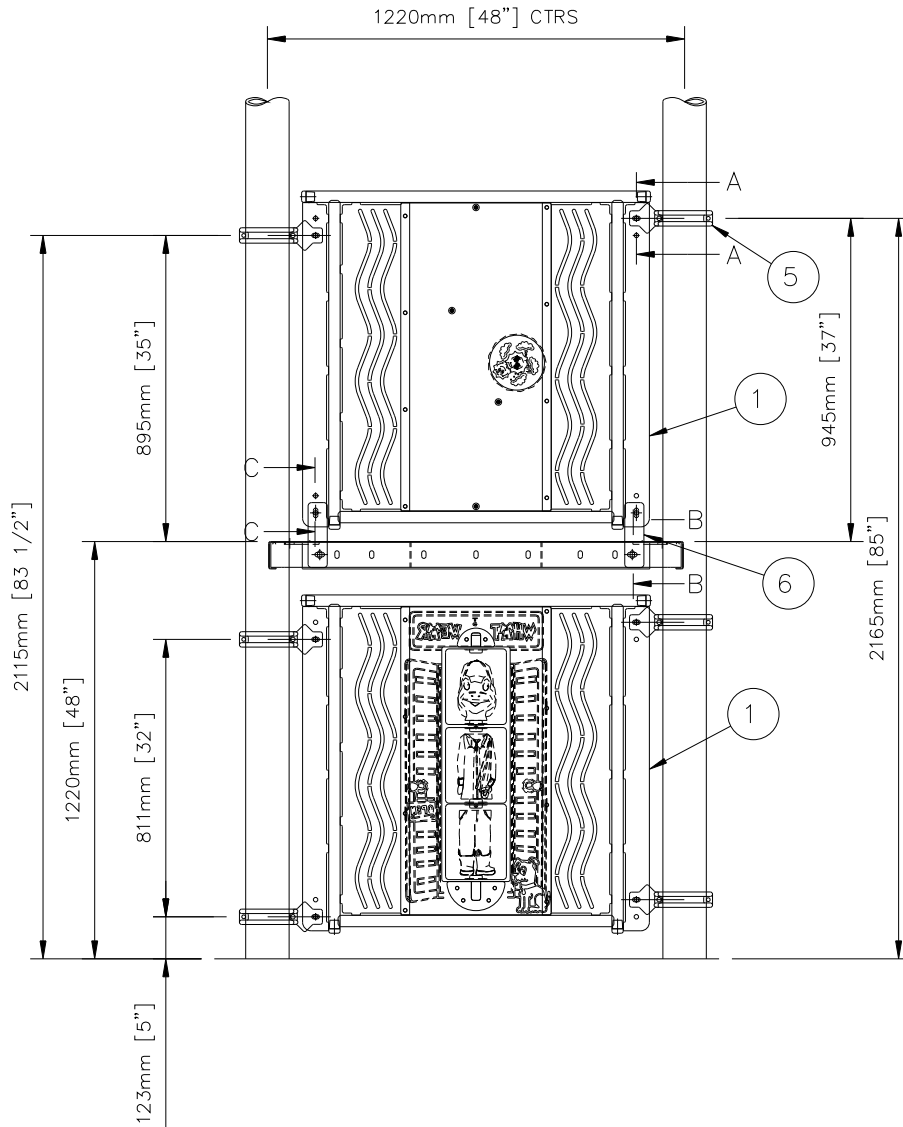
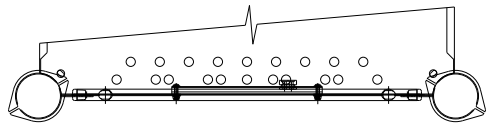


DETAIL 2



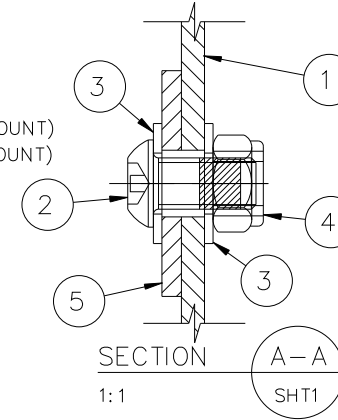
DETAIL 3  
Typ 4 Places

AUTHORIZED BY:  
*Joe Pitchett* 11JUN08

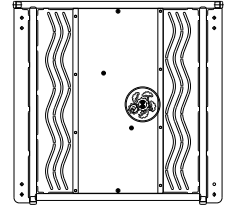


NOTE: FOR UNDERSURFACING & FOOTINGS REFER TO SEPARATE INSTRUCTIONS

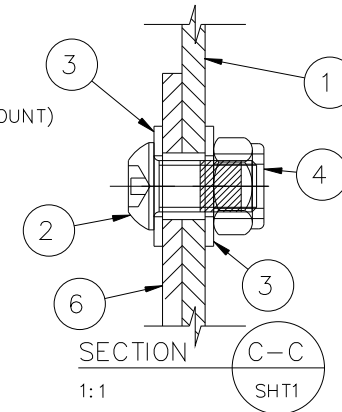
TYP 2 PLACES (DECK MOUNT)  
TYP 4 PLACES (POST MOUNT)



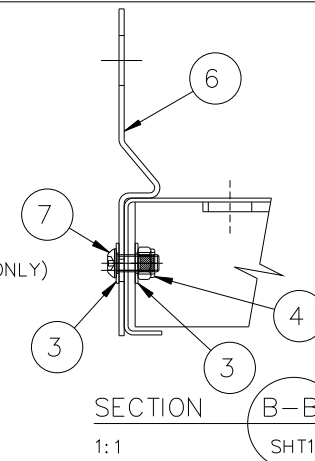
1



TYP 2 PLACES (DECK MOUNT)



TYP 2 PL (DECK MOUNT ONLY)





# KB WEATHER STATION PANELS (ABOVE & BELOW DECK)

200157316  
KB600037C  
Sheet 2 of 3

AUTHORIZED BY: 11JUN08  
*Joe Bitchett*

KB THERMOMETER PNL ABOVE DK  
200200713

KB FORECAST WEATHER PNL ABOVE DK  
200200722

KB FORECAST TEMP PNL ABOVE DK  
200200723

KB WHAT TO WEAR PNL ABOVE DK  
200200724

KB MATCHING GAME PNL ABOVE DK  
200200725

KB WEATHER GAME PNL ABOVE DK  
200200726

KB WEATHER CYCLE PNL ABOVE DK  
200200727

KB HEAT INDEX/WIND CHILL PNL ABOVE DK  
200200728

KB THERMOMETER PNL BELOW DK  
200200715

KB FORECAST WEATHER PNL BELOW DK  
200200736

KB FORECAST TEMP PNL BELOW DK  
200200737

KB WHAT TO WEAR PNL BELOW DK  
200200738

KB MATCHING GAME PNL BELOW DK  
200200739

KB WEATHER GAME PNL BELOW DK  
200200740

KB WEATHER CYCLE PNL BELOW DK  
200200741

KB HEAT INDEX/WIND CHILL PNL BELOW DK  
200200742

## Application

- Below deck installation requires a minimum deck height of 1220mm [48"].
- Avoid entrapment gaps between 89mm [3-1/2"] and 229mm [9"] when installing below deck.
- It is permissible to deviate from the standard hi/lo clamp configuration to avoid clamp conflict.

### ABOVE DECK MODEL

### BELOW DECK MODEL

Item	Code	Description	Qty.	Item	Code	Description	Qty.
1	-	KB WEATHER STATION PANEL	1	1	-	KB WEATHER STATION PANEL	1
5	-	KBP WING CLAMP	2	5	-	KBP WING CLAMP	4
6	-	TAB F/PANEL MOUNTING F/KB	2				

HDWR BAG F/WS PNL KB ABOVE DECK  
200157288

HDWR BAG F/WS PNL KB BELOW DECK      200157401

### ABOVE DECK MODEL

### BELOW DECK MODEL

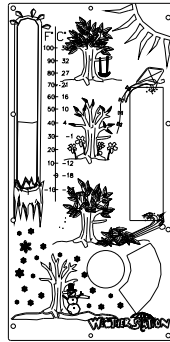
Item	Code	Description	Qty.	Item	Code	Description	Qty.
2	200002014	SCREW MACH BUTTONHEAD M10 X 1.50 X 20	4	2	200002014	SCREW MACH BUTTONHEAD M10 X 1.50 X 20	4
3	200002079	WASHER FLAT M11 23 X 12 X 1.6	12	3	200002079	WASHER FLAT M11 23 X 12 X 1.6	8
4	200001945	NUT LOCK HEX NYLON INSERTED M10 X 1.5	6	4	200001945	NUT LOCK HEX NYLON INSERTED M10 X 1.5	4
7	200002018	SCREW MACH BUTTONHEAD M10 X 1.50 X 25	2				

## Installation Instructions

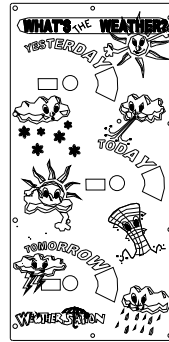
1. Loosely attach panel clamps to posts. Note high side/lo side clamps. Refer to the front of the manual for clamp detail.
2. Attach tab to deck (above deck installation) on the outer holes of the deck edge as shown in Section B-B. Note slot orientation.
3. Attach the panel to the clamps and tabs as shown in Section A-A.
4. Make sure panel is level and tighten all hardware.

\*NOTE:

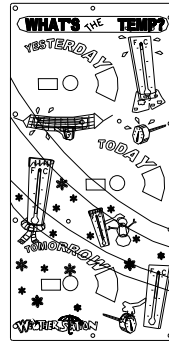
Do not put Thermometer panel in direct sunlight.\*



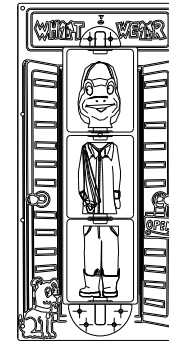
THERMOMETER



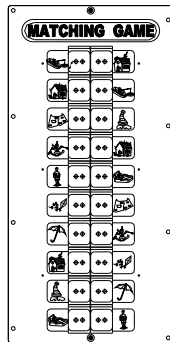
FORECAST WEATHER



FORECAST TEMP



WHAT TO WEAR



MATCHING GAME



WEATHER GAME



WEATHER CYCLE



HEAT INDEX/WIND CHILL

NOTE: FOR UNDERSURFACING & FOOTINGS REFER TO SEPARATE INSTRUCTIONS



## KB ACTIVITY PANEL FRAME DKMT, PTMT

**IMPORTANT!** Prior to installation of any components refer to the front of the **Manufacturer's Assembly** manual and applicable safety guidelines and/or standards. The *Manufacturer's Assembly Manual* will provide important tips pertaining to **site requirements, footings, hardware** and other necessary information **vital to the success of your installation.**

Models included in this installation guide:

<u>MODEL</u>	<u>DESCRIPTION</u>	<u>PAGE</u>
200203470	KB Activity Panel Frame DKMT	2, 16-18
200203471	KB Activity Panel Frame PTMT	2, 19, 20
200203611	KB Shapes Panel Arch Top DKMT	2, 16-18
200203612	KB Shapes Panel Arch Top PTMT	2, 19, 20
200203621	KB Disco Party Panel DKMT	3, 16-18
200203622	KB Disco Party Panel PTMT	3, 19, 20
200203623	KB Disco Party Reach Panel	3, 16-18
200203624	KB Living Art Panel DKMT	3, 16-18
200203625	KB Living Art Panel PTMT	3, 19, 20
200203626	KB Living Art Reach Panel	3, 16-18
200203627	KB Scrambled Scales Panel DKMT	4, 16-18
200203628	KB Scrambled Scales Panel PTMT	4, 19, 20
200203629	KB Scrambled Scales Reach Panel	4, 16-18
200203630	KB Silly Face Panel DKMT	4, 16-18, 25
200203631	KB Silly Face Panel PTMT	4, 19, 20, 25
200203632	KB Silly Face Reach Panel	4, 16-18, 25
200203633	KB Simon Says Panel DKMT	5, 16-18, 25
200203634	KB Simon Says Panel PTMT	5, 19, 20, 25
200203635	KB Simon Says Reach Panel	5, 16-18, 25

*Note:*

- Deck system and posts are not included in this assembly.
- An (\*) by part numbers (CODE) indicate: Color Code Required.

KB ACTIVITY PANEL FRAME DKMT, PTMT

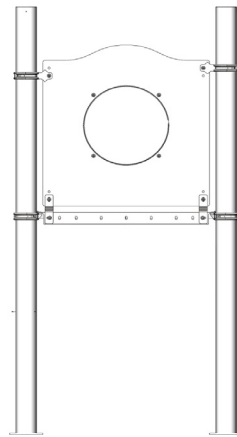
KB600049



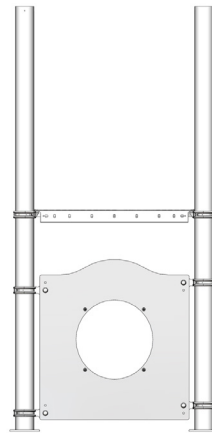


# KB ACTIVITY PANEL FRAME DKMT, PTMT

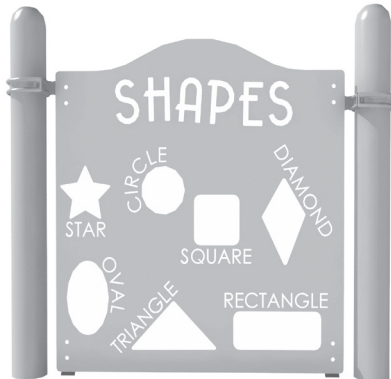
**KB Activity Panel Frame DKMT  
Model 200203470**



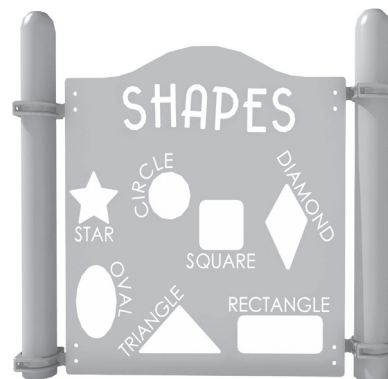
**KB Activity Panel Frame PTMT  
Model 200203471**



**KB Shapes Panel Arch Top DKMT  
Model 200203611**



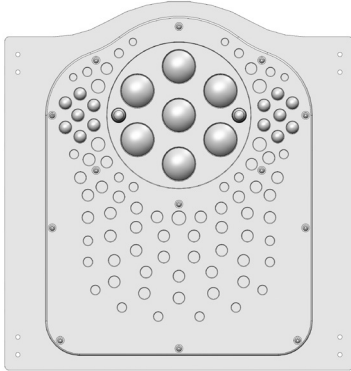
**KB Shapes Panel Arch Top PTMT  
Model 200203612**



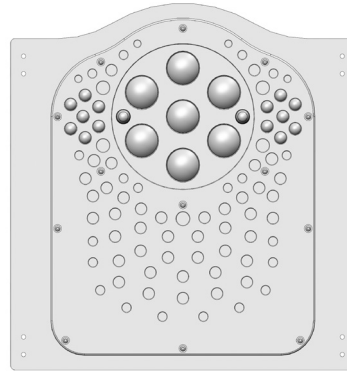


# KB ACTIVITY PANEL FRAME DKMT, PTMT

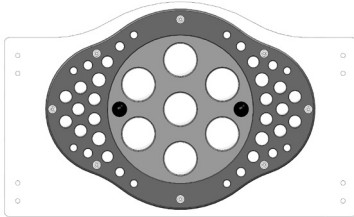
**KB Disco Party Panel DKMT**  
Model 200203621



**KB Disco Party Panel PTMT**  
Model 200203622



**KB Disco Party Reach Panel**  
Model 200203623



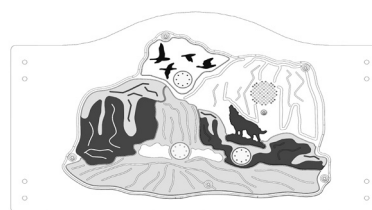
**KB Living Art Panel DKMT**  
Model 200203624



**KB Living Art Panel PTMT**  
Model 200203625



**KB Living Art Reach Panel**  
Model 200203626



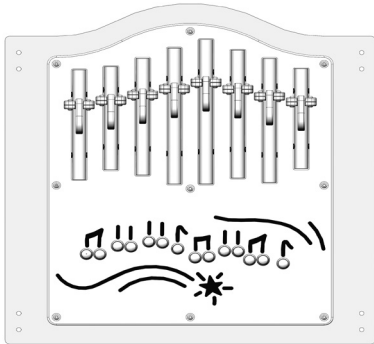
KB ACTIVITY PANEL FRAME DKMT, PTMT

KB600049

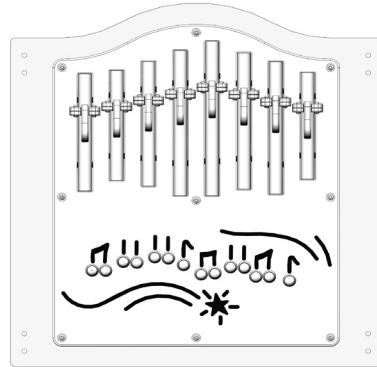


# KB ACTIVITY PANEL FRAME DKMT, PTMT

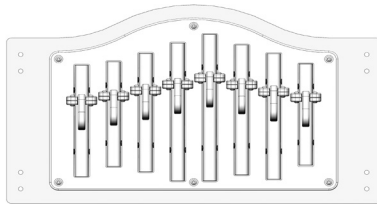
**KB Scrambled Scales Panel DKMT**  
Model 200203627



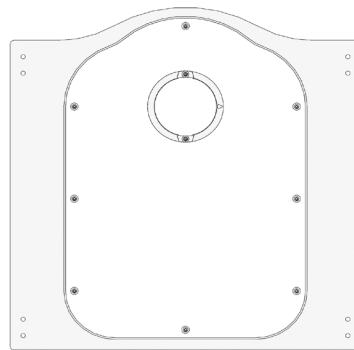
**KB Scrambled Scales Panel PTMT**  
Model 200203628



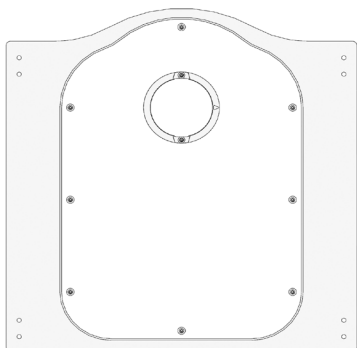
**KB Scrambled Scales Reach Panel**  
Model 200203629



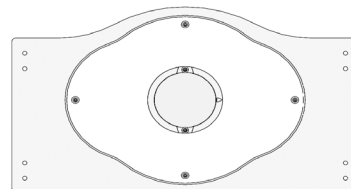
**KB Silly Face Panel DKMT**  
Model 200203630



**KB Silly Face Panel PTMT**  
Model 200203631



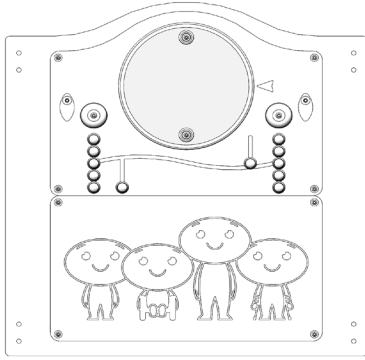
**KB Silly Face Reach Panel**  
Model 200203632



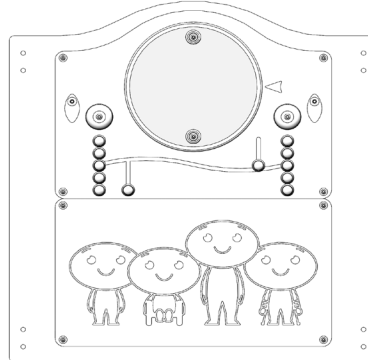


# KB ACTIVITY PANEL FRAME DKMT, PTMT

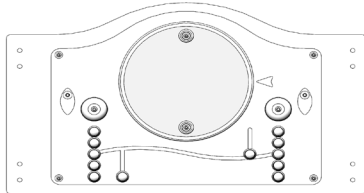
**KB Simon Says Panel DKMT**  
Model 200203633



**KB Simon Says Panel PTMT**  
Model 200203634



**KB Simon Says Reach Panel**  
Model 200203635



THIS SPACE INTENTIONALLY LEFT BLANK

KB ACTIVITY PANEL FRAME DKMT, PTMT

KB600049

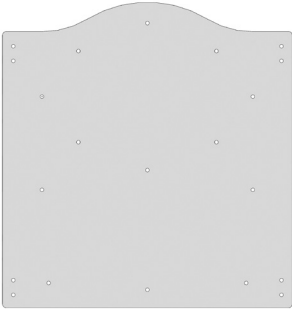
**KB ACTIVITY PANEL FRAME DKMT, PTMT**



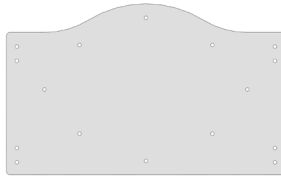
# KB ACTIVITY PANEL FRAME DKMT, PTMT

## ACTIVITY PANEL OPTIONS

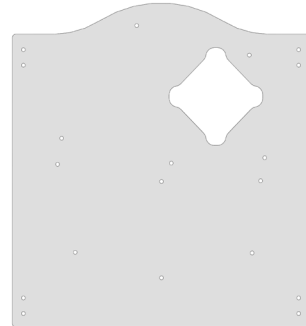
**PN 926511\***  
**KB DISCO PARTY**  
**FULL PANEL**



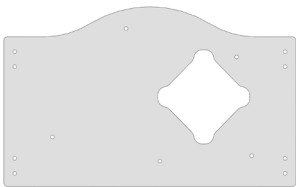
**PN 926507\***  
**KB DISCO PARTY**  
**REACH PANEL**



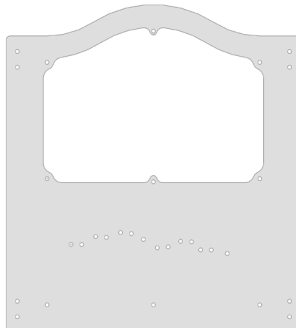
**PN 926517\***  
**KB LIVING ART**  
**FULL PANEL**



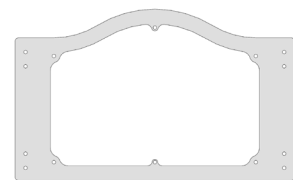
**PN 926514\***  
**KB LIVING ART**  
**REACH PANEL**



**PN 926523\***  
**KB SCRAMBLED**  
**SCALES FULL PANEL**



**PN 926520\***  
**KB SCRAMBLED**  
**SCALES**  
**REACH PANEL**



THIS SPACE INTENTIONALLY LEFT BLANK

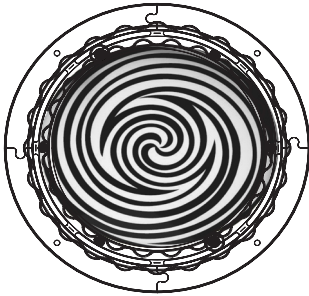
**KB600049**



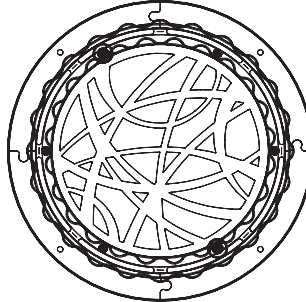
# KB ACTIVITY PANEL FRAME DKMT, PTMT

## ACTIVITY PANEL INSERT OPTIONS

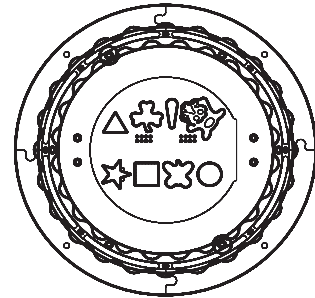
**PN 200203474**  
**Hypnotize Insert**



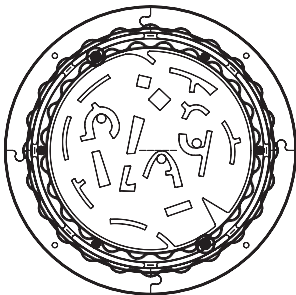
**PN 200203475**  
**Funhouse Insert**



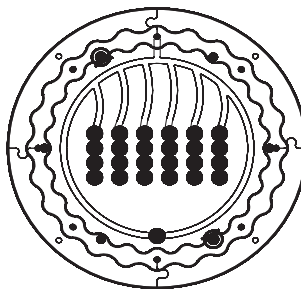
**PN 200203476**  
**Very Buried Insert**



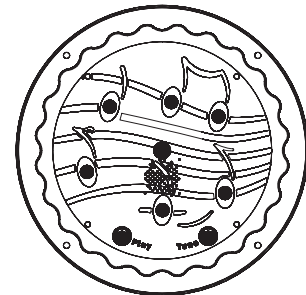
**PN 200203477**  
**A-maze-ing Insert**



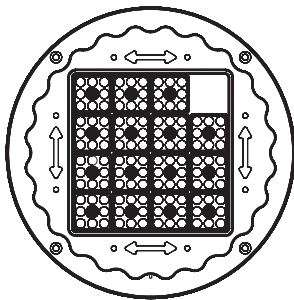
**PN 200203478**  
**Four-the-Win Insert**



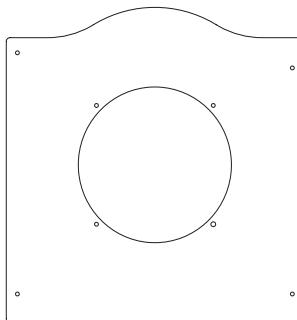
**PN 200203479**  
**Magical Music Insert**



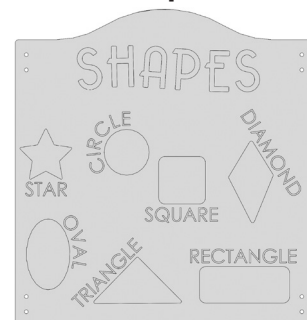
**PN 200203480**  
**Slide & Solve Insert**



**PN 923424\***  
**Activity Panel Frame**



**PN 926273\***  
**Panel Routed Arch Top Shapes**



KB ACTIVITY PANEL FRAME DKMT, PTMT

KB600049

KB ACTIVITY PANEL FRAME DKMT, PTMT



## KB ACTIVITY PANEL FRAME DKMT, PTMT

### 200203470 KB ACTIVITY PANEL FRAME DKMT

CODE	DESCRIPTION	QTY
923424*	KB ACTIVITY PANEL FRAME	1
909257*	CLAMP WING F/KB	2
910452*	TAB F/PANEL MOUNTING F/KB	2
910918*	CAP HARDWARE BASE	4
910917*	CAP HARDWARE COVER	4
HW2CLMPSET-1	HRDW PKG F/2SETS O/CLAMPS 1/1	1
HW923327-1	HRDW PKG F/PLAY PANEL KB S1/1	1

### 200203471 KB ACTIVITY PANEL FRAME PTMT

CODE	DESCRIPTION	QTY
923424*	KB ACTIVITY PANEL FRAME	1
909257*	CLAMP WING F/KB	4
910918*	CAP HARDWARE BASE	4
910917*	CAP HARDWARE COVER	4
HW2CLMPSET-1	HRDW PKG F/2SETS O/CLAMPS	2
HW923326-1	HRDW PKG F/PLAY PANEL LT	1

### 200203611 KB SHAPES PANEL ARCH TOP DKMT

CODE	DESCRIPTION	QTY
926273*	PANEL ROUTED ARCH TOP SHAPES	1
909257*	CLAMP WING F/KB	2
910452*	TAB F/PANEL MOUNTING F/KB (2001)	2
910918*	CAP HARDWARE BASE	4
910917*	CAP HARDWARE COVER	4
HW2CLMPSET-1	HRDW PKG F/2SETS O/CLAMPS 1/1	1
HW923327-1	HRDW PKG F/PLAY PANEL KB S1/1	1

### 200203612 KB SHAPES PANEL ARCH TOP PTMT

CODE	DESCRIPTION	QTY
926273*	PANEL ROUTED ARCH TOP SHAPES	1
909257*	CLAMP WING F/KB	4
910918*	CAP HARDWARE BASE	4
910917*	CAP HARDWARE COVER	4
HW2CLMPSET-1	HRDW PKG F/2SETS O/CLAMPS 1/1	2
HW923326-1	HRDW PKG F/PLAY PANEL LT	1

KB600049



## KB ACTIVITY PANEL FRAME DKMT, PTMT

### 200203621 KB DISCO PARTY PANEL DKMT

CODE	DESCRIPTION	QTY
926511*	KB DISCO PARTY FULL PANEL	1
926510*	DISCO PARTY FULL PANEL SPACER	1
926509	DISCO PARTY FULL PANEL INSERT	1
910452*	TAB F/PANEL MOUNTING F/KB (2001)	2
909257*	CLAMP WING F/KB (2001)	2
910918*	CAP HARDWARE BASE	4
910917*	CAP HARDWARE COVER	4
HW2CLMPSET-1	HRDW PKG F/2SETS O/CLAMPS 1/1	1
HW923327-1	HRDW PKG F/PLAY PANEL KB S1/1	1
HW203621-1	HRDW PKG DISCO FULL PAN L1/1	1

### 200203622 KB DISCO PARTY PANEL PTMT

CODE	DESCRIPTION	QTY
926511*	KB DISCO PARTY FULL PANEL	1
926510*	DISCO PARTY FULL PANEL SPACER	1
926509	DISCO PARTY FULL PANEL INSERT	1
909257*	CLAMP WING F/KB (2001)	4
910918*	CAP HARDWARE BASE	4
910917*	CAP HARDWARE COVER	4
HW2CLMPSET-1	HRDW PKG F/2SETS O/CLAMPS	2
HW923326-1	HRDW PKG F/PLAY PANEL LT	1
HW203621-1	HRDW PKG DISCO FULL PAN L1/1	1

### 200203623 KB DISCO PARTY REACH PANEL

CODE	DESCRIPTION	QTY
926507*	KB DISCO PARTY REACH PANEL	1
926506*	DISCO PARTY REACH PANEL SPACER	1
926505	DISCO PARTY REACH PANEL INSERT	1
909257*	CLAMP WING F/KB (2001)	4
910918*	CAP HARDWARE BASE	4
910917*	CAP HARDWARE COVER	4
HW2CLMPSET-1	HRDW PKG F/2SETS O/CLAMPS 1/1	2
HW923326-1	HRDW PKG F/PLAY PANEL LT S1/1	1
HW203623-1	HRDW PKG DISCO REACH PAN S1/1	1

**KB ACTIVITY PANEL FRAME DKMT, PTMT**

**KB600049**



KB ACTIVITY PANEL FRAME DKMT, PTMT



## KB ACTIVITY PANEL FRAME DKMT, PTMT

### 200203624 KB LIVING ART PANEL DKMT

CODE	DESCRIPTION	QTY
926517*	KB LIVING ART FULL PANEL	1
926513	LIVING ART REACH PANEL INSERT	1
926516	LIVING ART FULL PANEL ADDITION	1
910452*	TAB F/PANEL MOUNTING F/KB (2001)	2
909257*	CLAMP WING F/KB (2001)	2
910918*	CAP HARDWARE BASE	4
910917*	CAP HARDWARE COVER	4
HW2CLMPSET-1	HRDW PKG F/2SETS O/CLAMPS 1/1	1
HW923327-1	HRDW PKG F/PLAY PANEL KB S1/1	1
HW203624-1	HRDW PKG ART FULL PAN L1/1	1

### 200203625 KB LIVING ART PANEL PTMT

CODE	DESCRIPTION	QTY
926517*	KB LIVING ART FULL PANEL	1
926513	LIVING ART REACH PANEL INSERT	1
926516	LIVING ART FULL PANEL ADDITION	1
909257*	CLAMP WING F/KB (2001)	4
910918*	CAP HARDWARE BASE	4
910917*	CAP HARDWARE COVER	4
HW2CLMPSET-1	HRDW PKG F/2SETS O/CLAMPS 1/1	2
HW923326-1	HRDW PKG F/PLAY PANEL KB S1/1	1
HW203624-1	HRDW PKG ART FULL PAN L1/1	1

### 200203626 KB LIVING ART REACH PANEL

CODE	DESCRIPTION	QTY
926514*	KB LIVING ART REACH PANEL	1
926513	LIVING ART REACH PANEL INSERT	1
909257*	CLAMP WING F/KB (2001)	4
910918*	CAP HARDWARE BASE	4
910917*	CAP HARDWARE COVER	4
HW2CLMPSET-1	HRDW PKG F/2SETS O/CLAMPS 1/1	2
HW923326-1	HRDW PKG F/PLAY PANEL KB S1/1	1
HW203626-1	HRDW PKG LIV ART REACH PAN S1/1	1

KB600049



## KB ACTIVITY PANEL FRAME DKMT, PTMT

200203627 KB SCRAMBLED SCALES PANEL DKMT		
CODE	DESCRIPTION	QTY
926523*	KB SCRAMBLED SCALES FULL PANEL	1
926522	SCRAMBLED SCALES FULL PANEL INSERT	1
909257*	CLAMP WING F/KB	2
910452*	TAB F/PANEL MOUNTING F/KB (2001)	2
910918*	CAP HARDWARE BASE	4
910917*	CAP HARDWARE COVER	4
HW2CLMPSET-1	HRDW PKG F/2SETS O/CLAMPS 1/1	1
HW923327-1	HRDW PKG F/PLAY PANEL KB S1/1	1
910917CTS	CAP HARDWARE COVER	4
910918CTS	CAP HARDWARE BASE	4
910917PLM	CAP HARDWARE COVER	4
910918PLM	CAP HARDWARE BASE	4
910917LGY	CAP HARDWARE COVER	4
910918LGY	CAP HARDWARE BASE	4
910917AZR	CAP HARDWARE COVER	2
910918AZR	CAP HARDWARE BASE	2
910917FRG	CAP HARDWARE COVER	2
910918FRG	CAP HARDWARE BASE	2
910917YLW	CAP HARDWARE COVER	4
910918YLW	CAP HARDWARE BASE	4
910917ORN	CAP HARDWARE COVER	4
910918ORN	CAP HARDWARE BASE	4
910917RED	CAP HARDWARE COVER	4
910918RED	CAP HARDWARE BASE	4
HW203627-1	HRDW PKG SCRAMBLED SCALES PAN L1/1	1

THIS SPACE INTENTIONALLY LEFT BLANK

KB ACTIVITY PANEL FRAME DKMT, PTMT

KB600049

KB ACTIVITY PANEL FRAME DKMT, PTMT



## KB ACTIVITY PANEL FRAME DKMT, PTMT

### 200203628 KB SCRAMBLED SCALES PANEL PTMT

CODE	DESCRIPTION	QTY
926523*	KB SCRAMBLED SCALES FULL PANEL	1
926522	SCRAMBLED SCALES FULL PANEL INSERT	1
909257*	CLAMP WING F/KB	4
910918*	CAP HARDWARE BASE	4
910917*	CAP HARDWARE COVER	4
HW2CLMPSET-1	HRDW PKG F/2SETS O/CLAMPS 1/1	2
HW923326-1	HRDW PKG F/PLAY PANEL LT S1/1	1
910917CTS	CAP HARDWARE COVER	4
910918CTS	CAP HARDWARE BASE	4
910917PLM	CAP HARDWARE COVER	4
910918PLM	CAP HARDWARE BASE	4
910917LGY	CAP HARDWARE COVER	4
910918LGY	CAP HARDWARE BASE	4
910917AZR	CAP HARDWARE COVER	2
910918AZR	CAP HARDWARE BASE	2
910917FRG	CAP HARDWARE COVER	2
910918FRG	CAP HARDWARE BASE	2
910917YLW	CAP HARDWARE COVER	4
910918YLW	CAP HARDWARE BASE	4
910917ORN	CAP HARDWARE COVER	4
910918ORN	CAP HARDWARE BASE	4
910917RED	CAP HARDWARE COVER	4
910918RED	CAP HARDWARE BASE	4
HW203627-1	HRDW PKG SCRAMBLED SCALES PAN L1/1	1

### 200203629 KB SCRAMBLED SCALES REACH PANEL

CODE	DESCRIPTION	QTY
926520*	KB SCRAMBLED SCALES REACH PANEL	1
926519	SCRAMBLED SCALES REACH PANEL INSERT	1
909257*	CLAMP WING F/KB	4
910918*	CAP HARDWARE BASE	4
910917*	CAP HARDWARE COVER	4
HW2CLMPSET-1	HRDW PKG F/2SETS O/CLAMPS 1/1	2
HW923326-1	HRDW PKG F/PLAY PANEL LT S1/1	1
HW203629-1	HRDW PKG SCRAM SCALES REACH PAN S1/1	1

KB600049



## KB ACTIVITY PANEL FRAME DKMT, PTMT

<b>200203630 KB SILLY FACE PANEL DKMT</b>		
CODE	DESCRIPTION	QTY
927176*	KB SILLY FACE TALL ASSEMBLY	1
909257*	CLAMP WING F/KB	2
910452*	TAB F/PANEL MOUNTING F/KB (2001)	2
910918*	CAP HARDWARE BASE	8
910917*	CAP HARDWARE COVER	8
HW2CLMPSET-1	HRDW PKG F/2SETS O/CLAMPS 1/1	1
HW923327-1	HRDW PKG F/PLAY PANEL KB S1/1	1
<b>200203631 KB SILLY FACE PANEL PTMT</b>		
CODE	DESCRIPTION	QTY
927176*	KB SILLY FACE TALL ASSEMBLY	1
909257*	CLAMP WING F/KB	4
910918*	CAP HARDWARE BASE	8
910917*	CAP HARDWARE COVER	8
HW2CLMPSET-1	HRDW PKG F/2SETS O/CLAMPS 1/1	2
HW923326-1	HRDW PKG F/PLAY PANEL LT S1/1	1
<b>200203632 KB SILLY FACE REACH PANEL</b>		
CODE	DESCRIPTION	QTY
927175*	KB SILLY FACE REACH ASSEMBLY	1
909257*	CLAMP WING F/KB	4
910918*	CAP HARDWARE BASE	8
910917*	CAP HARDWARE COVER	8
HW2CLMPSET-1	HRDW PKG F/2SETS O/CLAMPS 1/1	2
HW923326-1	HRDW PKG F/PLAY PANEL LT S1/1	1
<b>200203633 KB SIMON SAYS PANEL DKMT</b>		
CODE	DESCRIPTION	QTY
927174*	KB SIMON SAYS TALL ASSEMBLY	1
909257*	CLAMP WING F/KB	2
910452*	TAB F/PANEL MOUNTING F/KB (2001)	2
910918*	CAP HARDWARE BASE	8
910917*	CAP HARDWARE COVER	8
HW2CLMPSET-1	HRDW PKG F/2SETS O/CLAMPS 1/1	1
HW923327-1	HRDW PKG F/PLAY PANEL KB S1/1	1

KB ACTIVITY PANEL FRAME DKMT, PTMT

KB600049

KB ACTIVITY PANEL FRAME DKMT, PTMT



## KB ACTIVITY PANEL FRAME DKMT, PTMT

### 200203634 KB SIMON SAYS PANEL PTMT

CODE	DESCRIPTION	QTY
927174*	KB SIMON SAYS TALL ASSEMBLY	1
909257*	CLAMP WING F/KB	4
910918*	CAP HARDWARE BASE	8
910917*	CAP HARDWARE COVER	8
HW2CLMPSET-1	HRDW PKG F/2SETS O/CLAMPS 1/1	2
HW923326-1	HRDW PKG F/PLAY PANEL LT S1/1	1

### 200203635 KB SIMON SAYS REACH PANEL

CODE	DESCRIPTION	QTY
927173*	KB SIMON SAYS REACH ASSEMBLY	1
909257*	CLAMP WING F/KB	4
910918*	CAP HARDWARE BASE	8
910917*	CAP HARDWARE COVER	8
HW2CLMPSET-1	HRDW PKG F/2SETS O/CLAMPS 1/1	2
HW923326-1	HRDW PKG F/PLAY PANEL LT S1/1	1

**Note: Hardware used for both DKMT and PTMT models.**

#### HRDW PKG F/2SETS O/CLAMPS 1/1 - HW2CLMPSET-1

CODE	DESCRIPTION	QTY
200002018	SCREW MACH BUTTONHEAD M10 X 1.50 X 25MM	4
200000797	HAMMER DRIVE PIN 4.7 X 11.11MM	4
200001966	T-NUT SLAB BASE M10 X 1.50 X 9.5MM	4

#### HRDW PKG F/PLAY PANEL LT S1/1 - HW923326-1

CODE	DESCRIPTION	QTY
200002133	BOLT M8 X 1.25 MALE 27.5MM	4
200002145	BOLT M8 X 1.25 FEMALE 10.3 X 30MM	4
200002079	WASHER FLAT M11 23 X 12 X 1.6MM	8

THIS SPACE INTENTIONALLY LEFT BLANK

KB600049



## KB ACTIVITY PANEL FRAME DKMT, PTMT

**Note: Hardware used for both DKMT and PTMT models.**

### HRDW PKG F/PLAY PANEL KB S1/1 - HW923327-1

CODE	DESCRIPTION	QTY
200002133	BOLT M8 X 1.25 MALE 27.5MM	4
200002079	WASHER FLAT M11 23 X 12 X 1.6MM	12
200002145	BOLT M8 X 1.25 FEMALE 10.3 X 30MM	4
200002018	SCREW MACH BUTTONHEAD M10 X 1.50 X 25MM	2
200001945	NUT LOCK HEX NYLON INSERTED M10 X 1.5	2

### HRDW PKG DISCO FULL PAN L1/1 - HW203621-1

CODE	DESCRIPTION	QTY
200002145	BOLT M8 X 1.25 FEMALE 10.3 X 30MM	13
200002138	BOLT M8 X 1.25 MALE 42.5MM	13
200002079	WASHER FLAT M11 23 X 12 X 1.6MM	26

### HRDW PKG ART FULL PAN L1/1 - HW203624-1

CODE	DESCRIPTION	QTY
200002145	BOLT M8 X 1.25 FEMALE 10.3 X 30MM	11
200002138	BOLT M8 X 1.25 MALE 42.5MM	1
200002079	WASHER FLAT M11 23 X 12 X 1.6MM	22
200002133	BOLT M8 X 1.25 MALE 27.5MM	10

### HRDW PKG LIV ART REACH PAN S1/1 - HW203626-1

CODE	DESCRIPTION	QTY
200002145	BOLT M8 X 1.25 FEMALE 10.3 X 30MM	5
200002138	BOLT M8 X 1.25 MALE 42.5MM	1
200002079	WASHER FLAT M11 23 X 12 X 1.6MM	10
200002133	BOLT M8 X 1.25 MALE 27.5MM	4

### HRDW PKG SCRAMBLED SCALES PAN L1/1 - HW203627-1

CODE	DESCRIPTION	QTY
200002145	BOLT M8 X 1.25 FEMALE 10.3 X 30MM	23
200002133	BOLT M8 X 1.25 MALE 27.5MM	23
200002079	WASHER FLAT M11 23 X 12 X 1.6MM	46

KB ACTIVITY PANEL FRAME DKMT, PTMT

KB600049



## KB ACTIVITY PANEL FRAME DKMT, PTMT

**Note: Hardware used for both DKMT and PTMT models.**

### HRDW PKG SCRAM SCALES REACH PAN S1/1 - HW203629-1

CODE	DESCRIPTION	QTY
200002145	BOLT M8 X 1.25 FEMALE 10.3 X 30MM	6
200002133	BOLT M8 X 1.25 MALE 27.5MM	6
200002079	WASHER FLAT M11 23 X 12 X 1.6MM	12

### Activity Panel Inserts

CODE	DESCRIPTION	HRDW PKG	QTY
200203474	HYPNOTIZE INSERT	HW923326-1	1
200203475	FUNHOUSE INSERT	HW923326-1	1
200203476	VERY BURIED INSERT	HW923326-1	1
200203477	A-MAZE-ING INSERT	HW923326-1	1
200203478	FOUR-THE-WIN INSERT	HW923326-1	1
200203479	MAGICAL MUSIC INSERT	HW923326-1	1
200203480	SLIDE & SOLVE INSERT	HW923326-1	1

## **STEP 1** DECK AND POST FOOTINGS

1a. Deck and posts are in place per *Footing Layout* and Construction Drawings.

1b. Installation Options:

- Above deck
- Panel is below 1422mm [56"] deck
- Panel is below 1625mm [64"] deck, or higher
- Freestanding

*Note: Freestanding option uses same BOM as Model 200203471 and 200203612.*

### A. INSTALLATION FOR ALL ABOVE DECK (DKMT) MODELS

## **STEP 2** DRILL EXCESS PVC FROM DECK MATING BOLT HOLES

2a. Use drill to remove excess PVC from holes in the deck for the mounting tabs.

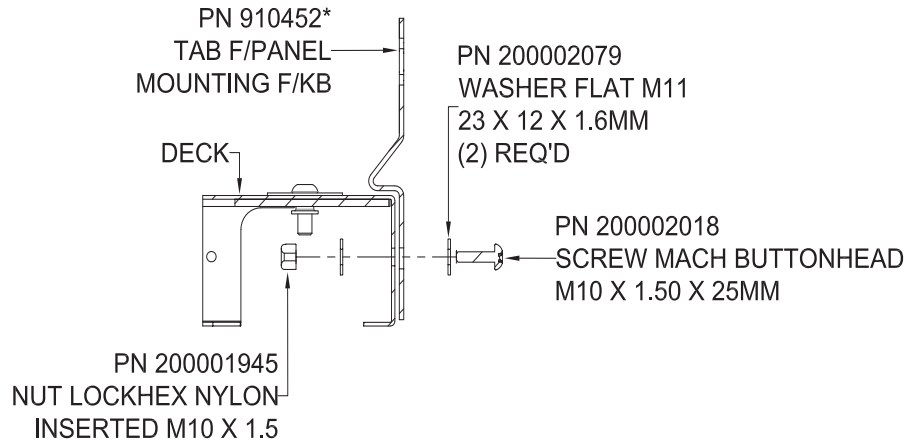


# KB ACTIVITY PANEL FRAME DKMT, PTMT

A. INSTALLATION FOR ALL ABOVE DECK (DKMT) MODELS *cont.*

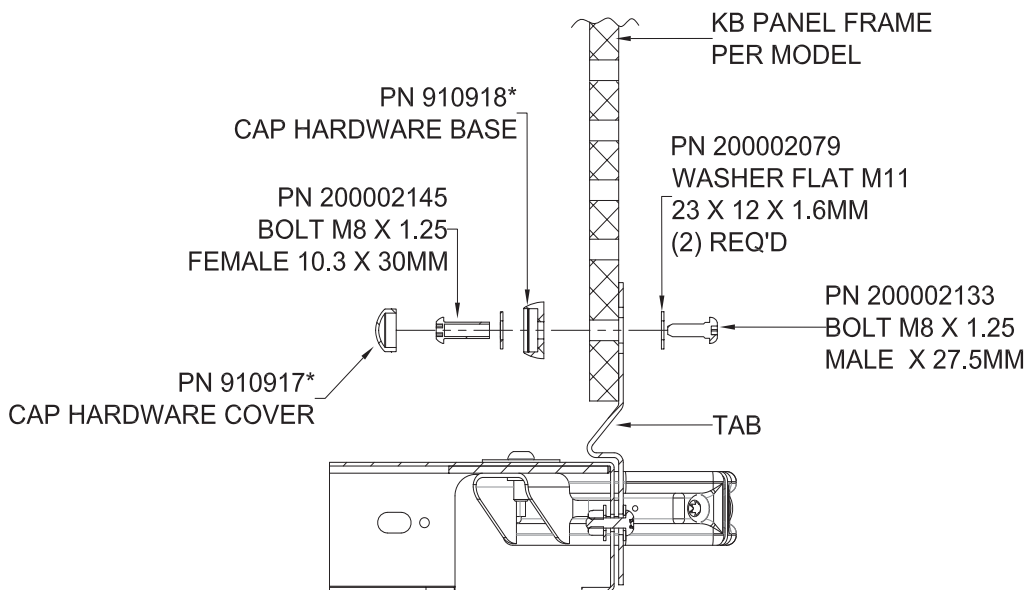
## STEP 3 LOOSELY ATTACH TABS TO DECK

3a. Locate tabs and attach to deck side for panel placement as shown. Total of two (2) locations.



## STEP 4 LOOSELY ATTACH PANEL TO TABS

4a. Locate the panel, per customer model, and attach to the tabs on the deck. Total of two (2) locations.



KB ACTIVITY PANEL FRAME DKMT, PTMT

KB600049





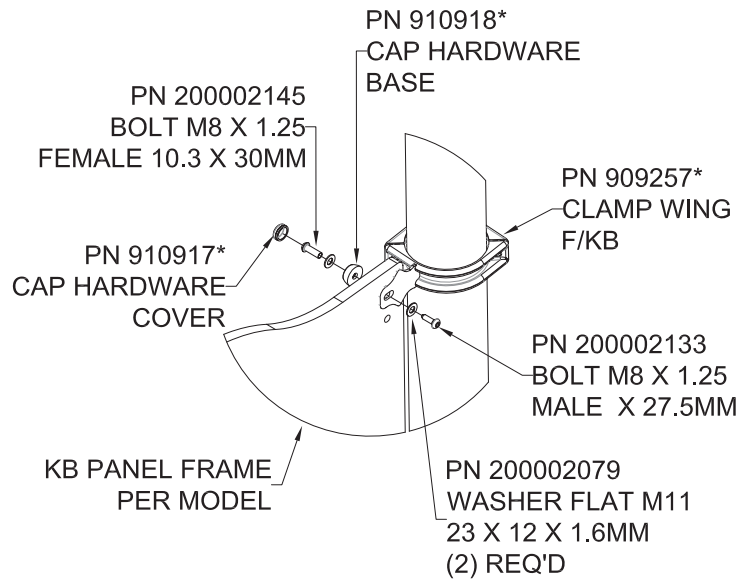
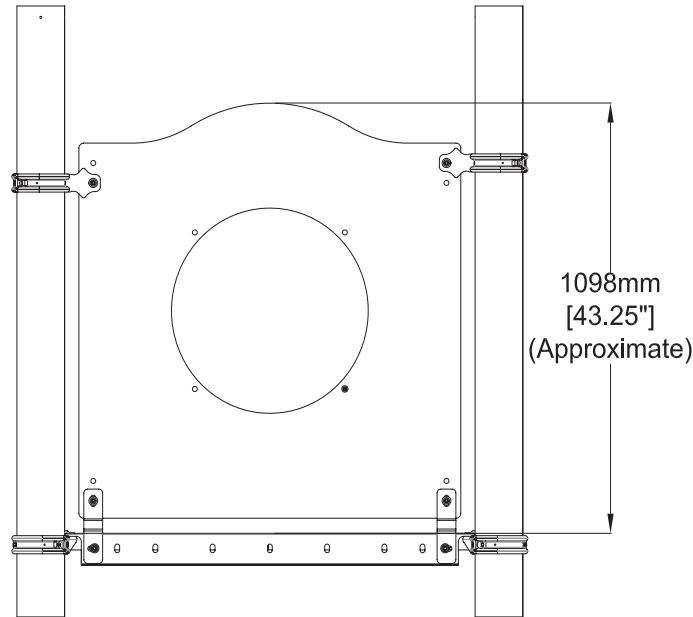
# KB ACTIVITY PANEL FRAME DKMT, PTMT

## A. INSTALLATION FOR ALL ABOVE DECK (DKMT) MODELS *cont.*

### **STEP 5** LOOSELY ATTACH POST CLAMP TO POST AND PANEL

5a. Locate the clamp and attach to the post and panel. Total of two (2) locations.

*Note: Activity panel frame shown for reference.*





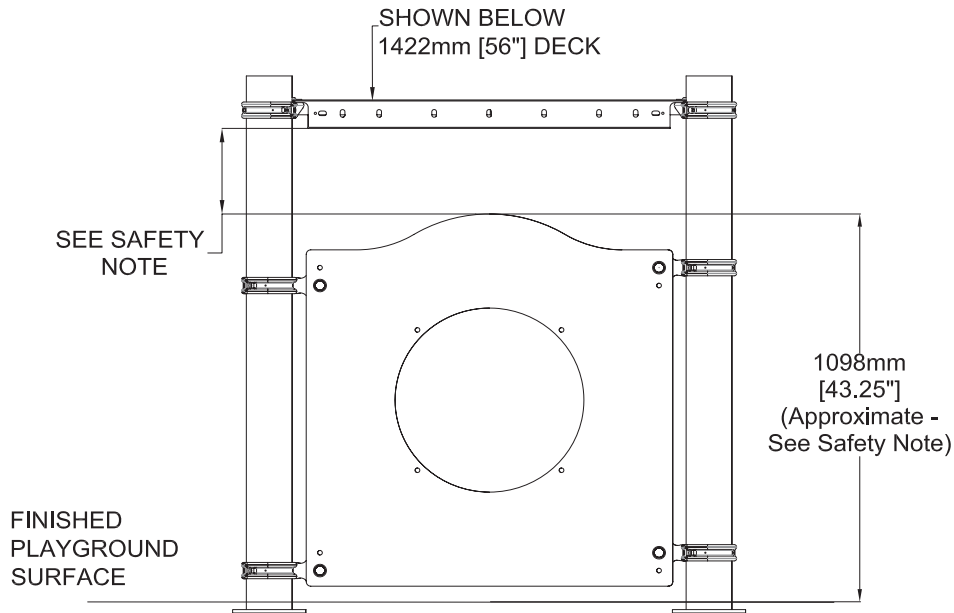
# KB ACTIVITY PANEL FRAME DKMT, PTMT

## B. INSTALLATION FOR ALL BELOW DECK (PTMT) MODELS: 56" AND 64" DECKS

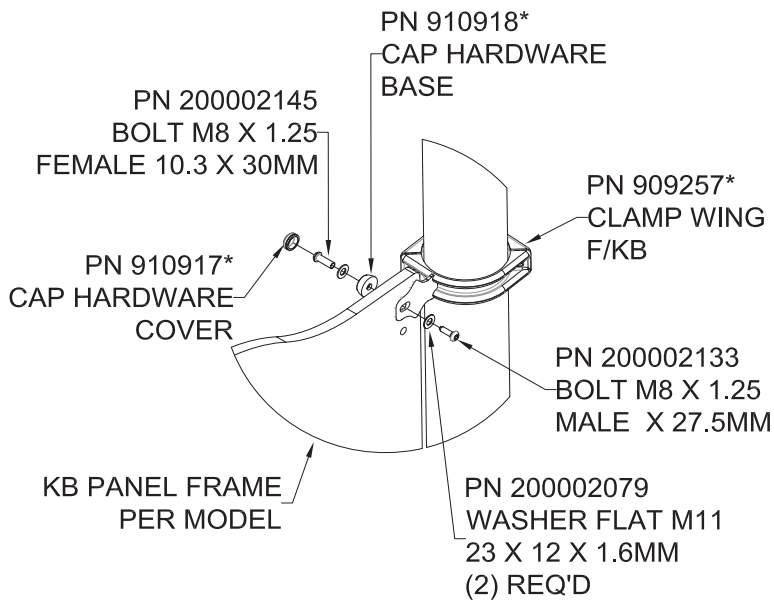
### STEP 6 LOOSELY ATTACH POST CLAMP TO POST AND PANEL

6a. Mark the posts for clamp locations per safety note.

*Safety Note: Vertical clearance space between panel assembly and lowest point of deck must be either (A) between 1" and 3", or (B) a minimum of 9.5". Activity panel frame shown for reference.*



6b. Locate the clamps and attach to the posts and panel. Total of four (4) locations.



KB ACTIVITY PANEL FRAME DKMT, PTMT

KB600049



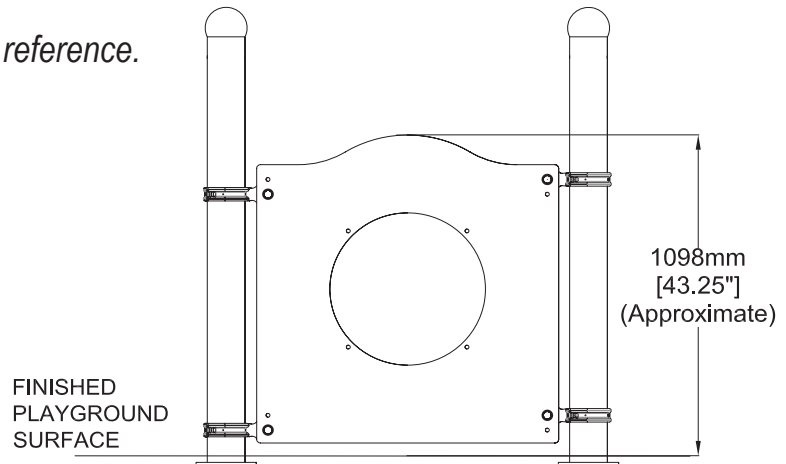
# KB ACTIVITY PANEL FRAME DKMT, PTMT

## C. FREESTANDING INSTALLATION FOR ALL MODELS

### STEP 7 LOOSELY ATTACH POST CLAMP TO POST AND PANEL

7a. Refer to step 6b for clamp attachment to posts and panel. Total of four (4) locations.

*Note: Activity panel frame shown for reference.*



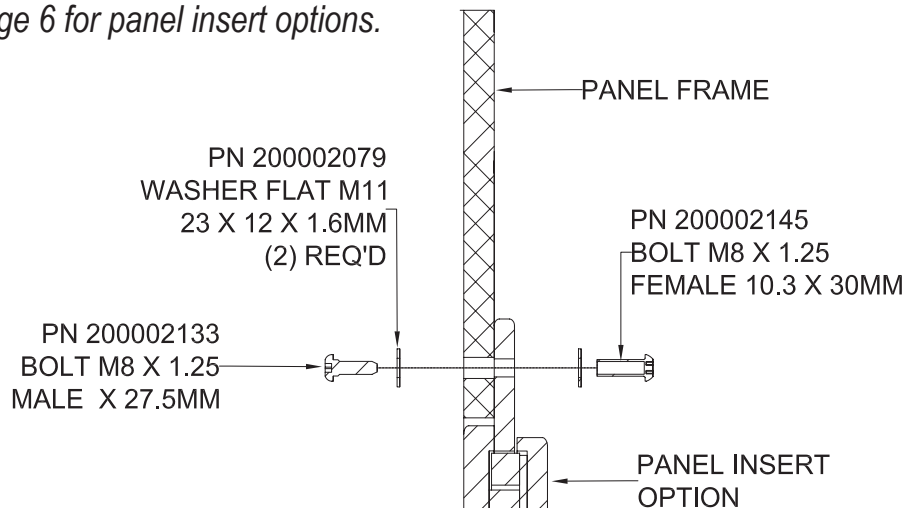
## D. INSTALLATION FOR ALL INSERT PANELS TO PANEL FRAME MODELS

### STEP 8 LOOSELY ATTACH ACTIVITY INSERT PANEL TO PANEL FRAME

8a. For 200203470 DKMT: the insert panel faces towards the deck; attach to the panel frame. Total of four (4) locations.

8b. For 200203471 PTMT: the insert panel faces away from the deck; attach to the panel frame. Total of four (4) locations.

*Note: Reference page 6 for panel insert options.*



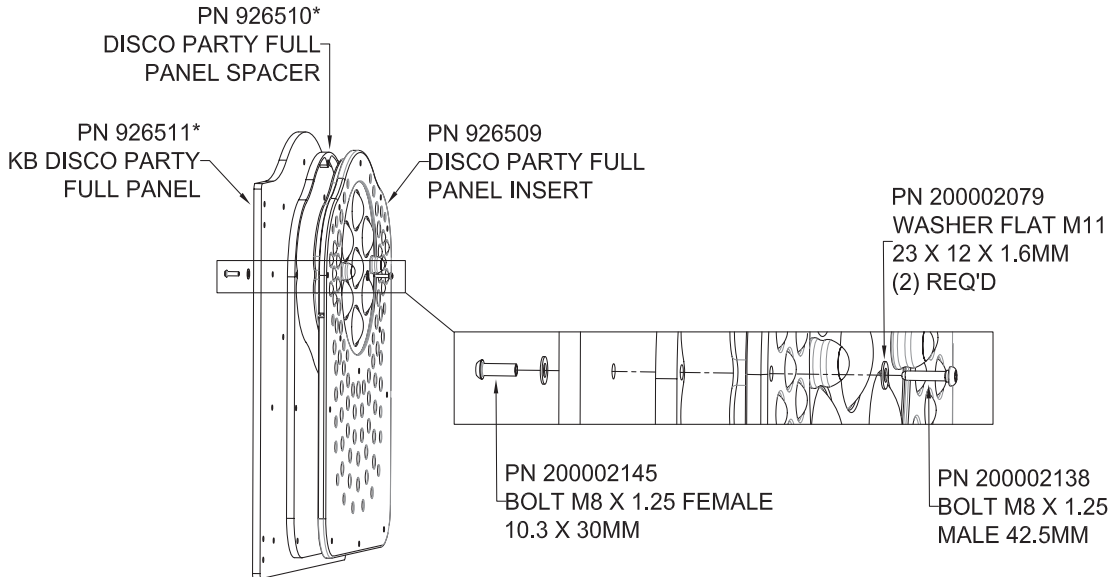


# KB ACTIVITY PANEL FRAME DKMT, PTMT

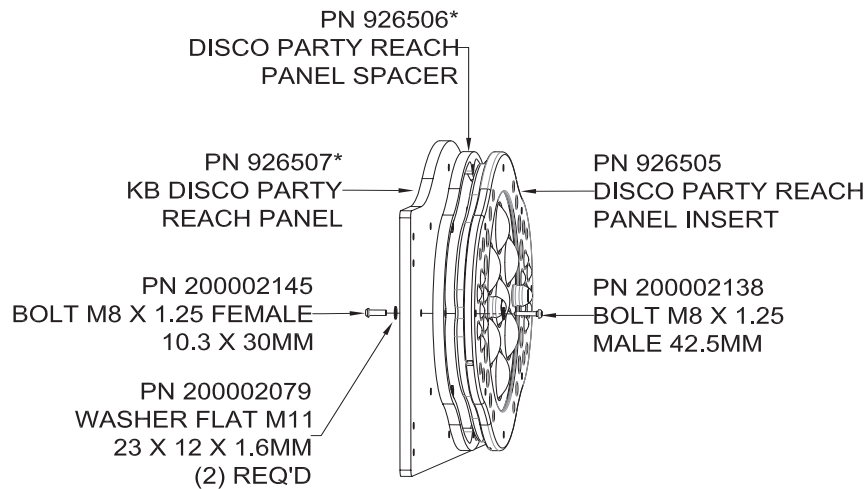
D. INSTALLATION FOR **ALL INSERT PANELS TO PANEL FRAME MODELS** cont.

## STEP 9 ATTACH DISCO PARTY PANELS TO PANEL FRAMES

9a. For 200203621, 200203622: Align the frame, panel spacer and panel; attach in thirteen (13) locations.



9b. For 200203623: Align the frame, panel spacer and panel; attach in eight (8) locations.



KB ACTIVITY PANEL FRAME DKMT, PTMT

KB600049

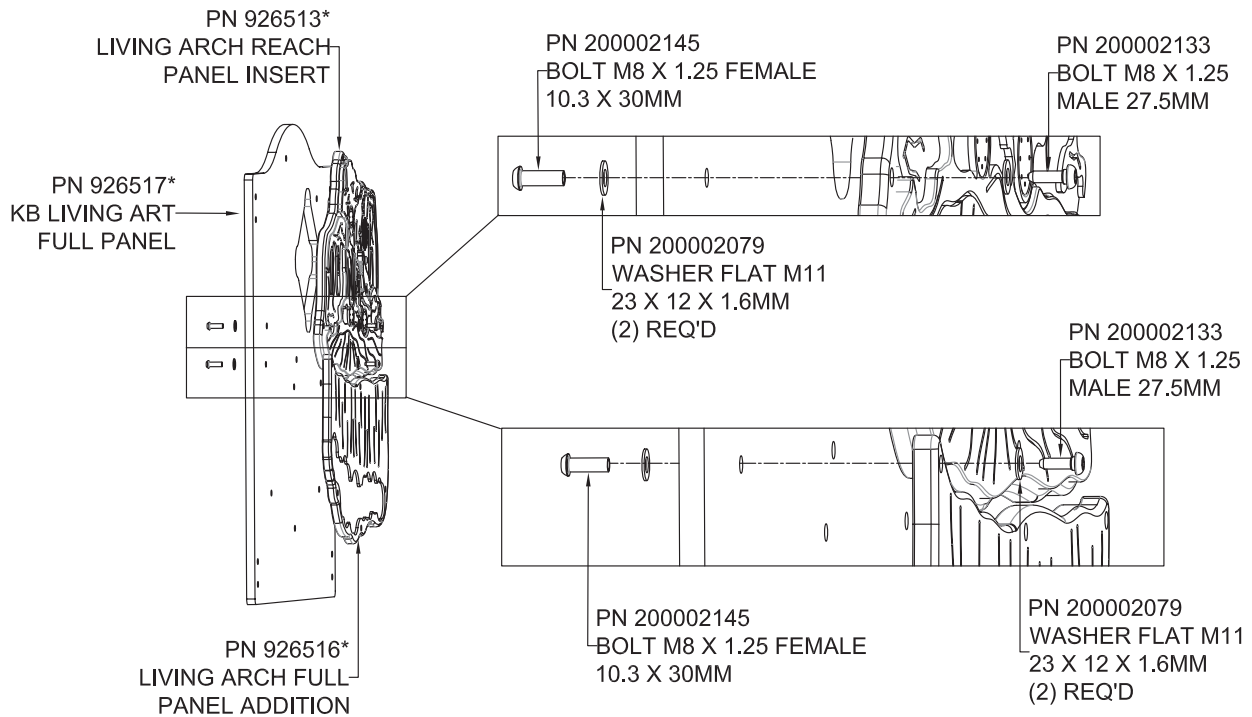


# KB ACTIVITY PANEL FRAME DKMT, PTMT

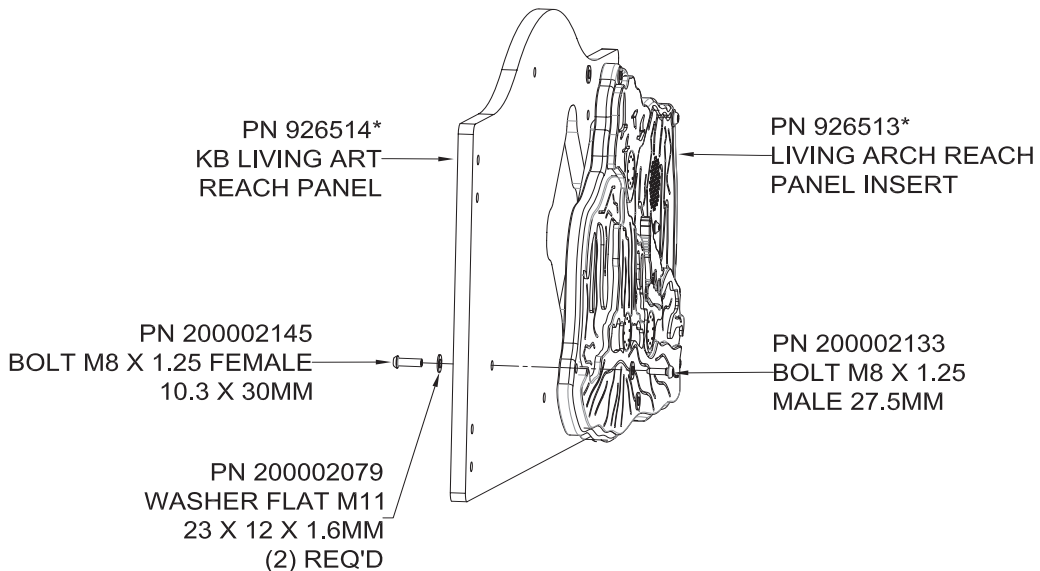
## D. INSTALLATION FOR *ALL* INSERT PANELS TO PANEL FRAME MODELS cont.

### STEP 10 ATTACH LIVING ART PANELS TO PANEL FRAMES

10a. For 200203624, 200203625: Align the frame, panel insert and panel addition; attach in five (5) locations for panel insert and six (6) locations for panel addition.



10b. For 200203626: Align the frame and panel insert; attach in five (5) locations.



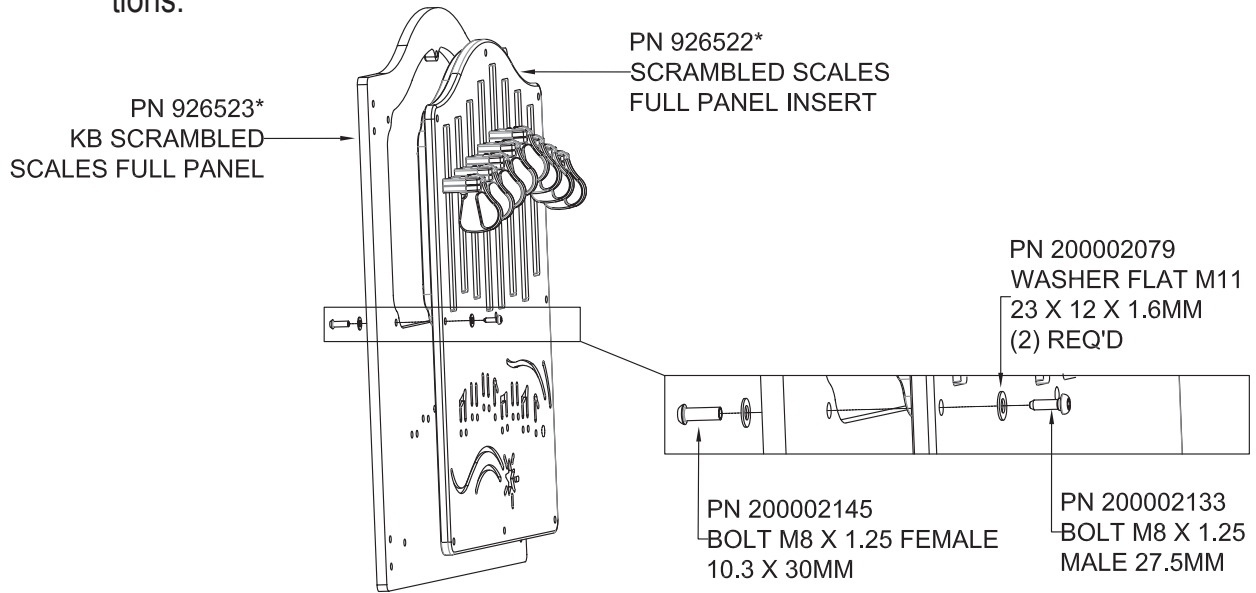


# KB ACTIVITY PANEL FRAME DKMT, PTMT

## D. INSTALLATION FOR ALL INSERT PANELS TO PANEL FRAME MODELS cont.

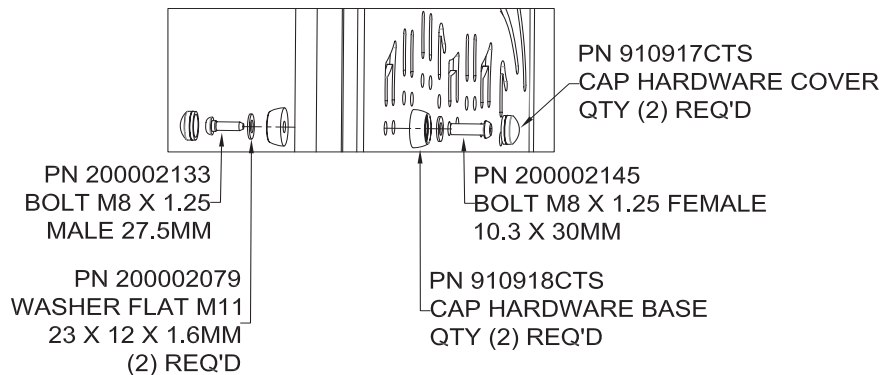
### STEP 11 ATTACH SCRAMBLED SCALE PANELS TO PANEL FRAMES

11a. For 200203627, 200203628: Align the frame and panel insert; attach in nine (9) locations.



11b. Locate the colored cap covers and bases; attach the covers and bases to the panel and panel insert, starting left to right, in this order for each note:

- |                                |                                 |
|--------------------------------|---------------------------------|
| 1. 910917CTS/910918CTS, QTY. 4 | 2. 910917TPLM/910918PLM, QTY. 4 |
| 3. 910917LGY/910918LGY, QTY. 4 | 4. 910917AZR/910918AZR, QTY. 2  |
| 5. 910917RED/910918RED, QTY. 4 | 6. 910917YLW/910918YLW, QTY. 4  |
| 7. 910917ORN/910918ORN, QTY. 4 | 8. 910917FRG/910918FRG, QTY. 2  |



KB ACTIVITY PANEL FRAME DKMT, PTMT

KB600049

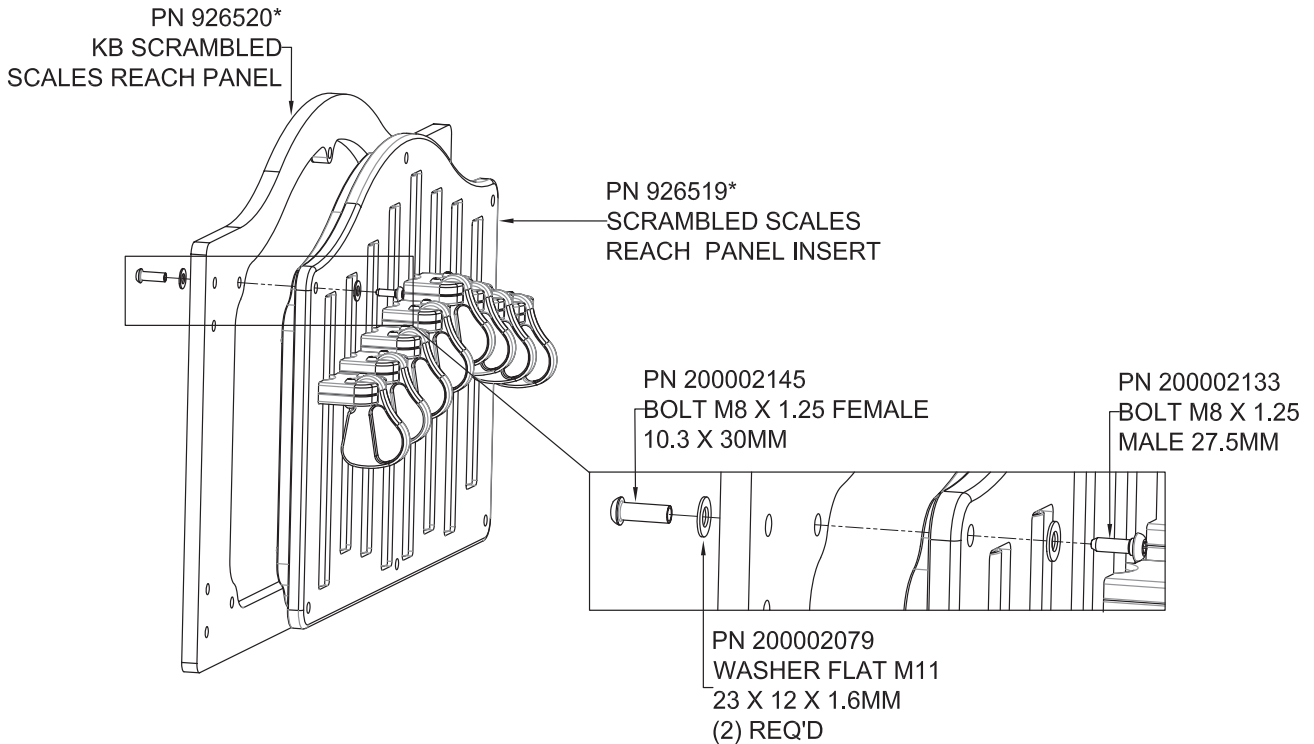


# KB ACTIVITY PANEL FRAME DKMT, PTMT

D. INSTALLATION FOR **ALL** INSERT PANELS TO PANEL FRAME MODELS cont.

## **STEP 11** ATTACH SCRAMBLED SCALE PANELS TO PANEL FRAMES cont.

11c. For 200203629: Align the frame and panel insert; attach in six (6) locations.



## **STEP 12** ALIGN/LEVEL ALL PANEL/FRAMES AND TIGHTEN ALL HARDWARE

12a. For steps 3 - 11: Align and level all panels/frames and tighten all hardware; install hammer pins in all post clamps; secure all hardware cover caps.

THIS SPACE INTENTIONALLY LEFT BLANK



## KB ACTIVITY PANEL FRAME DKMT, PTMT

### E. INSTALLATION FOR *FULLY ASSEMBLED* PANELS TO PANEL FRAME MODELS

#### **STEP 13** ATTACH FULLY ASSEMBLED PANELS FRAMES: DKMT

13a. For 200203630, 200203633: Refer to steps 1 - 5.

#### **STEP 14** ATTACH FULLY ASSEMBLED PANELS FRAMES: PTMT

14a. For 200203631, 200203632, 200203634, 200203635: Refer to steps 6b - 7.

#### **STEP 15** ALIGN/LEVEL ALL ASSEMBLED PANELS; TIGHTEN ALL HARDWARE

15a. For steps 13 - 14: Align and level all assembled panels and tighten all hardware; install hammer pins in all post clamps; secure all hardware cover caps.

#### **FINAL STEP**

Proceed with *Final Assembly* installation. Plumb and level entire assemblies.

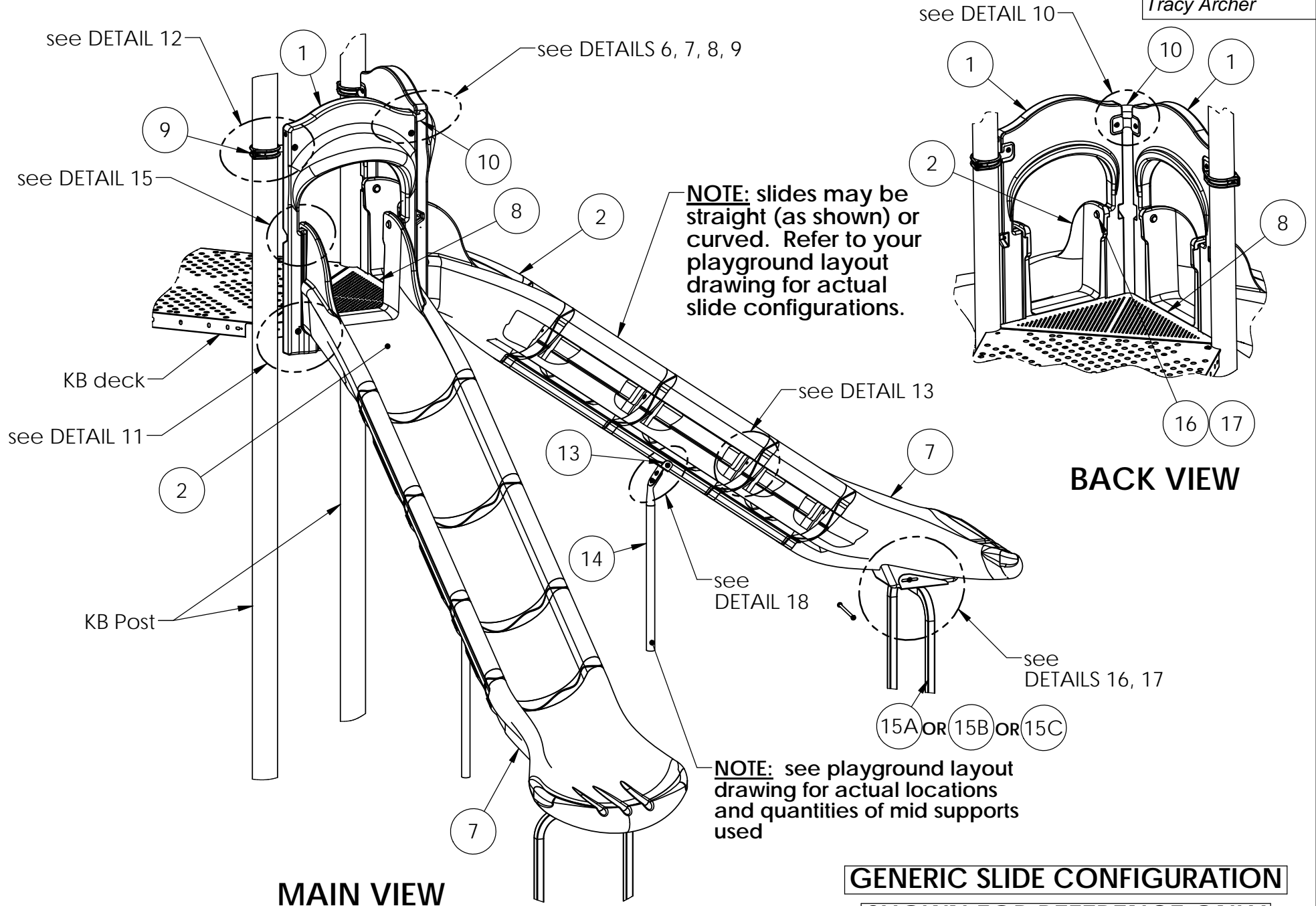


# INST F/KB DUAL ENTRY QUANTUM II SLIDES

KB700078C

SHEET 1 OF 11

AUTHORIZED BY: 13JUL18  
**Tracy Archer**



**GENERIC SLIDE CONFIGURATION**  
**SHOWN FOR REFERENCE ONLY**

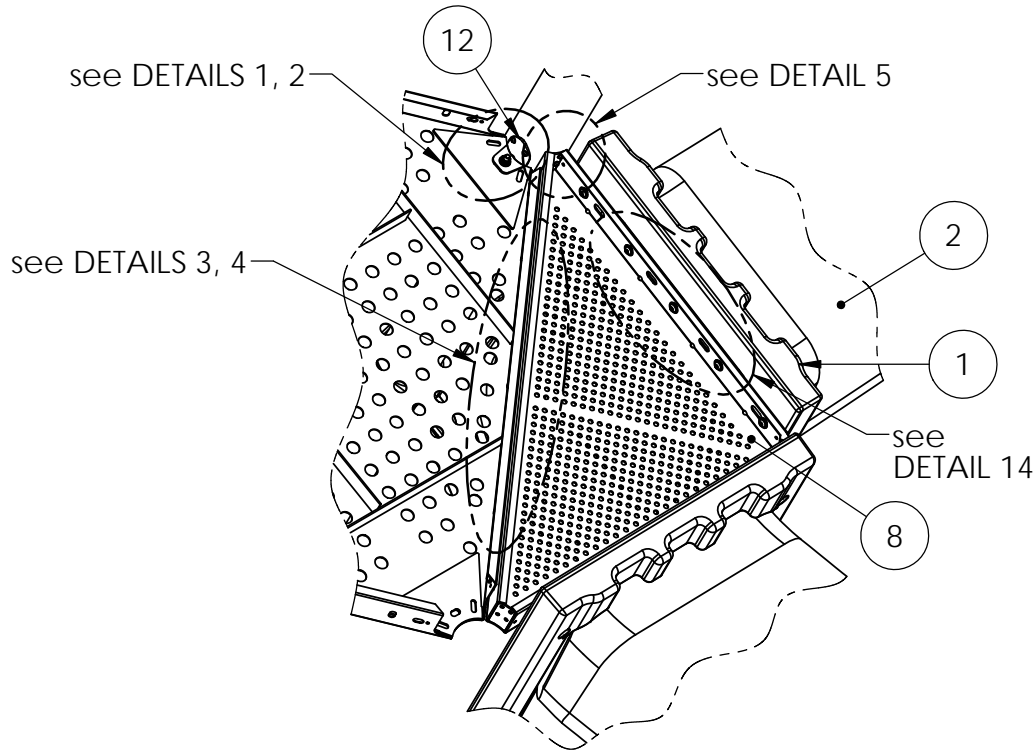
# INST F/KB DUAL ENTRY QUANTUM II SLIDES

KB700078C

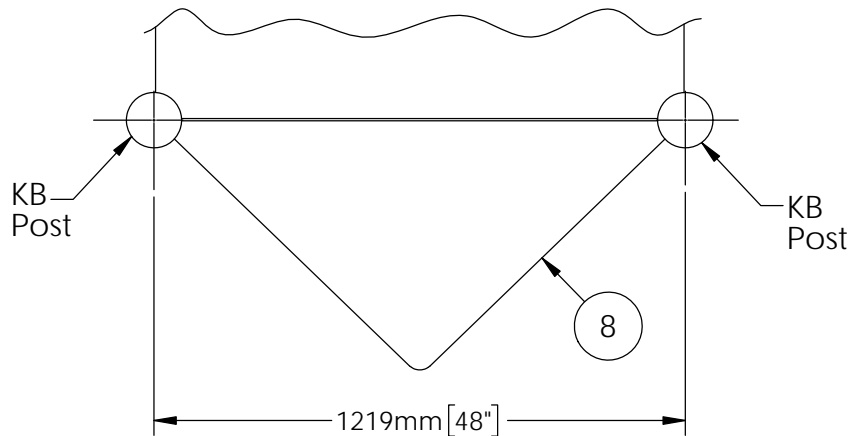
SHEET 2 OF 11

AUTHORIZED BY: 13JUL18

Tracy Archer



**BOTTOM VIEW of DECK**



**POST FOOTING DIMENSIONS**

## KB DUAL ENTRY QUANTUM II SLIDES PARTS LIST

Item	Code	Description	Qty
1	997304P	LT NARROW HOOD F/2013 SECTIONAL SLIDE	2
2	997305P	LT START F/2013 SECTIONAL SLIDE	2
3	997303P	12" DROP F/2013 SECTIONAL SLIDE	*
4	997302P	16" DROP F/2013 SECTIONAL SLIDE	*
5	997306P	LOW BANK LEFT F/2013 SECTIONAL SLIDE	*
6	997307P	LOW BANK RIGHT F/2013 SECTIONAL SLIDE	*
7	997310P	RUNOUT F/2013 SECTIONAL SLIDE	2
8	998171P	DOUBLE HD DECK ASSY F/KB	1
9	909345P	ASSY CLAMP HI-LOW TAB F/KB	2
10	999191P	DUAL ENTRY TOP RAIL WELDMNT F/KB	1
11	906406P	DOUBLE ENTRY HOOD PLATE F/KB	1
12	998769P	NARROW HOOD DK POST BRKT F/KB	2
13	997357P	MID SUPP BRKT F/2013 SECT SLIDE	*
14	-	HB SPIRAL SUPPORT WLDMT (MID SUPPORT)	*
15A	997352P	RUNOUT SUPP F/2013 SECT SLIDE (SM 40MM)	2
15B	997353P	RUNOUT SUPP F/2013 SECT SLIDE (SM 305MM)	2
15C	997354P	RUNOUT SUPP F/2013 SECT SLIDE (ING)	2
16	910917P	CAP HARDWARE COVER	4
17	910918P	CAP HARDWARE BASE	4

\* SEE PLAYGROUND LAYOUT DRAWING FOR SLIDE SECTIONS AND QUANTITIES USED

## HARDWARE LIST

18	200002018	SCREW MACH BUTTONHEAD M10 X 1.50 X 25MM	**
19	200002150	SCREW MACH BUTTONHEAD M10 X 1.50 X 55MM	6
20	200097726	SCREW MACH BUTTONHEAD M10 X 1.50 X 38MM	2
21	200308938	BOLT M8 X 1.25 MALE 90MM	**
22	200002145	BOLT M8 X 1.25 FEMALE 10.3 X 30MM	**
23	200002133	BOLT M8 X 1.25 MALE 27.5MM	4
24	200002142	BOLT M8 X 1.25 MALE 57.5MM	**
25	300002750	SCREW T-27 TORX ROUND WASHER HD	12
26	200153311	ROD INT THREADED 1/2" S.S. 240MM-PARTS R	2
27	200001945	NUT LOCK HEX NYLON INSERTED M10 X 1.5	**
28	117007	DNO WASHER FLAT M11 32OD X 13ID X 2MM	2
29	200002079	WASHER FLAT M11 23 X 12 X 1.6MM	**

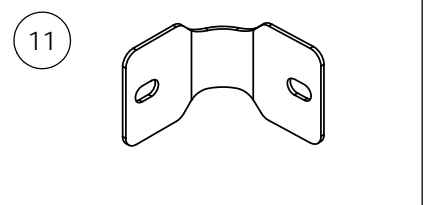
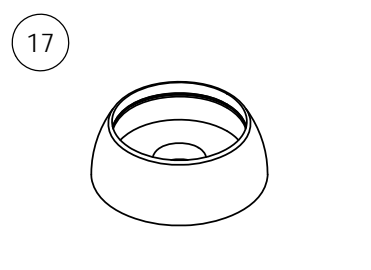
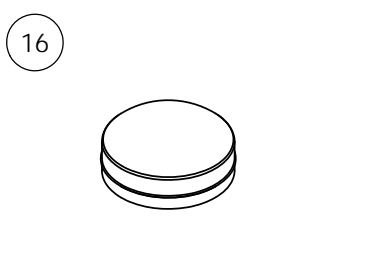
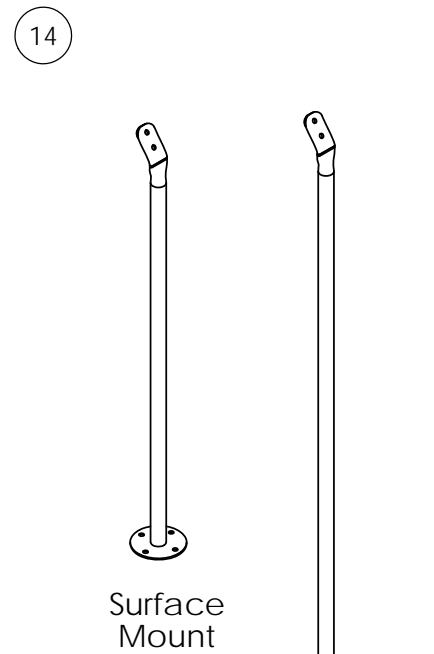
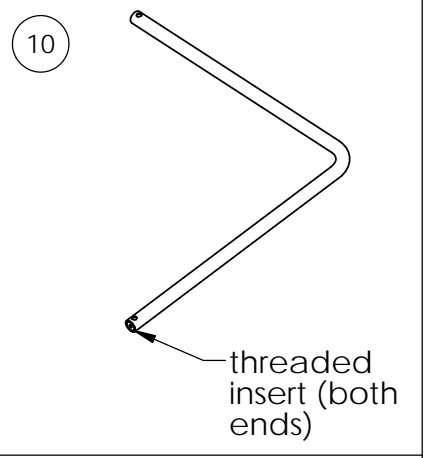
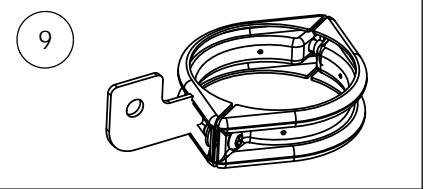
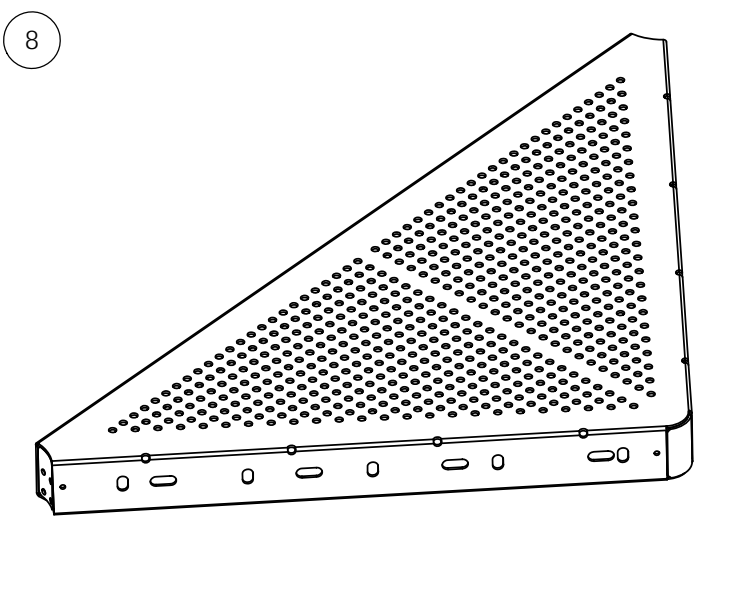
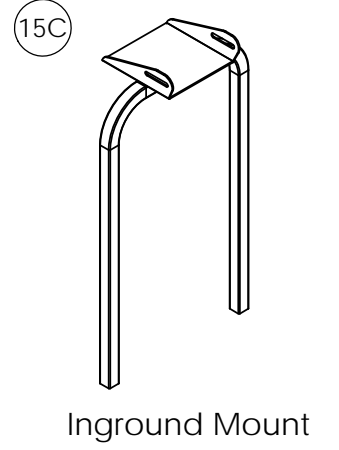
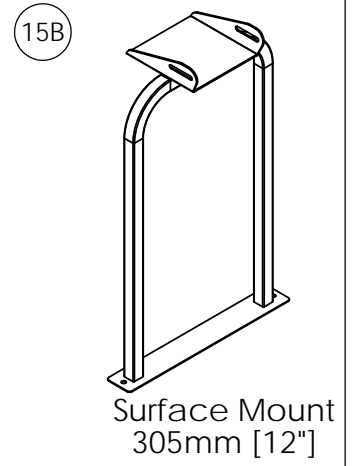
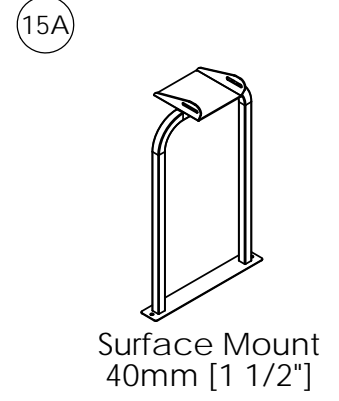
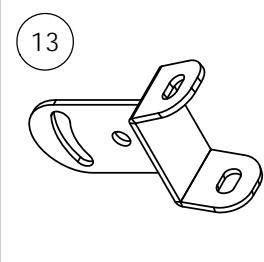
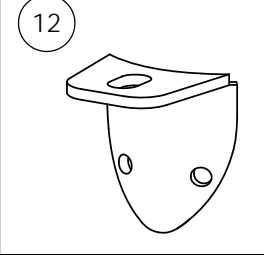
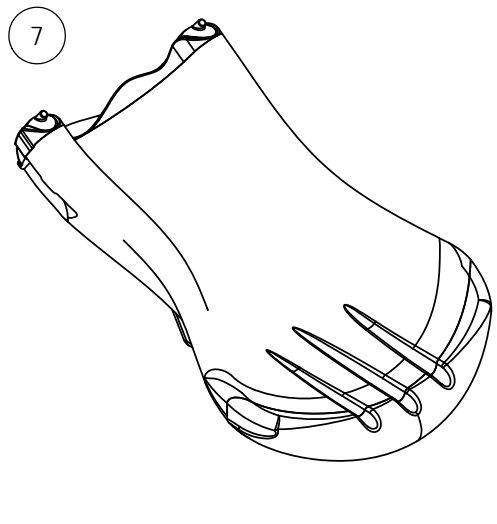
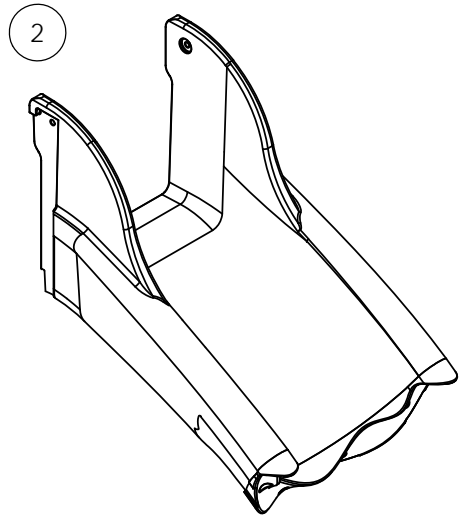
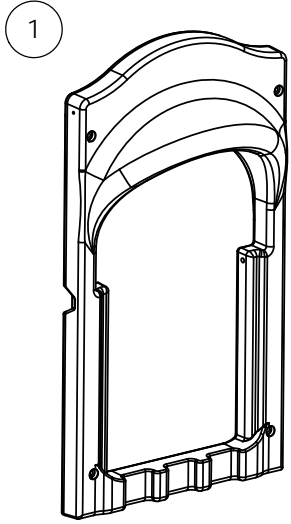
\*\* QUANTITIES OF THESE ITEMS WILL VARY ACCORDING TO NUMBER OF SLIDE SECTIONS AND MID SUPPORTS USED.

# INST F/KB DUAL ENTRY QUANTUM II SLIDES

KB700078C

SHEET 3 OF 11

AUTHORIZED BY:  
*Tracy Archer* 13JUL18



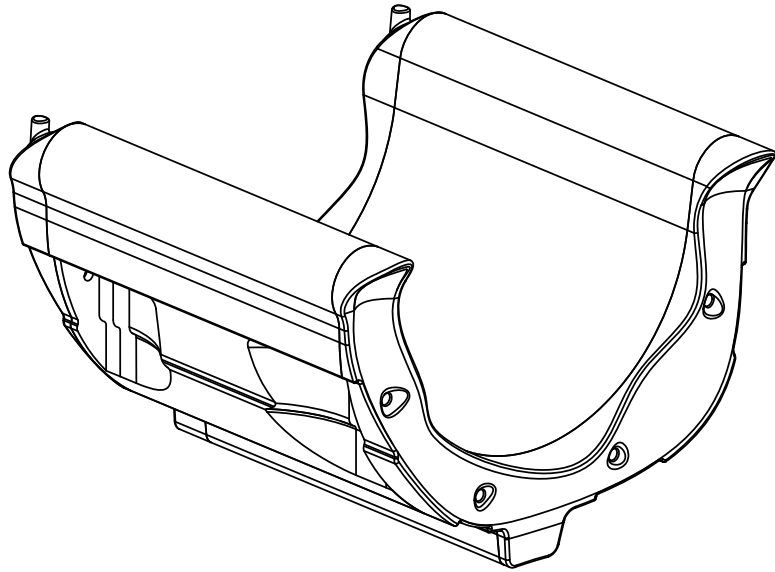
INST F/KB DUAL ENTRY QUANTUM II SLIDES

KB700078C

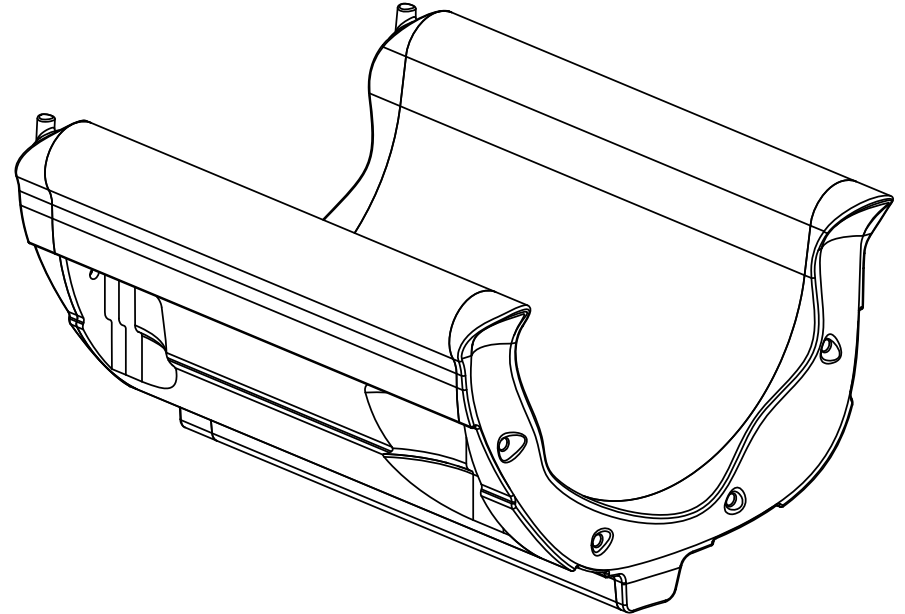
SHEET 4 OF 11

AUTHORIZED BY: 13JUL18  
*Tracy Archer*

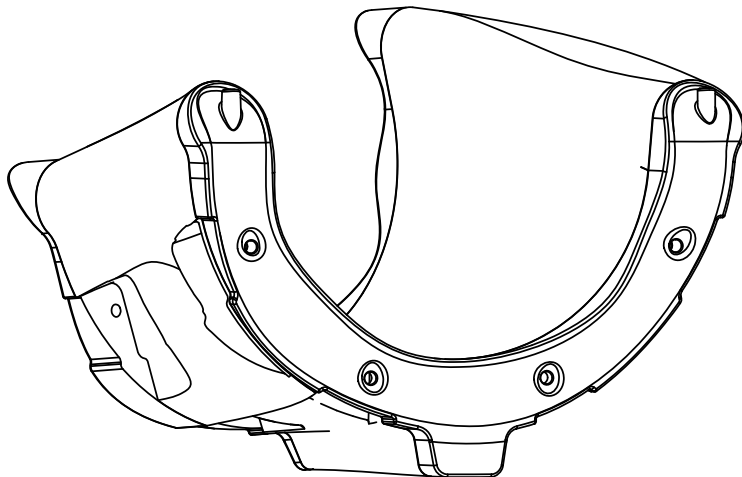
3 STRAIGHT 12"



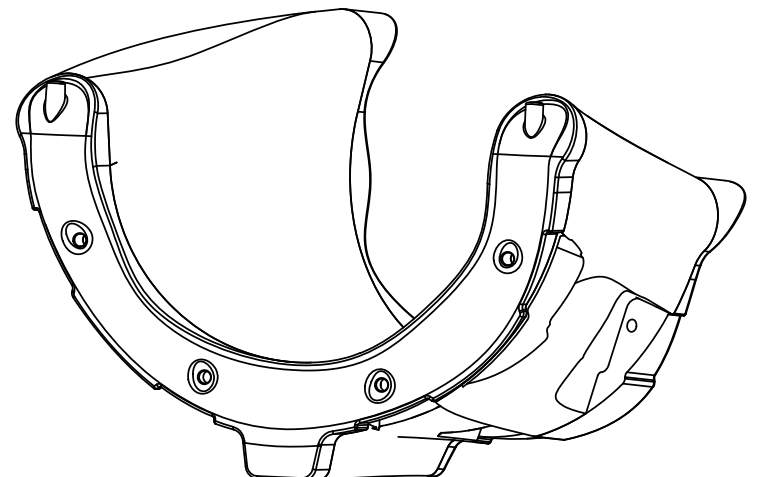
4 STRAIGHT 16"



5 BANK LOW LEFT



6 BANK LOW RIGHT



**BEFORE STARTING INSTALLATION OF YOUR LITTLE TIKES COMMERCIAL PRODUCT,  
"PLEASE READ INSTRUCTIONS THOROUGHLY"**

This playevent is designed to suit a level site. Should there be any slopes on the site, care should be taken to accommodate the entry and exit points and to maintain the correct heights.

The site must be checked for adverse or unusual conditions. i.e.

- 1) Exposed, cracked or loose concrete footings.
- 2) Worn, scattered or compressed surface material.
- 3) Exposed roots, rocks or other environmental obstacles that form potential trip hazards.
- 4) Broken glass, refuse, or foreign objects around and on play equipment.
- 5) Poor drainage areas.
- 6) All sites especially those close to existing buildings must be checked for electrical or gas lines and drainage before digging.

As the owner, it is most important that you are aware of your responsibility for the safe use of your new play equipment. It is necessary to install equipment correctly according to the installation instructions provided and inspect the equipment regularly at intervals specified within the "Maintenance Manual," located in your maintenance kit. During inspection, if any part is found to be damaged or excessively worn, equipment should immediately be put out of service while the part is replaced. Lack of "maintenance" will result in premature wear, reduced life expectancy and possible failure.

All Little Tikes Commercial Play Systems playevents have been designed and engineered to meet all applicable safety guidelines, but if installed improperly, problems may occur such as: protruding hardware, entrapment gaps between 89mm [3.5"] to 229mm [9"], or string entanglements. Any accessible bolt ends that protrude beyond the face of the nut by more than two threads should be trimmed and peened smooth by the installer. Once your installation is complete, always inspect your work. Installation must be done to the manufacturer's assembly manual and applicable safety guidelines and/or standards.

The area immediately surrounding and above the play structure must be free of obstructions such as: buildings, trees, other play equipment, etc., and must be kept clear for entries, exits, traffic and falls. Make sure your site has the required surfacing and fall area designated on your Playground Layout Drawings.

**ALL CHILDREN SHOULD BE SUPERVISED WHILE PLAYING ON EQUIPMENT.**

## Installation Instructions

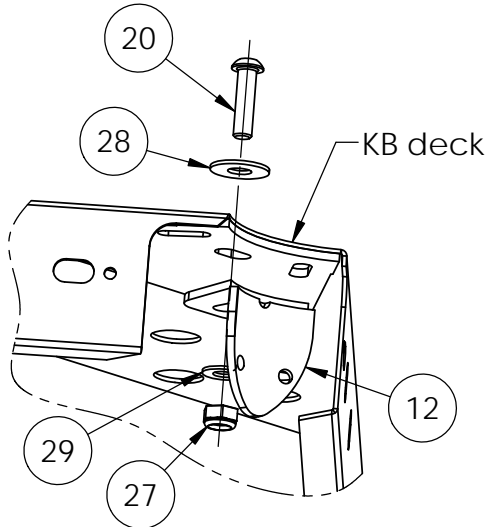
1. Loosely attach the Post brackets (item 12) to the corners of the KB deck as shown in DETAIL 1. Make sure top of KB deck is level. Attach the Post brackets to the posts as shown in DETAIL 2. **NOTE:** Post brackets replace the use of Deck clamps in this application.
2. Attach Double HD deck (item 8) to the front of the KB deck as shown in DETAILS 3 and 4. Make sure top of Double HD deck is level with KB deck before tightening hardware. Attach Double HD deck corners to posts as shown in DETAIL 5.
3. Locate the molded-in drill points on the top sides of the Narrow Hoods (item 1) and drill holes as shown in DETAILS 6, 7, 8 and 9. These holes are needed to install the Dual Entry Top Rail (item 10) inside the hoods. Insert the top rail through the large drilled holes and fasten with hardware through the small drilled holes as shown in DETAIL 6.
4. Loosely attach the hood plate (item 11) to the hoods as shown in DETAIL 10.
5. Loosely attach HI-LO clamps to posts, refer to front of manual for installation details.
6. Lift hood assembly to Narrow Deck and attach hoods to front side of Narrow Deck in four places as shown in DETAIL 11. Attach top of hoods to HI-LO clamps as shown in DETAIL 12.
7. Assemble the slide sections and runout on the ground, beginning with the Runout Section (item 7). Refer to your playground layout drawing for the type of slide sections used and the order in which they need to go together. The sections will actually "snap" together. A rubber mallet is recommended to apply a blunt force to make the "snap" connection. Install hardware as shown in DETAIL 13.
8. Lift assembled slide and attach Start slide section (item 2) to the front side of the Narrow deck as shown in DETAIL 14. Attach top of Start slide section to Hood as shown in DETAIL 15.
9. Position the Runout support (item 15A,B or C) under the runout section. **NOTE:** the Runout support is designed to allow for shrinkage during cool weather and expansion during warm weather. Consider the ambient air temperature when installing this slide. See DETAIL 16 for where to install hardware. Install hardware as shown in DETAIL 17.
10. See your playground layout drawing to determine which slide sections the Mid supports will be attached to. Position the Mid support bracket (item 13) on the bottom center of the slide section and, using the Mid support bracket as a template, drill a  $\varnothing$  13mm [1/2"] hole through both walls of the plastic slide section and install the bracket hardware as shown in DETAIL 18.
11. Install the Mid supports to the brackets as shown in DETAIL 18.
12. Tighten all hardware and install post clamp drive pins. Complete the footings, and install resilient surfacing.

# INST F/KB DUAL ENTRY QUANTUM II SLIDES

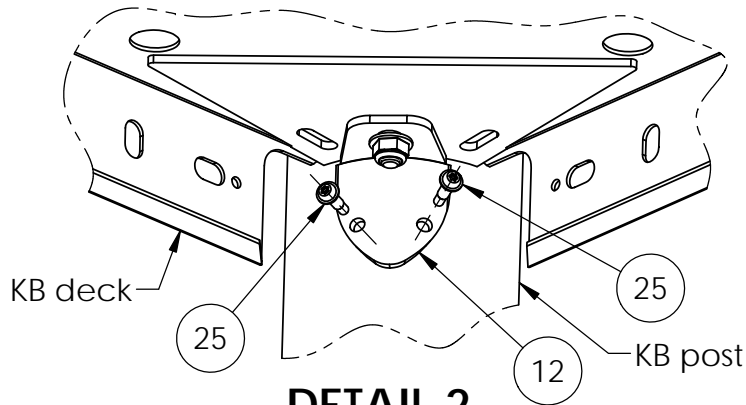
KB700078C

SHEET 7 OF 11

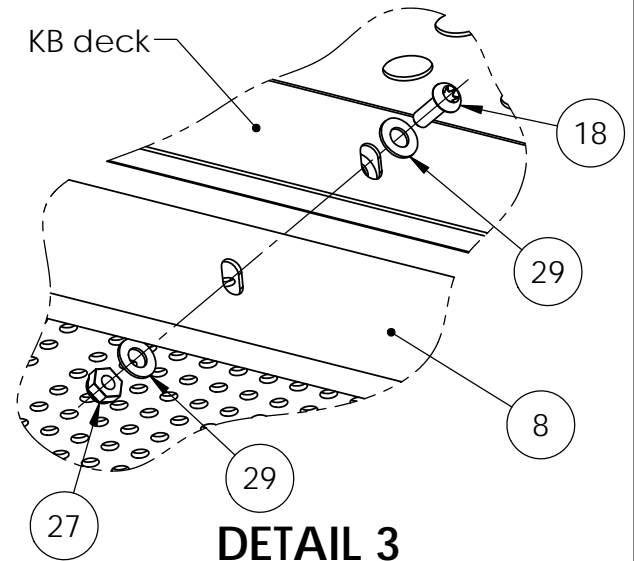
AUTHORIZED BY: 13JUL18  
*Tracy Archer*



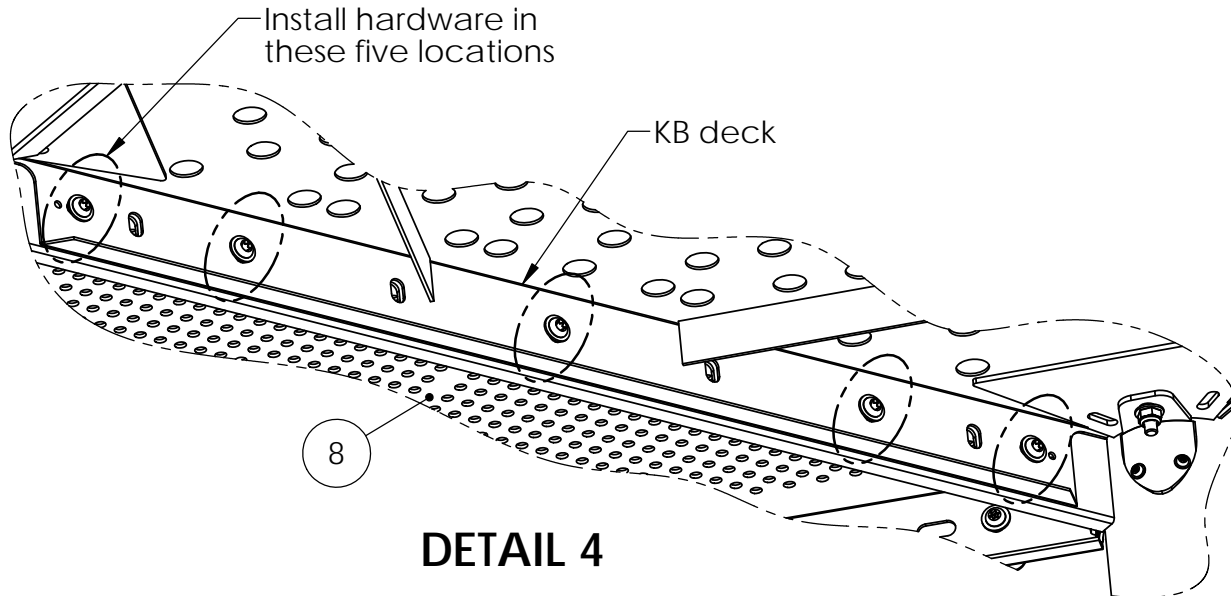
**DETAIL 1**  
Typ 2 Places



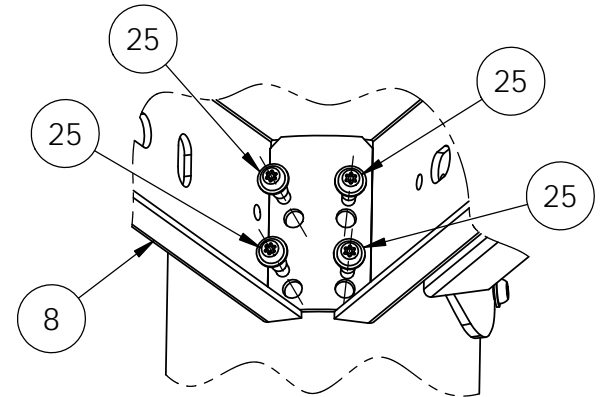
**DETAIL 2**  
Typ 2 Places



**DETAIL 3**  
Typ 5 Places



**DETAIL 4**



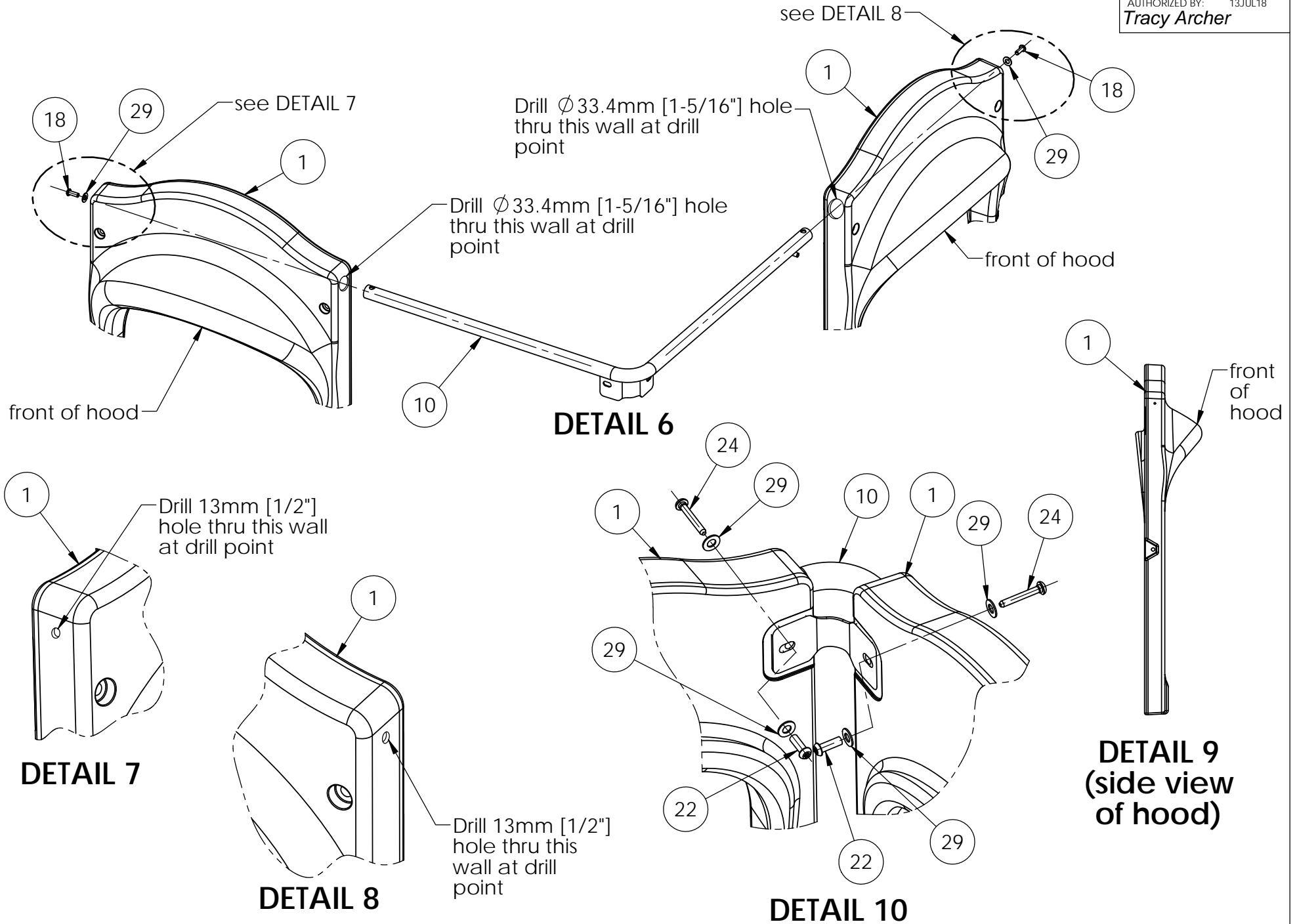
**DETAIL 5**  
Typ 2 Places

# INST F/KB DUAL ENTRY QUANTUM II SLIDES

KB700078C

SHEET 8 OF 11

AUTHORIZED BY: 13JUL18  
Tracy Archer



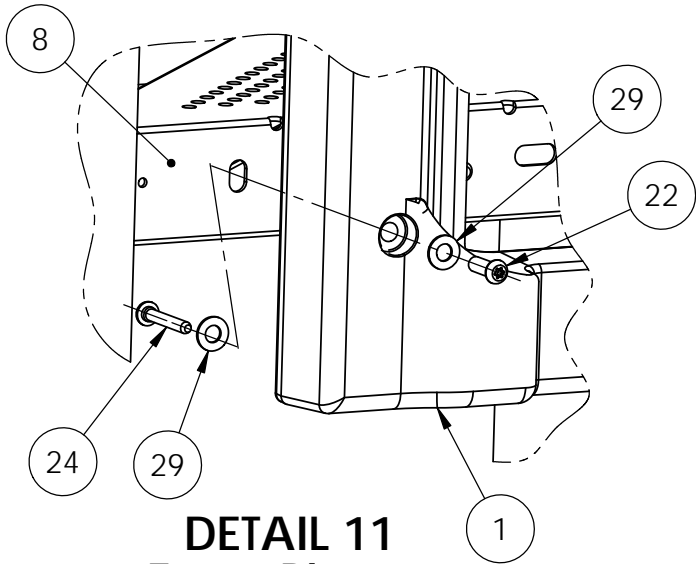


# INST F/KB DUAL ENTRY QUANTUM II SLIDES

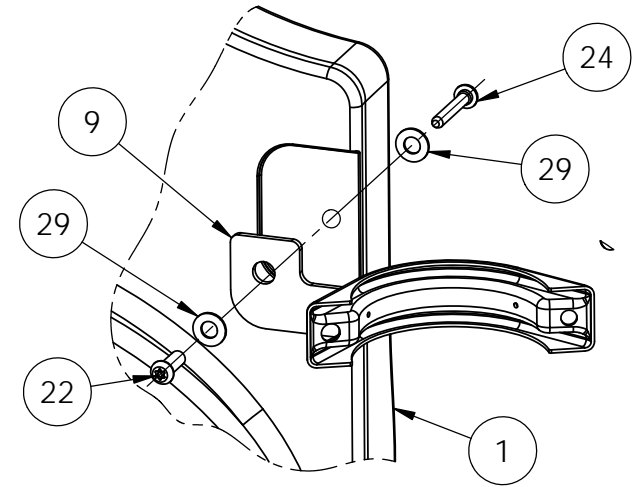
KB700078C

SHEET 9 OF 11

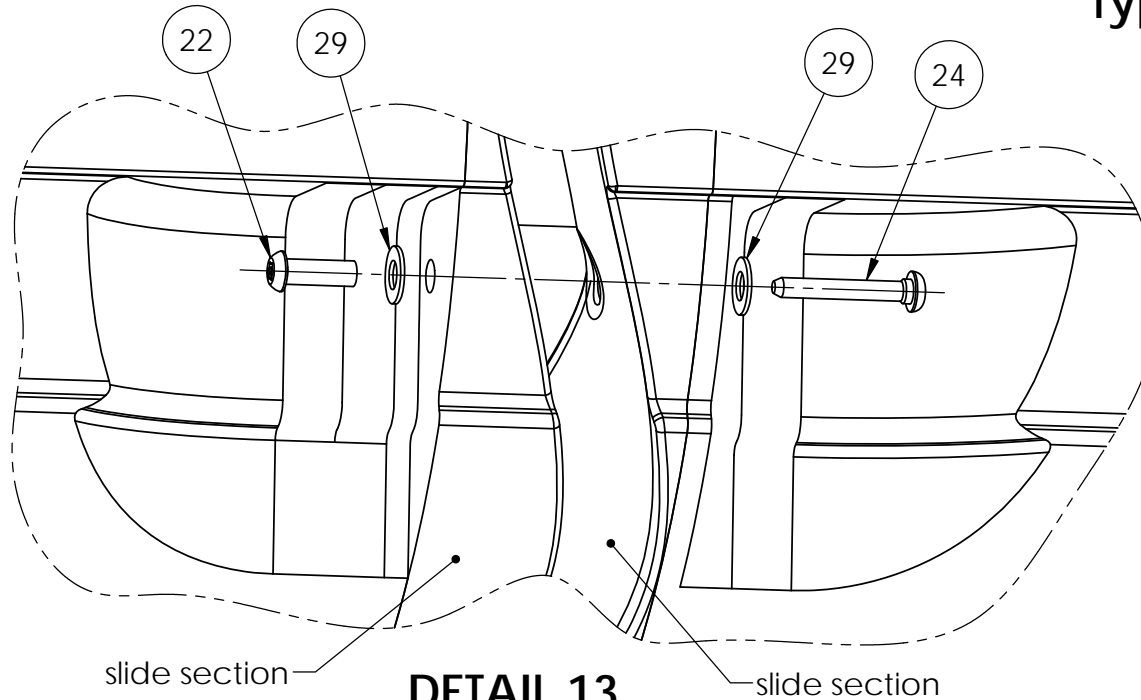
AUTHORIZED BY:  
*Tracy Archer* 13JUL18



**DETAIL 11**  
Typ 4 Places



**DETAIL 12**  
Typ 2 Places



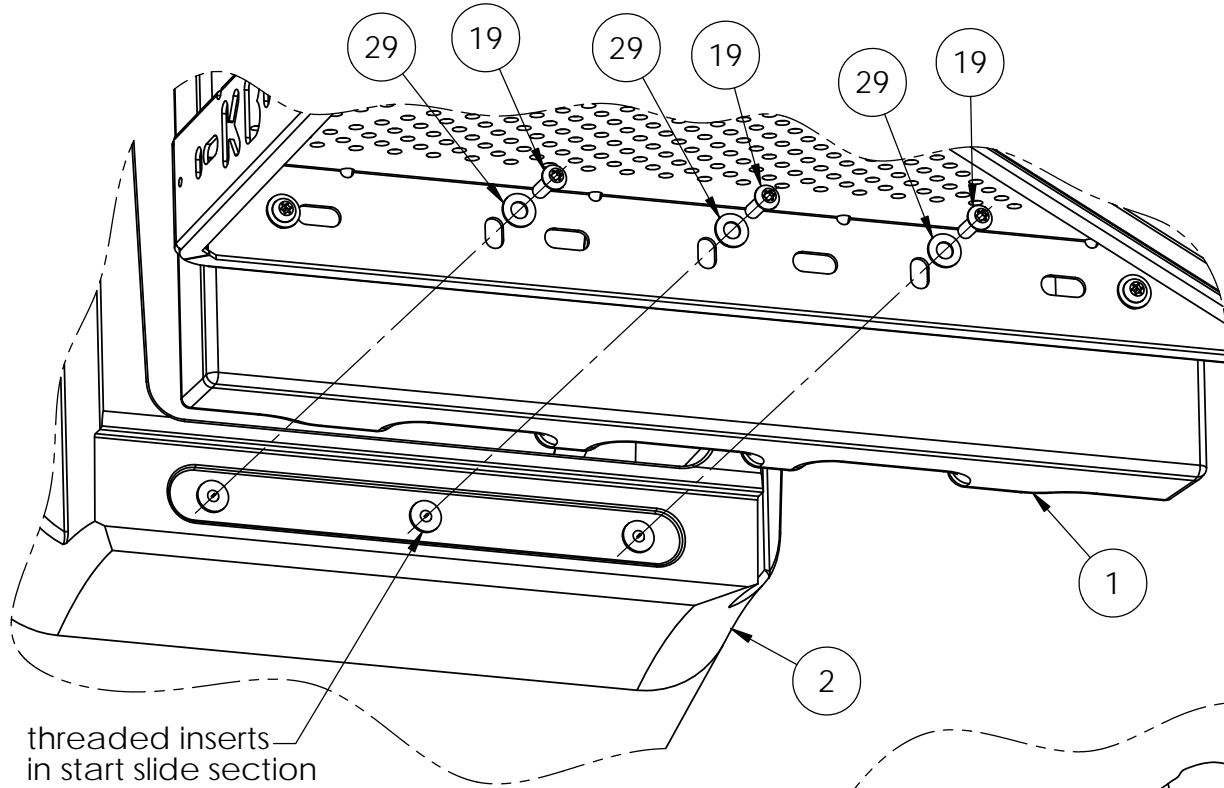
**DETAIL 13**  
Typ 4 Places per slide section connection

# INST F/KB DUAL ENTRY QUANTUM II SLIDES

KB700078C

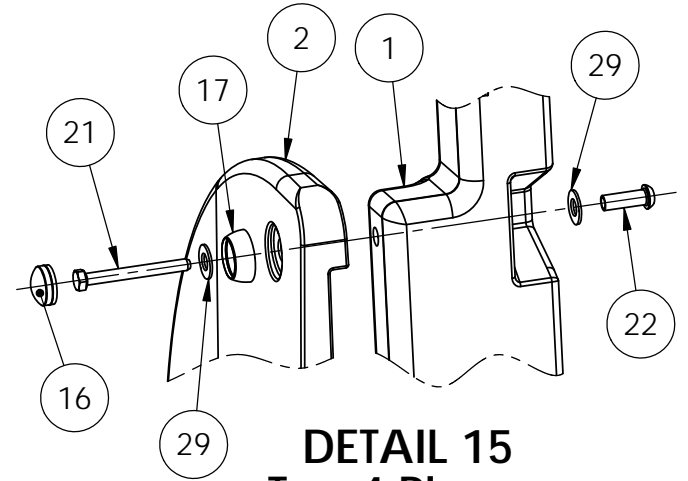
SHEET 10 OF 11

AUTHORIZED BY: Tracy Archer 13JUL18

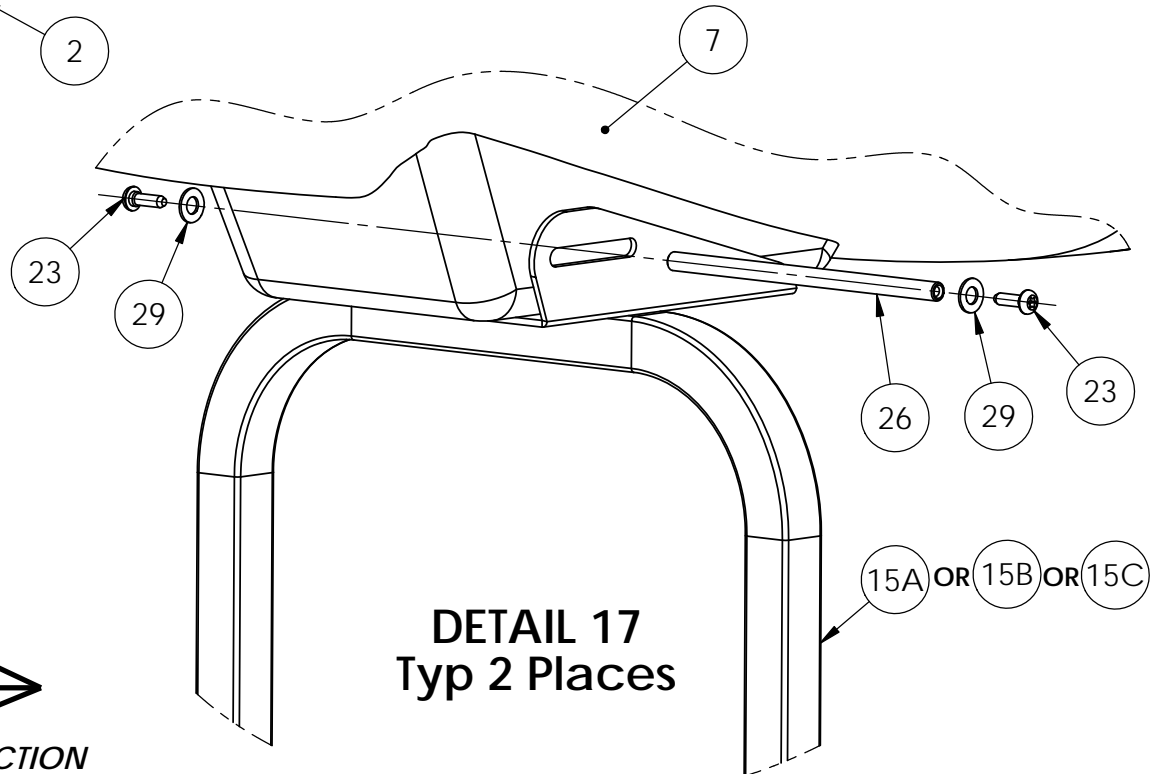


threaded inserts  
in start slide section  
(item 2)

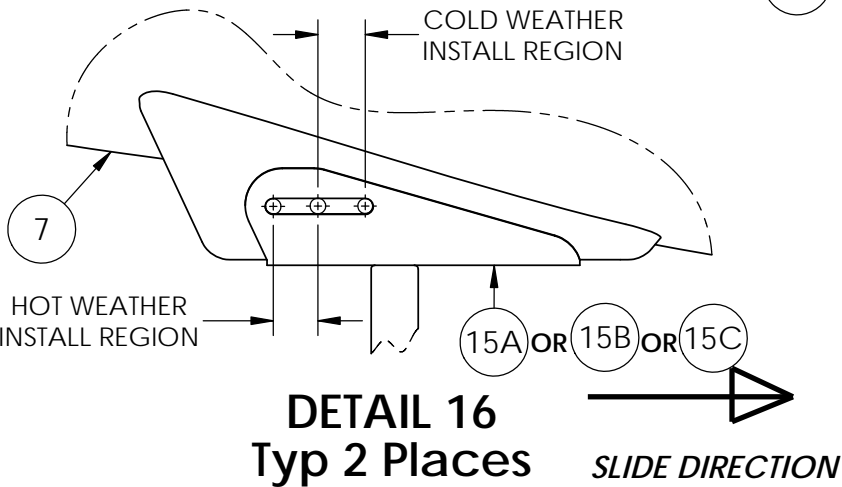
**DETAIL 14**  
Typ 2 Places



**DETAIL 15**  
Typ 4 Places



**DETAIL 17**  
Typ 2 Places



**DETAIL 16**  
Typ 2 Places

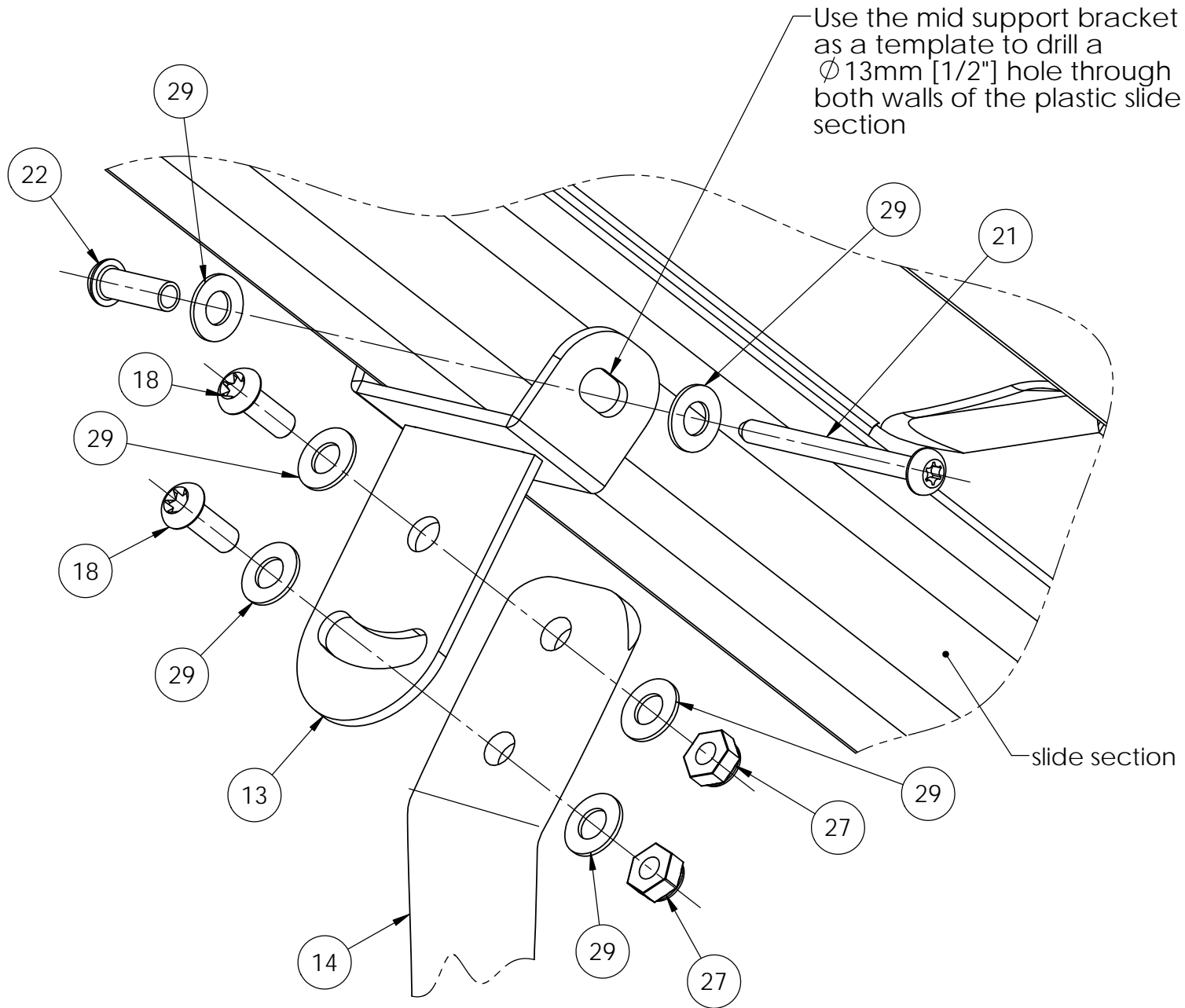
SLIDE DIRECTION

# INST F/KB DUAL ENTRY QUANTUM II SLIDES

KB700078C

SHEET 11 OF 11

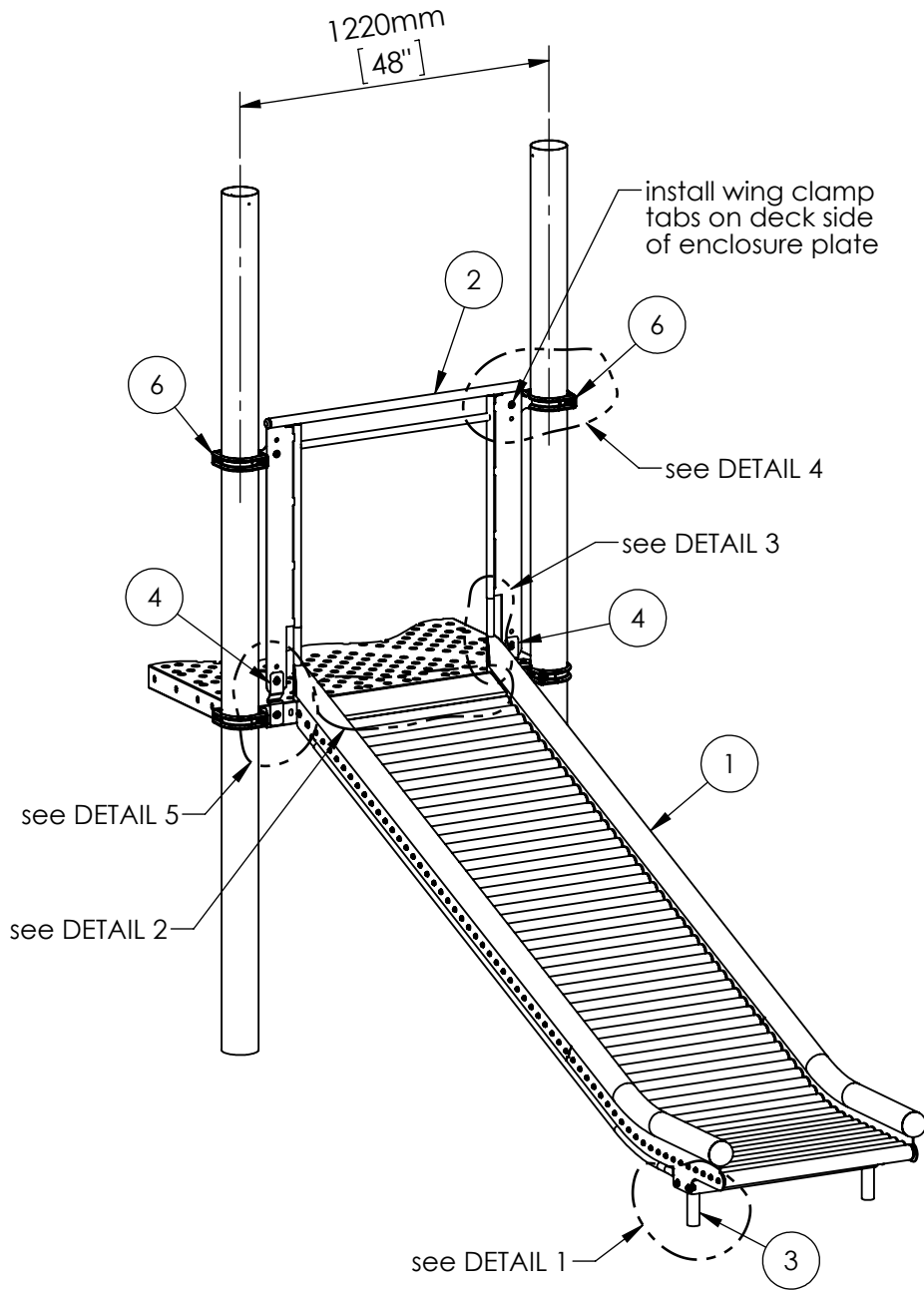
AUTHORIZED BY: 13JUL18  
*Tracy Archer*



**DETAIL 18**

# INST F/KB ROLLER SLIDE 48", 64"

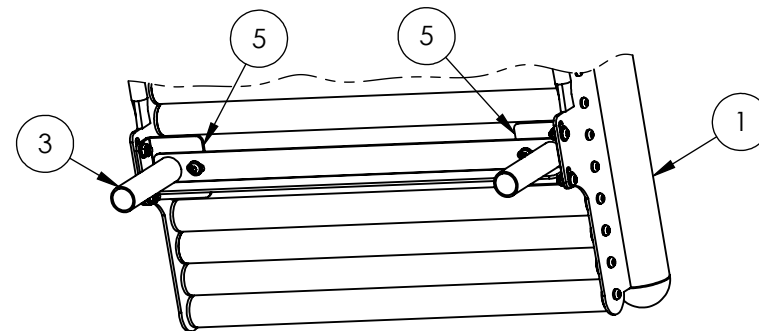
200313414  
 KB700084A  
 SHEET 1 OF 4  
 AUTHORIZED BY: 22MAY15  
*Barry Wilfong*



ROLLER SLIDE 48" F/KB 200203387			
Item	Code	Description	Qty
1	908961	ROLLER SLIDE ASSEMBLY F/48" DECK	1
2	...	ENCL.F/KB DBL.WD.S.S.SLIDE	1
3	...	ROLLER SLIDE SUPPORT F/48 DECK	1
4	...	TAB F/PANEL MOUNTING F/KB	2
5	908863	ROLLER SLIDE SUPPORT MOUNTING L-BRACKET	2
6	...	KB WING CLAMP ASSEMBLY	2

ROLLER SLIDE 64" F/KB 200203386			
Item	Code	Description	Qty
1	911993	ROLLER SLIDE ASSEMBLY F/5' DECK	1
2	...	ENCL.F/KB DBL.WD.S.S.SLIDE	1
3	...	ROLLER SLIDE SUPPORT F/64 & 60 DECK	1
4	...	TAB F/PANEL MOUNTING F/KB	2
5	908863	ROLLER SLIDE SUPPORT MOUNTING L-BRACKET	2
6	...	KB WING CLAMP ASSEMBLY	2

HDWR BAG HW908866			
Item	Code	Description	Qty
7	200002018	SCREW MACH BUTTONHEAD M10 X 1.50 X 25MM	16
8	200001966	T-NUT SLAB BASE M10 X 1.50 X 9.5MM	4
9	200001945	NUT LOCK HEX NYLON INSERTED M10 X 1.5	12
10	200002100	WASHER FLAT M11 32OD X 13ID X 2MM S.S.	6
11	200002079	WASHER FLAT M11 23 X 12 X 1.6 MM	18
12	200000797	HAMMER DRIVE PIN 4.7 X 11.11MM	4



**BOTTOM VIEW OF SLIDE END**

**NOTE: FOR UNDERSURFACING & FOOTINGS REFER TO SEPARATE INSTRUCTIONS**

# INST F/KB ROLLER SLIDE 48", 64"

200313414

KB700084A

SHEET 2 OF 4

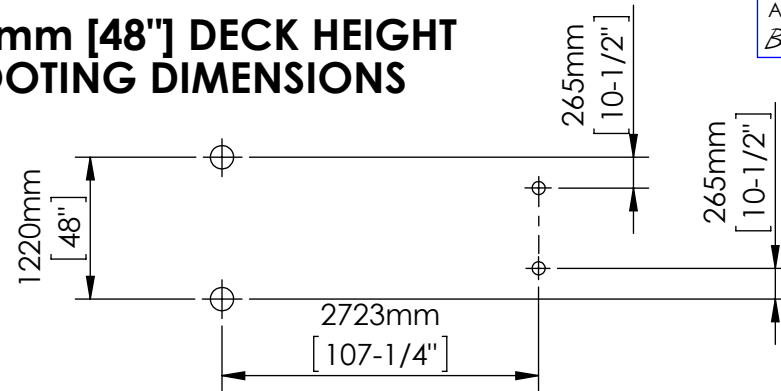
AUTHORIZED BY: 22MAY15

Barry Wilfong

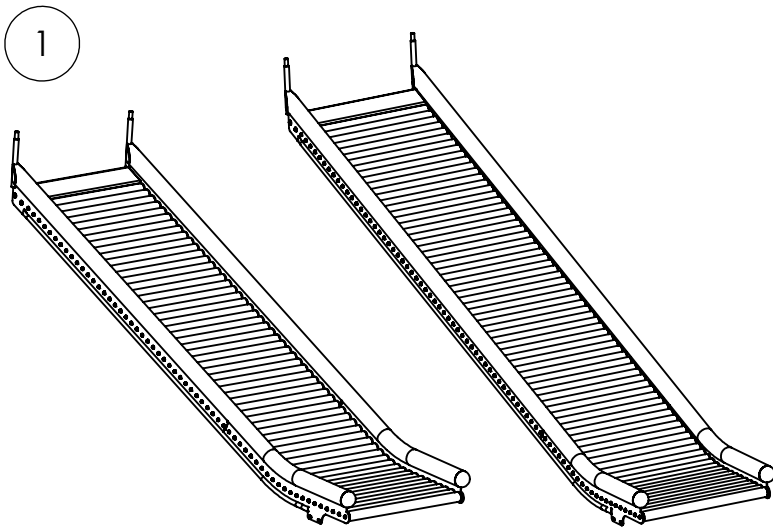
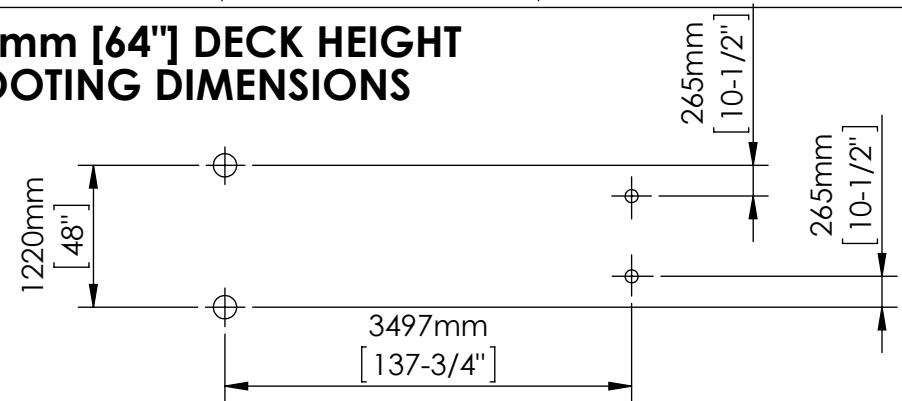
## Installation Instructions

1. Loosely attach end support (item 3) to slide with L bracket (item 5) as shown in DETAIL 1.
2. Attach top of the slide to the deck face as shown in DETAIL 2.
3. Slide enclosure tubes over swaged ends of slide tubes as shown in DETAIL 3.
4. Attach top of enclosure side plates to posts with wing clamps as shown in DETAIL 4. Wing clamp tabs should be installed on deck side of plates.
5. Attach panel tabs (item 4) to bottom of enclosure side plates and deck face as shown in DETAIL 5.
6. Tighten all hardware and install clamp hammer drive pins. Complete footings and install resilient surfacing.

## 1220mm [48"] DECK HEIGHT FOOTING DIMENSIONS

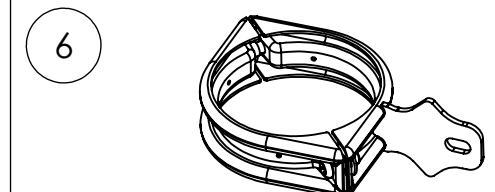
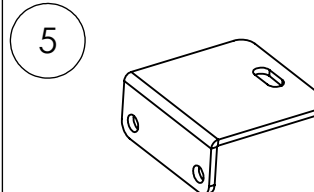
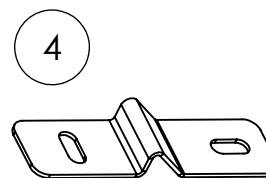
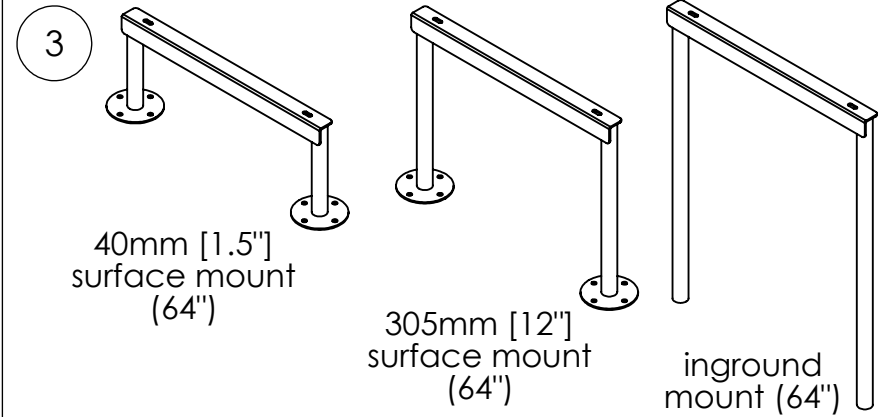
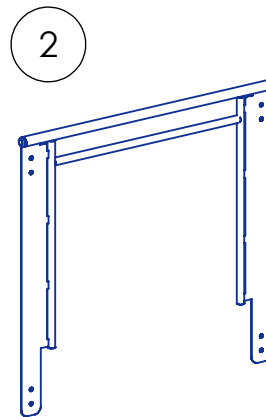


## 1625mm [64"] DECK HEIGHT FOOTING DIMENSIONS



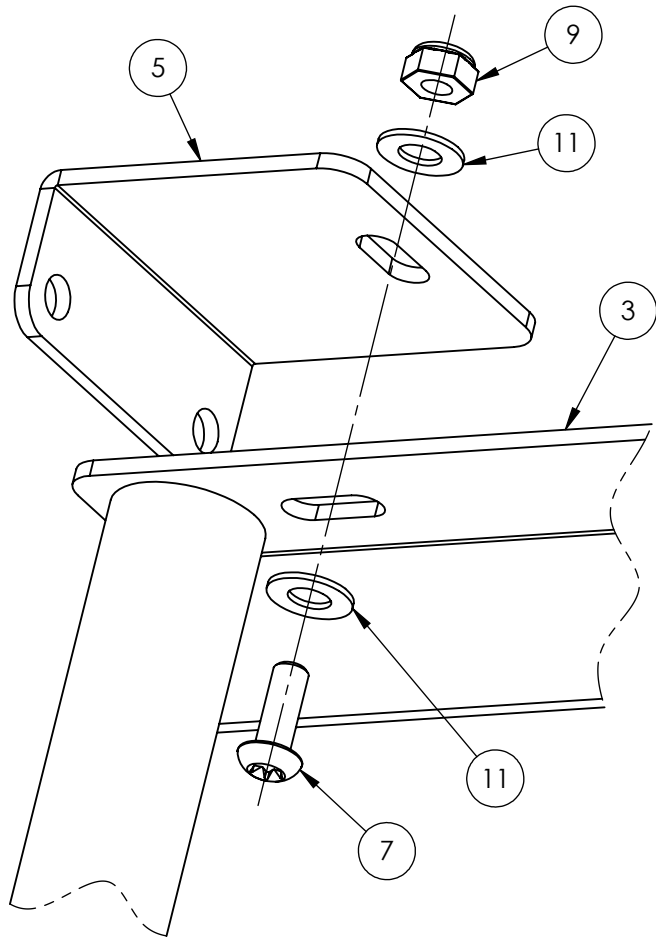
1220mm [48"]

1625mm [64"]

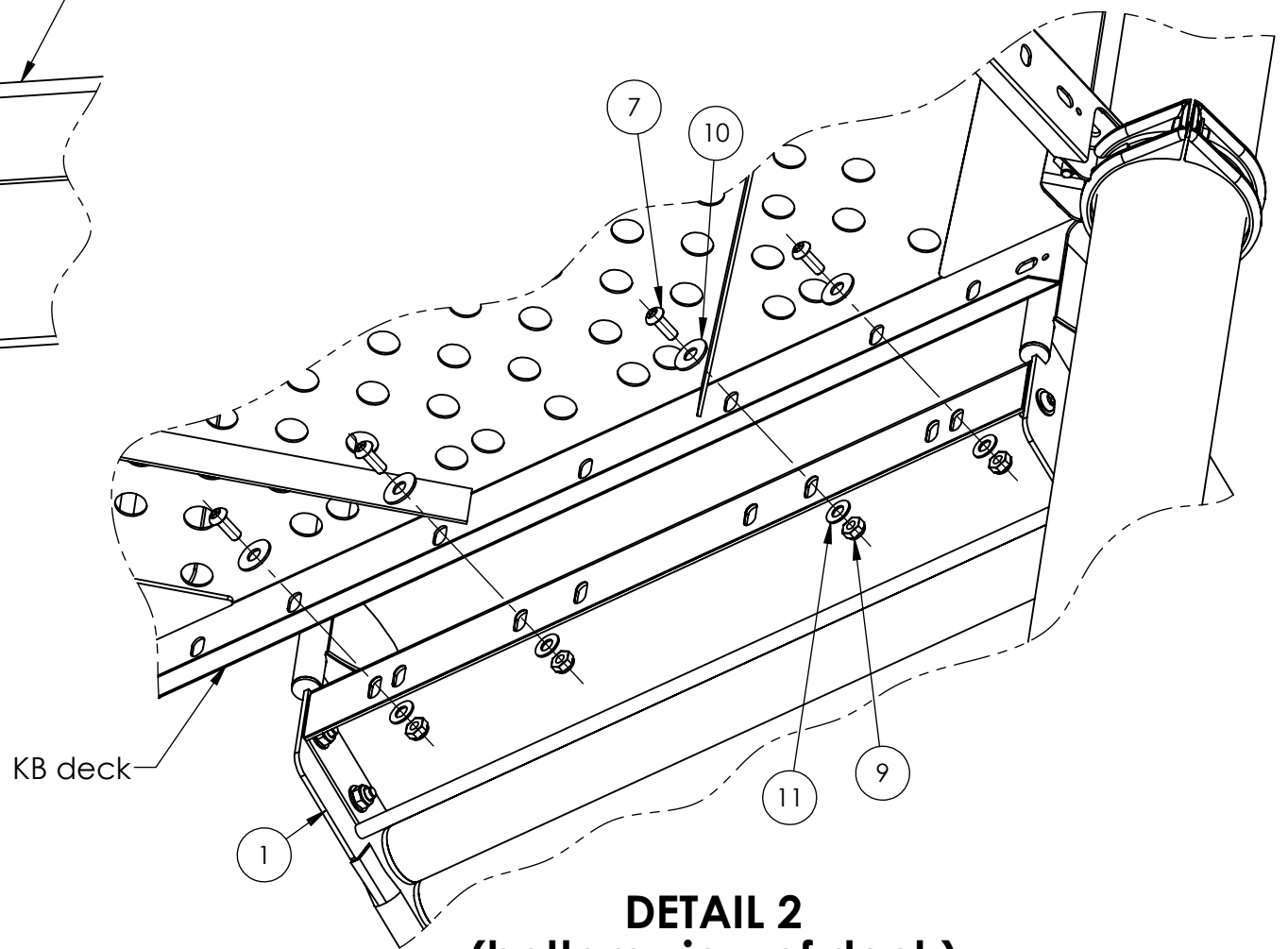


# INST F/KB ROLLER SLIDE 48", 64"

200313414  
KB700084A  
SHEET 3 OF 4  
AUTHORIZED BY: 22MAY15  
*Barry Wilfong*



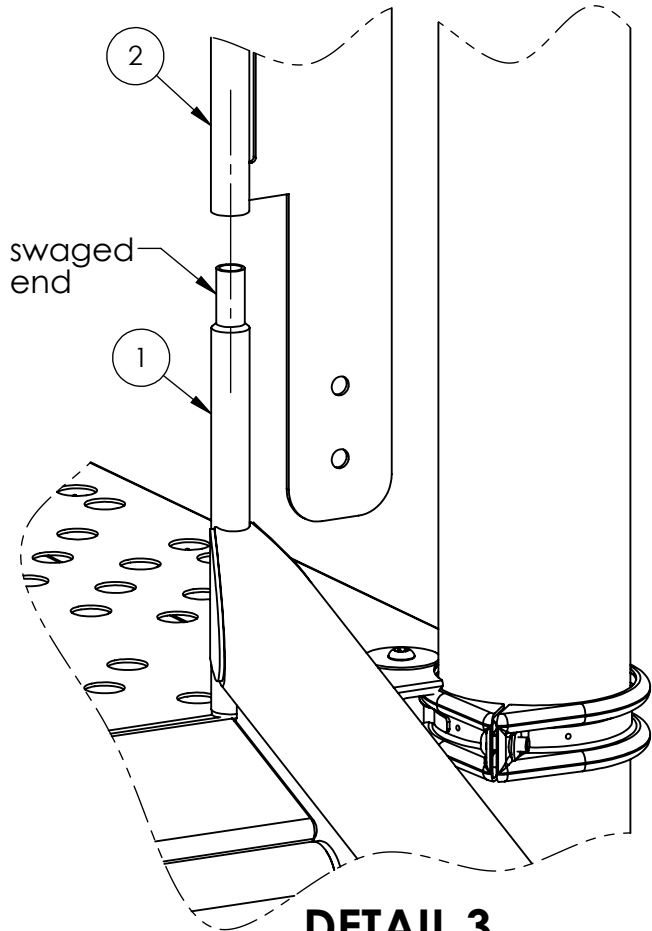
**DETAIL 1  
Typ 2 Places**



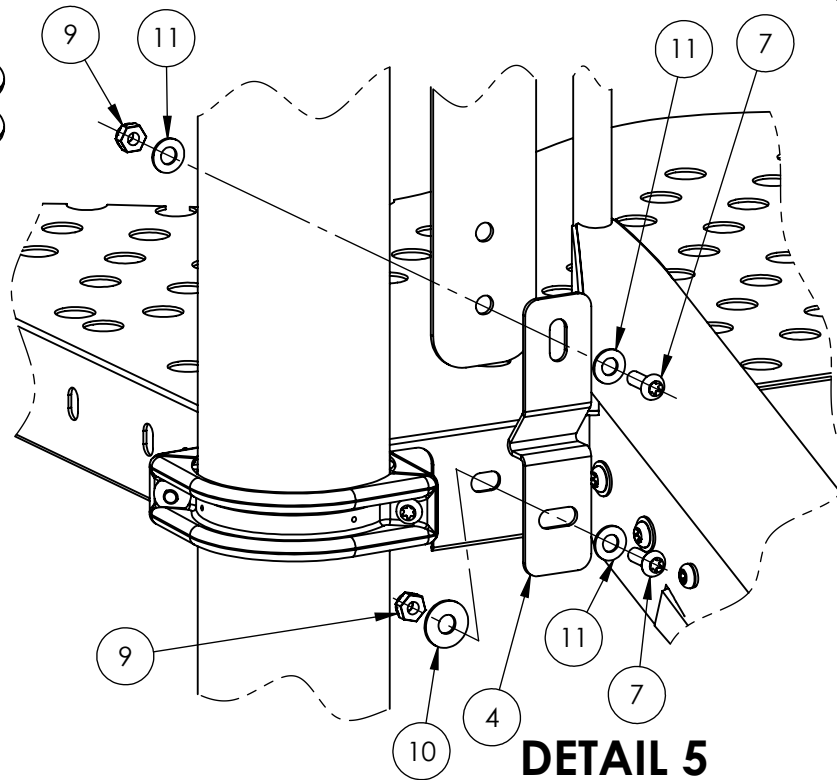
**DETAIL 2  
(bottom view of deck)**

# INST F/KB ROLLER SLIDE 48", 64"

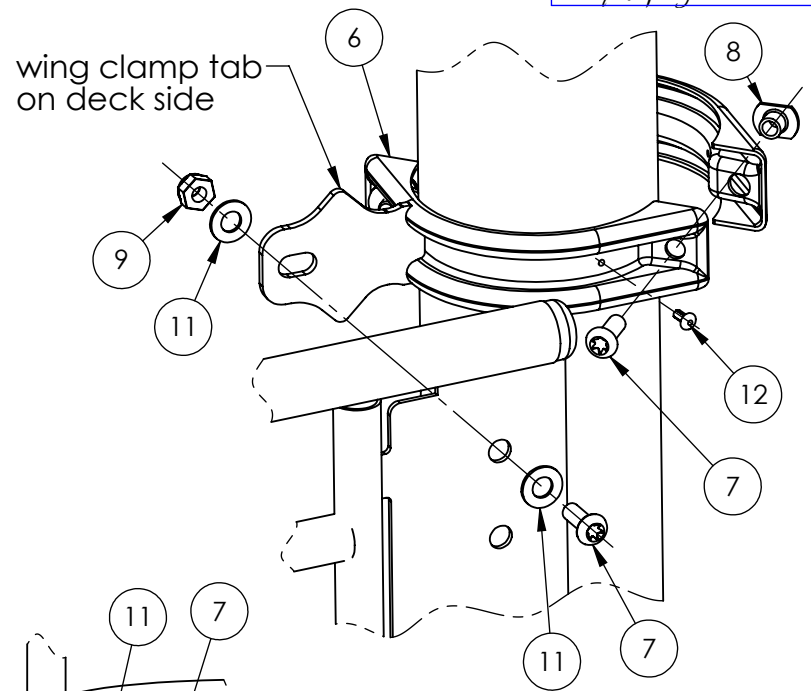
200313414  
KB700084A  
SHEET 4 OF 4  
AUTHORIZED BY: 22MAY15  
*Barry Wilfong*



**DETAIL 3**  
Typ 2 Places

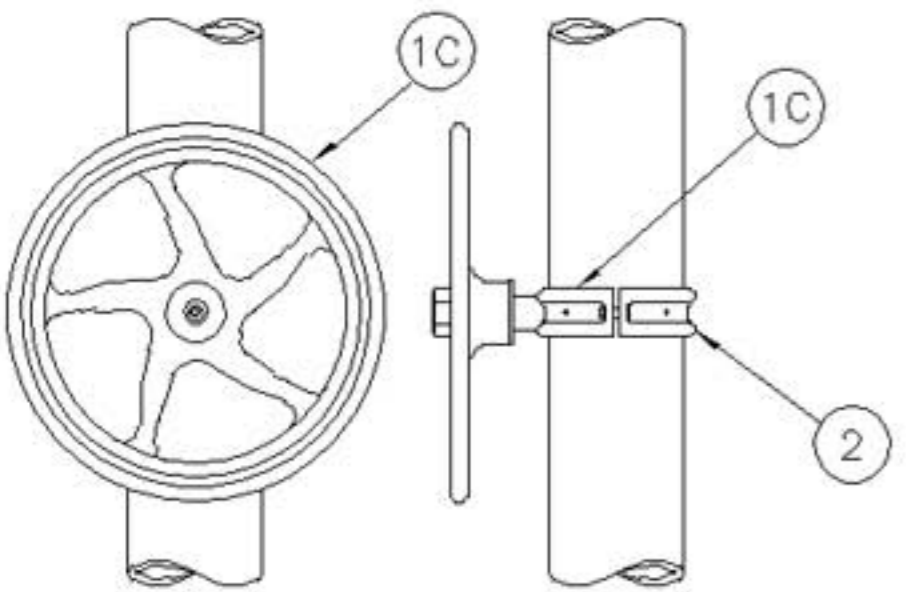


**DETAIL 5**  
Typ 2 Places

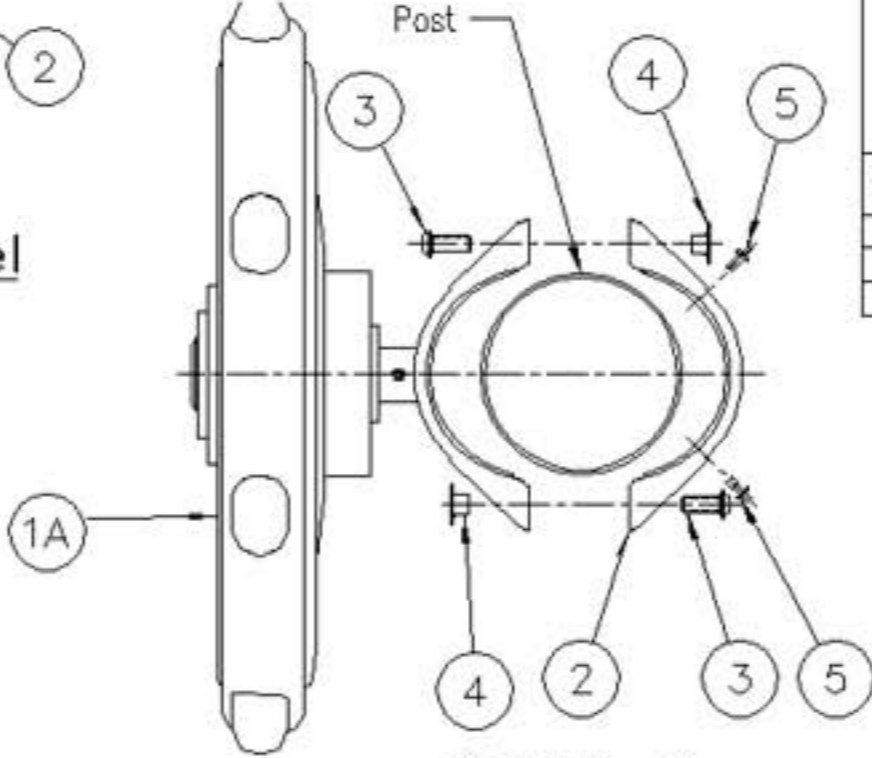


**DETAIL 4**  
Typ 2 Places

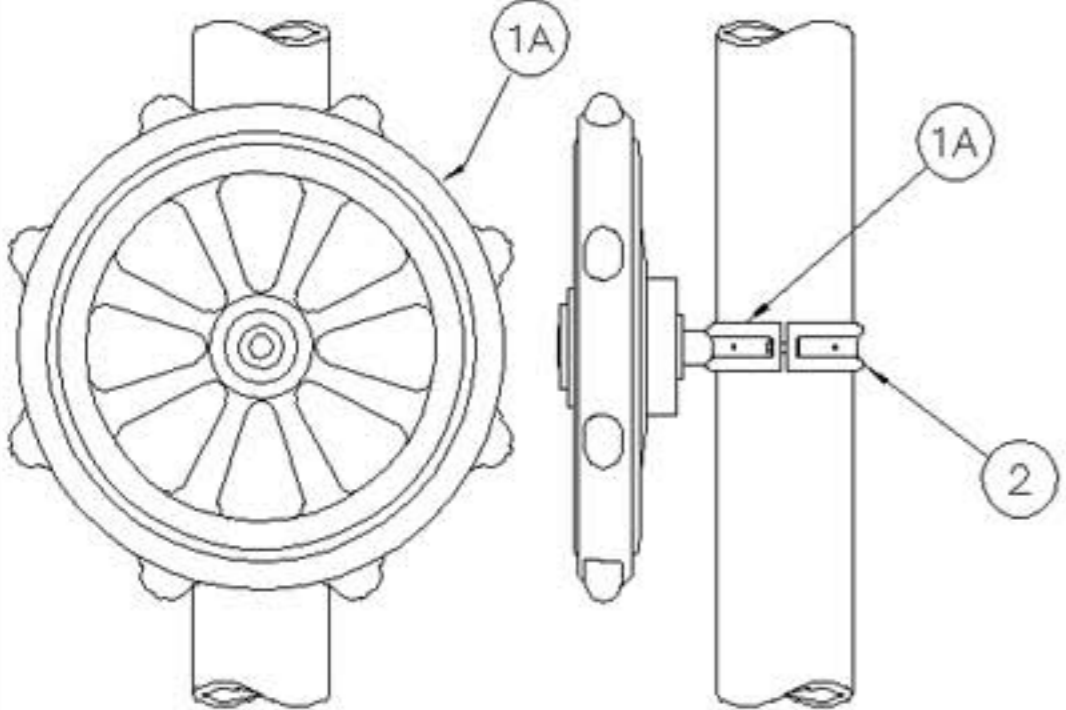
AUTHORIZED BY: 16JUN08  
*Shawn Slinkard*



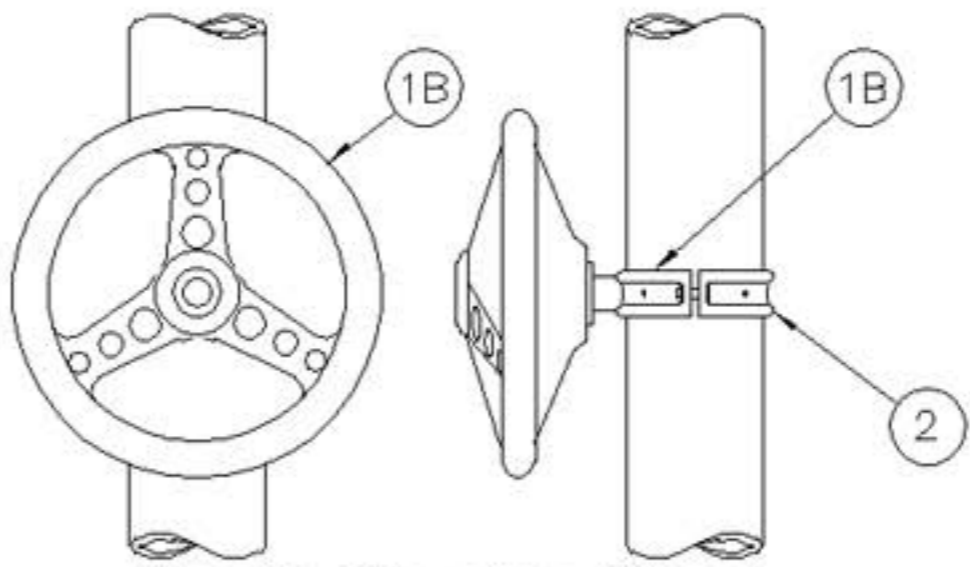
Aluminum Steering Wheel



DETAIL 1  
(Ship Wheel Shown)



Ship Steering Wheel



Plastic Steering Wheel

WHEEL SHIP STEERING KB  
200007091  
WHEEL PLASTIC STEERING WHEEL KB  
200200424  
WHEEL ALUM. STEERING WHEEL KB  
200200425

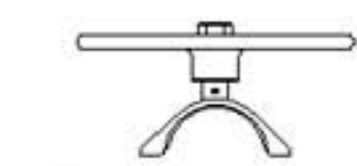
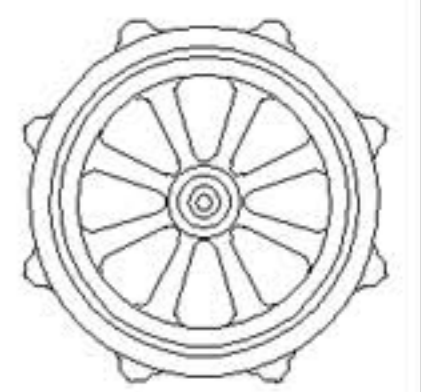
Item	Code	Description	Qty.
1A	-	ASSY. POST MT. f/SHIP STEER WHEEL	1
1B	-	ASSY. POST MT. f/PL. STEER WHEEL	
1C	-	ASSY. POST MT. f/AL. STEER WHEEL	
2	-	CLAMP HALF W/O WELDED ATTACHMENT	1

HDWR BAG F/POST MT. STEERING WHEELS  
200145769

Item	Code	Description	Qty.
3	200002018	SCREW MACH BUTTONHEAD M10 X 1.5 X 25mm	2
4	200001966	T-NUT SLAB BASE M10 X 1.5 X 9.5mm	2
5	200000797	HAMMER DRIVE PIN 4.7 X 11.11mm	2

**Installation Instructions**

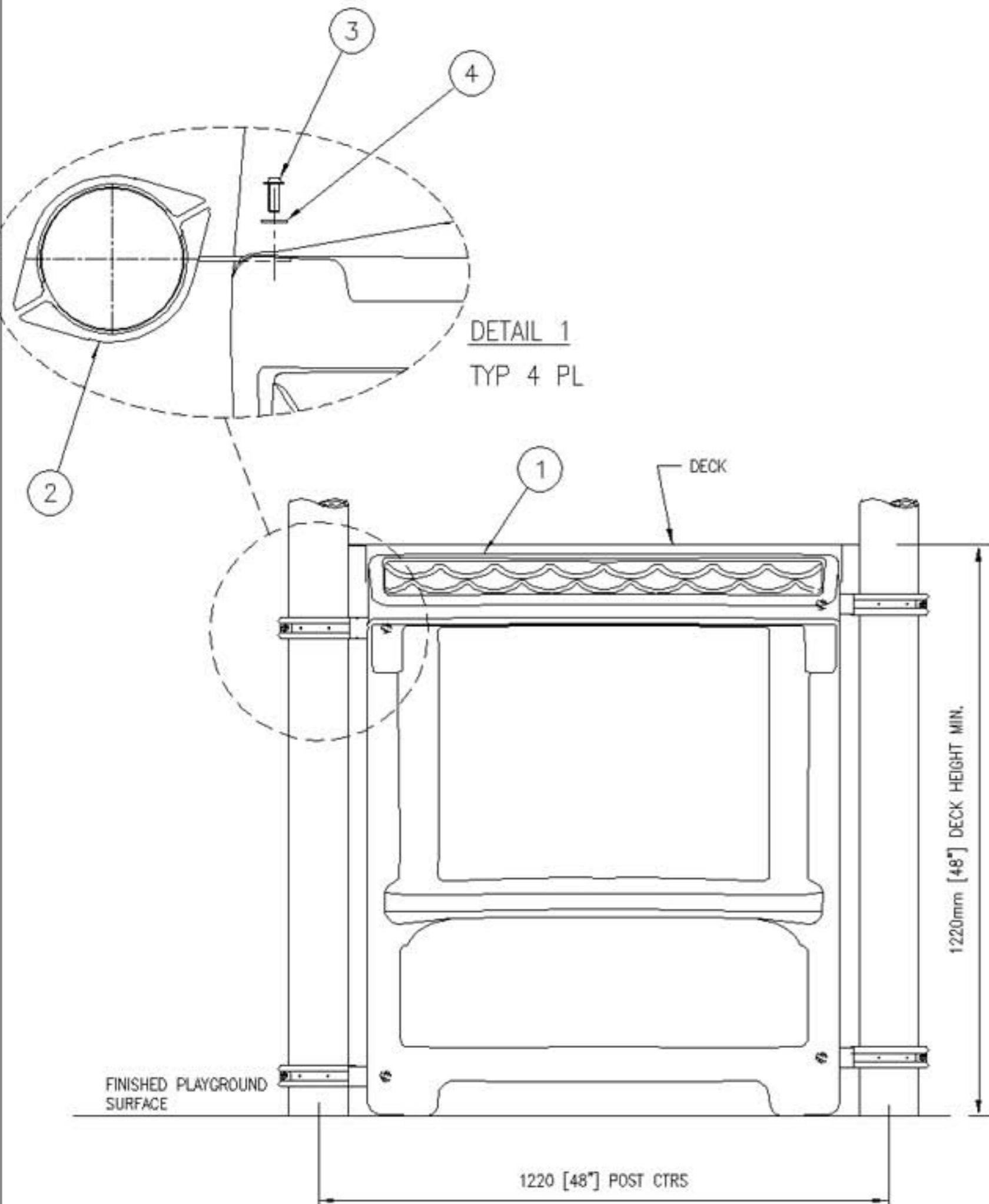
- Loosely attach clamp half (item 2) and Assy. Post Mt. f/Steer Wheel (item 1) to post. (Refer to front of manual for clamp installation detail.)
- Position at correct height and orientation, then tighten hardware.



1C



AUTHORIZED BY: 17JUN08  
*Shawn Slinhard*



**POLYETHYLENE COUNTER PANEL  
200007096**

Item	Code	Description	Qty.
1	-	PANEL COUNTER F/ KB	1
2	-	KB PANEL CLAMP	4

**HDWR BAG SS F/KB DOOR/COUNTER PANELS  
200007591**

Item	Code	Description	Qty.
3	200002018	SCREW MACH BUTTONHEAD M10 X 1.5 X 25mm	4
4	200002079	WASHER FLAT M11 23 X 12 X 1.6 (650012000)	4

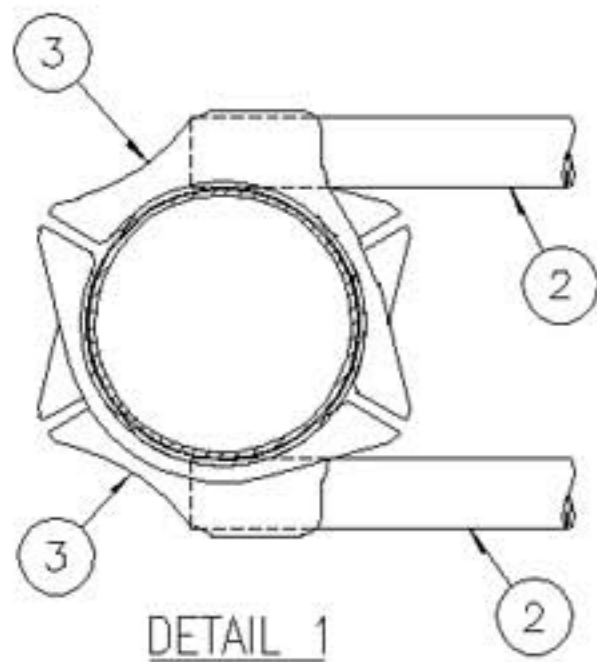
**Application** AGE GROUPS (2-12 YEAR OLDS)  
 -Below deck use only  
 -Cannot be used as an enclosure  
 -Can only be mounted below a 1220 mm[48"] deck or below a 1525mm[60"] or higher deck  
 -Avoid entrapment areas between deck and top of panel

**Installation Instructions**  
 1. Loosely attach panel clamps to the back of panel(Refer to DETAIL 1).  
 2. Loosely assemble clamps to post(Refer to front of manual for clamp installation detail).  
 3. Position panel to correct height and tighten all hardware.

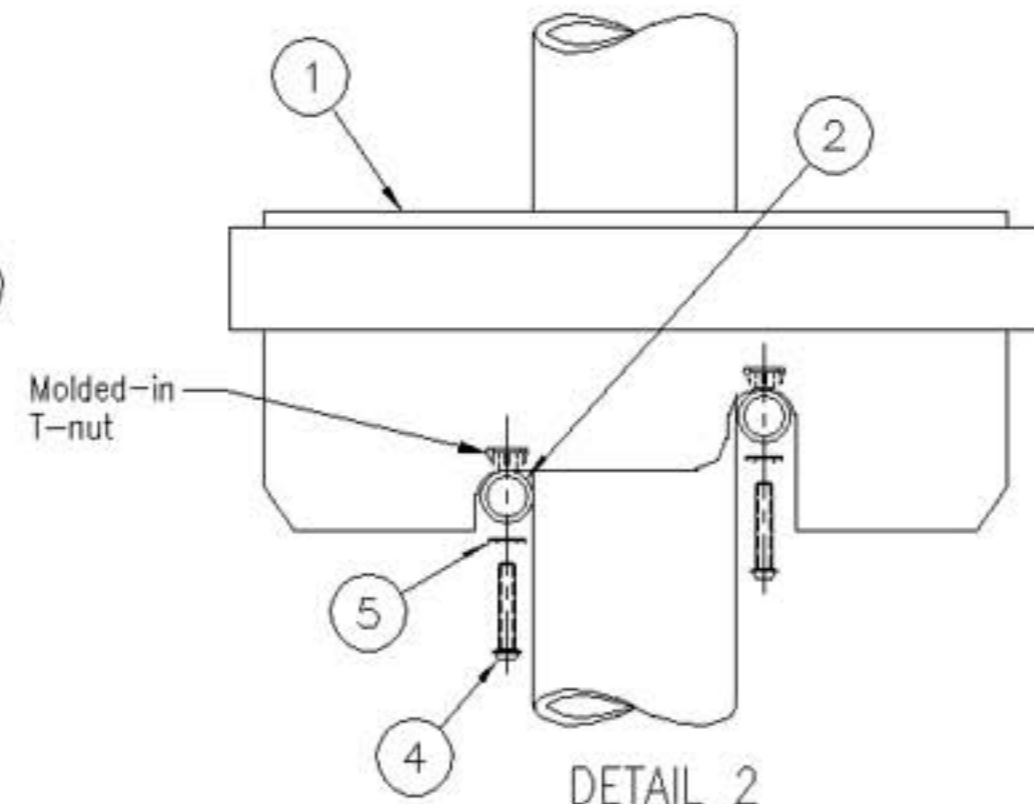


NOTE: FOR UNDERSURFACING & FOOTINGS REFER TO SEPARATE INSTRUCTIONS

AUTHORIZED BY: 17JUN08  
*Shawn Siskard*



**DETAIL 1**  
Typ 2 Places



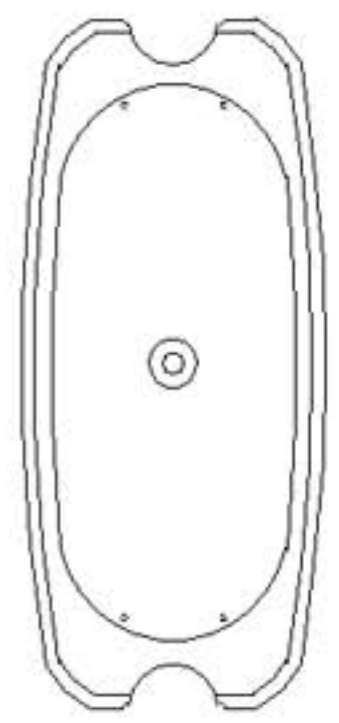
**DETAIL 2**  
Typ 2 Places  
(Near post and clamps removed for clarity)

**PANEL ADJUSTABLE COUNTER KB  
200007097**

Item	Code	Description	Qty.
1	-	PANEL ADJUSTABLE COUNTER F/KB	1
2	200000971	RAIL SUPP. F/KB ADJ. COUNTER BRN	2
3	-	HOODED RAIL CLAMP	4

**HDWR BAG F/KB ADJ. COUNTER PANEL  
200007593**

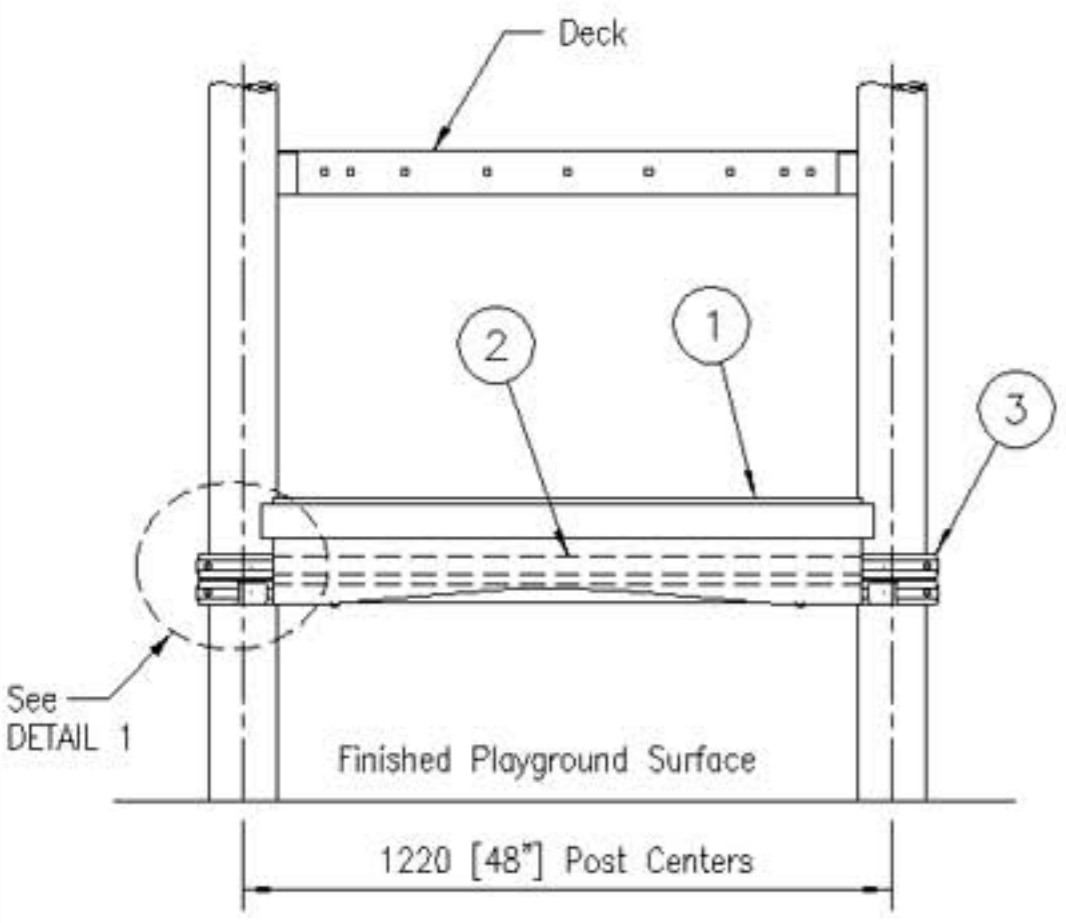
Item	Code	Description	Qty.
4	200002150	SCREW MACH BUTTONHEAD M10 X 1.5 X 55 MM	4
5	200008483	WASHER BOWED M11 23.5 X 11.7 X 1.57 MM	4



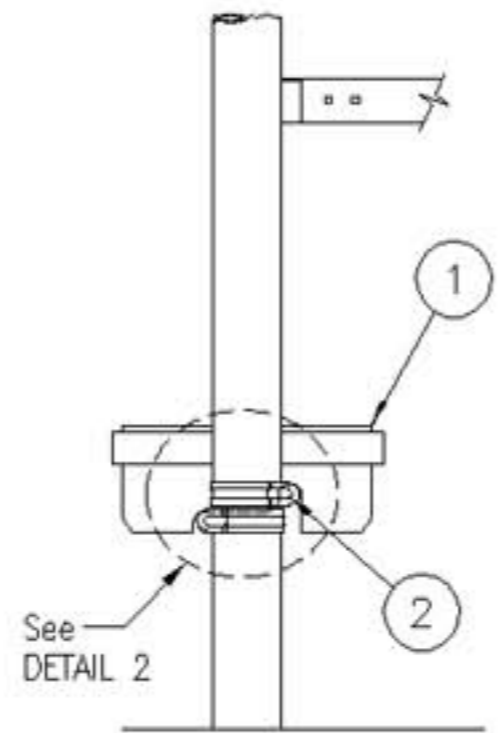
1

- Application**
- Age groups: 2 - 12 year olds
  - For Kid Builders structures only
  - For below deck use only
  - Cannot be used as an enclosure

- Installation Instructions**
1. Insert the ends of both rails into the hooded clamp halves and loosely attach clamps to posts (refer to DETAIL 1 and to front of manual for clamp installation detail). One clamp will be stacked on top of the other.
  2. Lower the adjustable counter panel onto the rails and attach with hardware (refer to DETAIL 2). Some fine adjustment may be required for a snug fit.
  3. Position at proper height, tighten all hardware and install clamp drive pins.



1220 [48"] Post Centers



See DETAIL 2



2

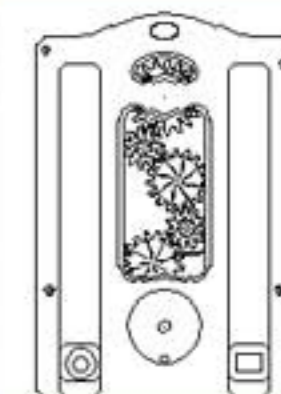
## SEVEN STATION PLAY FACTORY 200025141

AUTHORIZED BY: 17JUN08  
*Shawn Slinkard*

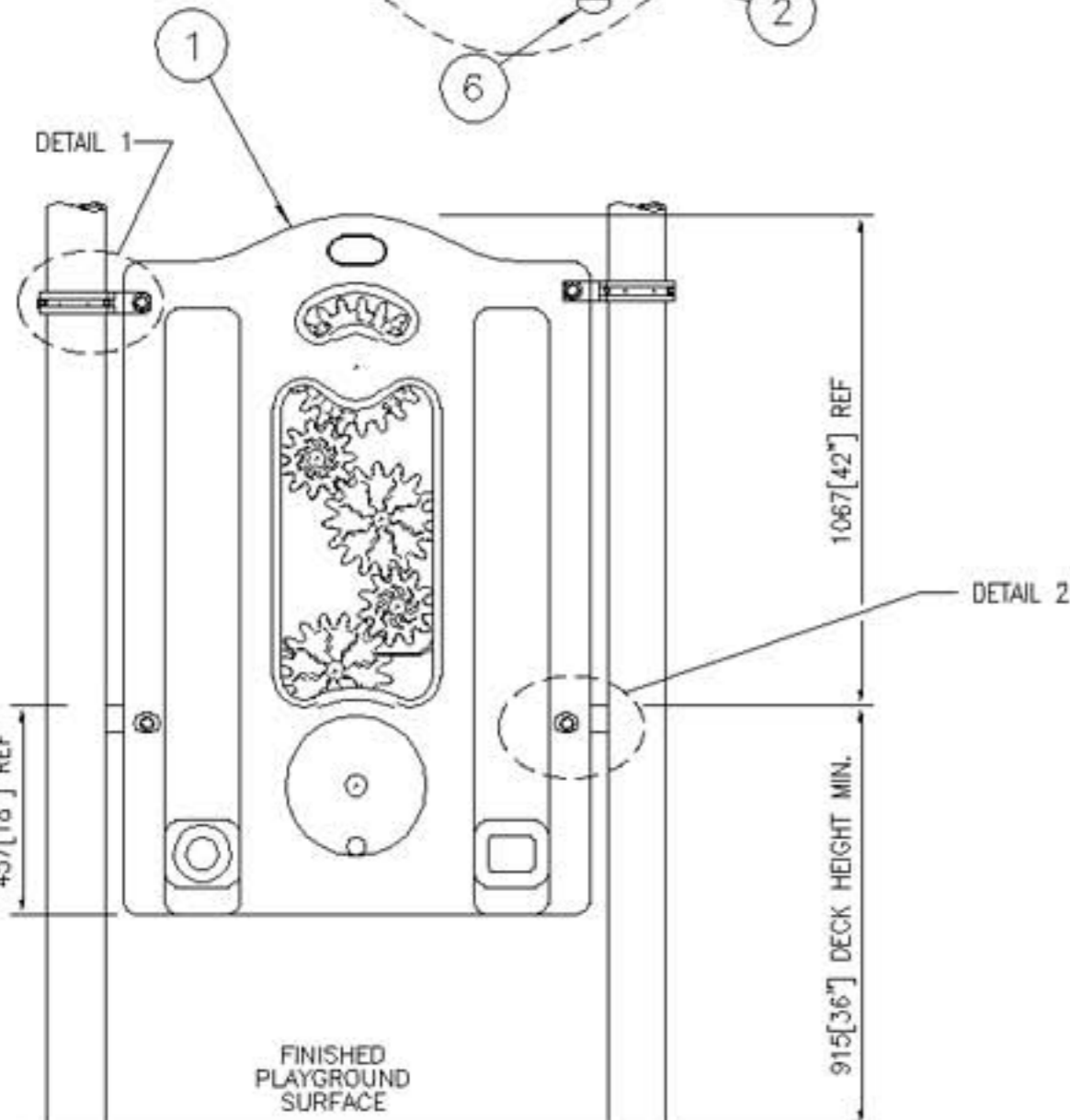
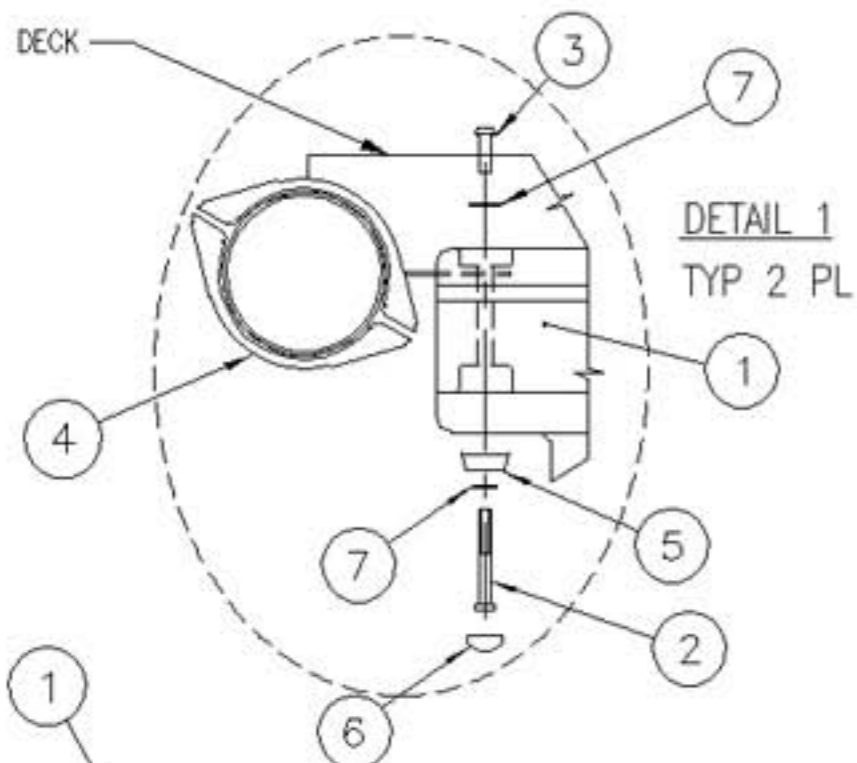
Item	Code	Description	Qty.
1	-	KB SEVEN STATION PANEL ASSEMBLY	1
4	-	KB PANEL CLAMP	2

## HDWR BAG F/KB 7 STATION PANEL (MM) 200025140

Item	Code	Description	Qty.
2	200001826	CAP SCREW HEX HEAD M8 X 1.25 75mm	4
3	200002145	BOLT M8 X 1.25 FEMALE 10.3 X 30mm	4
5	200002340	CAP HDWR BASE BLU	4
6	200002311	CAP HDWR COVER BLU	4
7	200002079	WASHER FLAT M11 23 X 12 X 1.6mm (650012000)	8



1

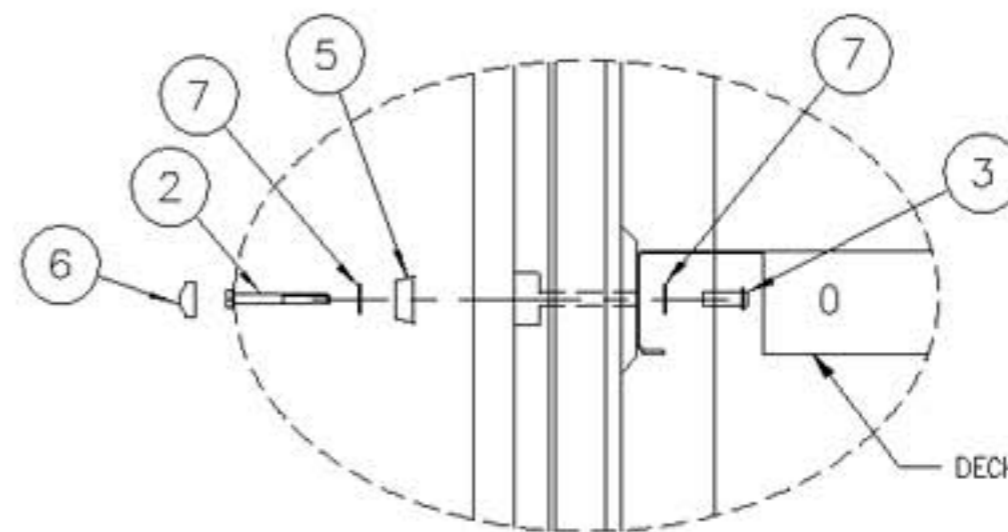


### Application AGE GROUPS (2-12 YEAR OLDS)

1. For above deck use only.
2. Not recommended for deck heights under 915mm[36\"].
3. Can be used as an enclosure.
4. Posts are on 1220mm[48\"] centers.

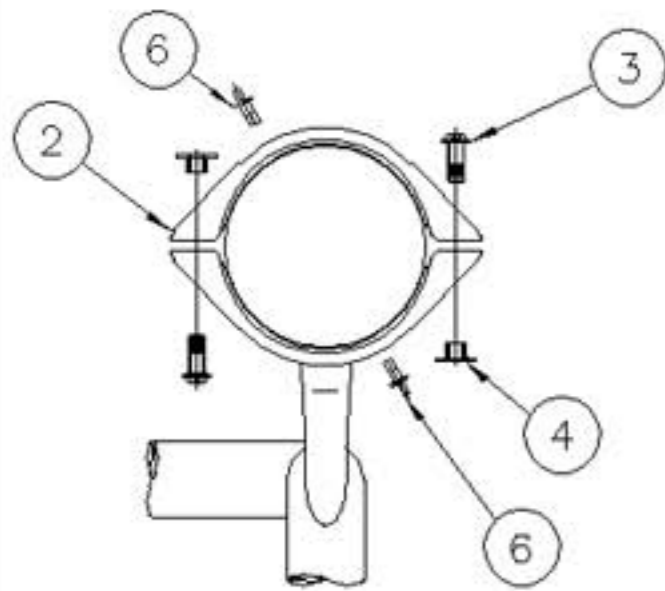
### Installation Instructions

1. Loosely attach panel clamps by inserting into panel slots(Refer to DETAIL 1).
2. Loosely assemble clamps to post(Refer to front of manual for clamp installation detail).
3. Position panel to correct height and attach to deck edge(Refer to DETAIL 2).
4. Tighten all hardware and assemble HDWR Covers.

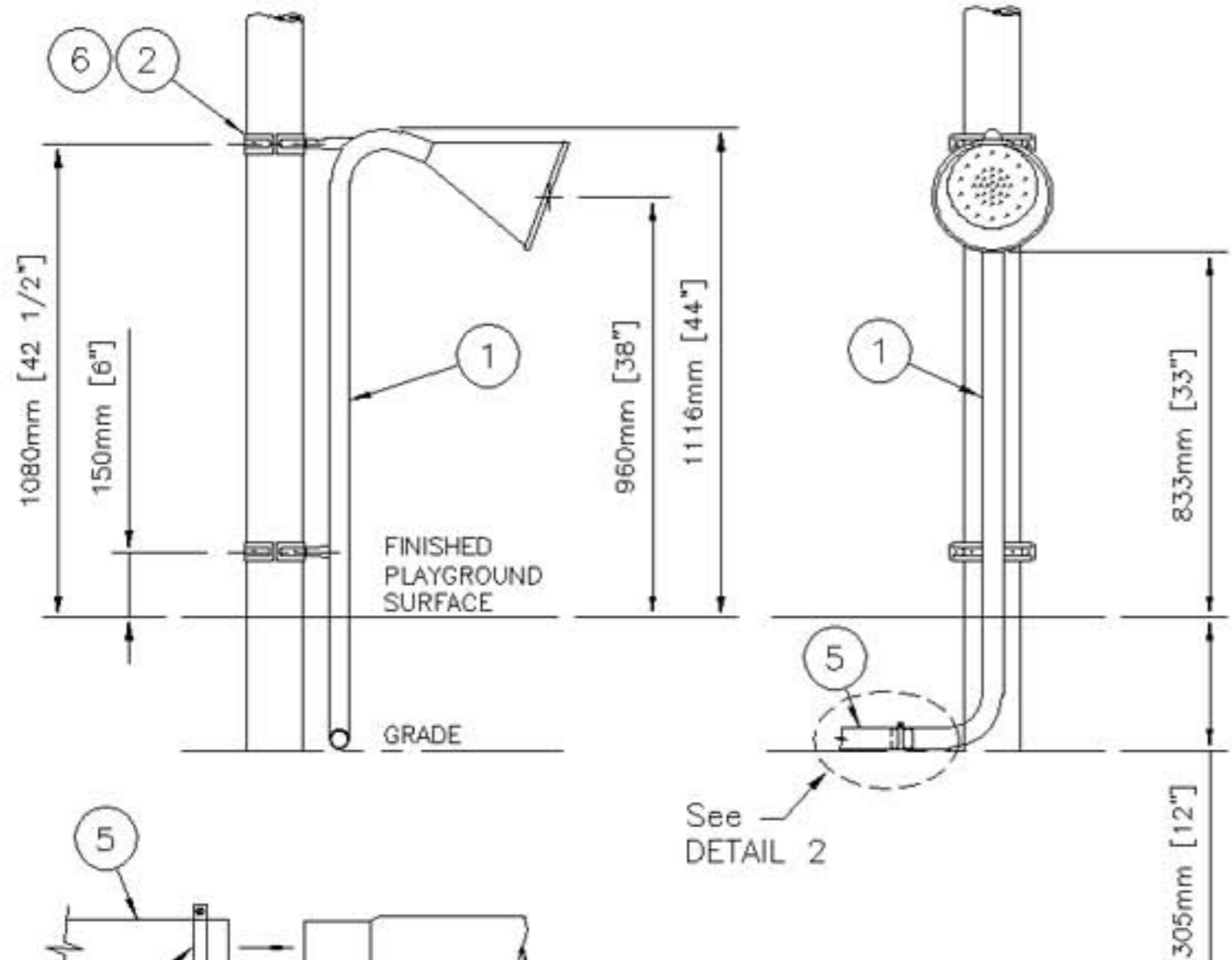
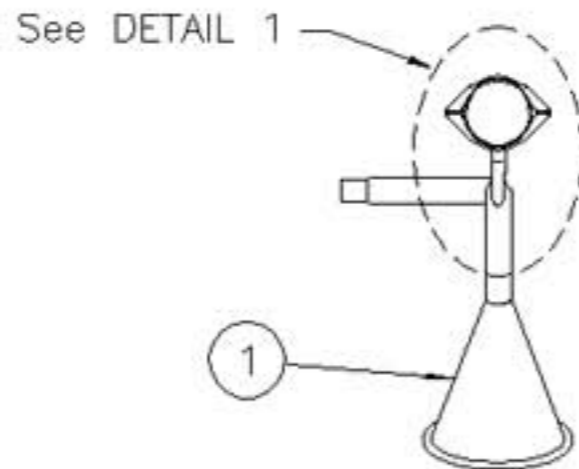


DETAIL 2  
TYP 2 PL

*W.P. [Signature]*



DETAIL 1



DETAIL 2

## TALK TUBE KB MODEL NUMBER 200058823

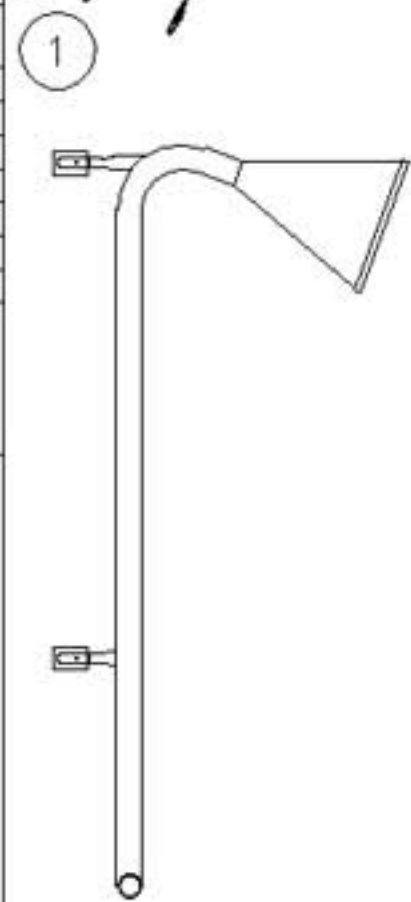
Item	Code	Description	Qty.
1	-	TALK TUBE F/KB STRUCTURE MOUNTED	2
2	-	CLAMP HALF W/O WELDED ATTACHMENT ZN	4
3	200002018	SCREW MACH BUTTONHEAD M10 X 1.50 X 25mm	8
4	200001966	T-NUT SLAB BASE M10 X 1.50 X 9.5mm	8
5	200008697	HOSE POLYETHYLENE 1-1/2" I.D. X 50' BLK	1
6	200000797	HAMMER DRIVE PINS	8
7	-	HOSE CLAMPS	2

### Application

- Age group: (2-12 year olds)

### Installation Instructions

1. Attach the talk tubes to the posts. (Refer to DETAIL 1)
2. Extend the polyethylene hose (item 5) out to make sure it will reach. When rubber tile or pour-in-place will be used for the resilient surfacing, the hose (item 5) will need to be recessed in a trench so that the top of the hose is flush with the grade level.
3. Cut hose to the length required. Connect the polyethylene hose to the talk tubes (refer to DETAIL 2).
4. Tighten all hardware and install clamp drive pins.
5. Install resilient surfacing.

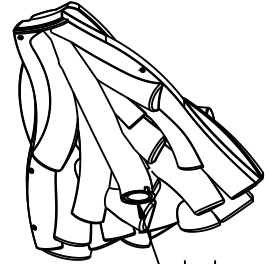


(NOTE: FOR UNDERSURFACING & FOOTINGS REFER TO SEPARATE INSTRUCTIONS)

AUTHORIZED BY: 04APR11

*Chris M. [Signature]*

1



hole for post

**KB NOODLE ROOF SINGLE 200202505**

Item	Code	Description	Qty.
1	-	KB NOODLE ROOF	1

**HDWR BAG KB NOODLE ROOF SINGLE 200195639**

Item	Code	Description	Qty.
2	200002002	SCREW DRILL HEX HEAD M6,3 X 1.81 X 65MM	2

**KB NOODLE ROOF DOUBLE 200202506**

Item	Code	Description	Qty.
1	-	KB NOODLE ROOF	2

**HDWR BAG KB NOODLE ROOF DOUBLE 200195640**

Item	Code	Description	Qty.
2	200002002	SCREW DRILL HEX HEAD M6,3 X 1.81 X 65MM	4
3	200000990	SCREW DECK S.S. #10 X 3" 90000A257	4
4	200001163	ROBERTSON DRIVER BIT #2 7185A22	1

**KB NOODLE ROOF HALF HEX 200202507**

Item	Code	Description	Qty.
1	-	KB NOODLE ROOF	4

**HDWR BAG KB NOODLE ROOF HALF HEX 200195641**

Item	Code	Description	Qty.
2	200002002	SCREW DRILL HEX HEAD M6,3 X 1.81 X 65MM	8
3	200000990	SCREW DECK S.S. #10 X 3" 90000A257	12
4	200001163	ROBERTSON DRIVER BIT #2 7185A22	1

**KB NOODLE ROOF HEX 200202508**

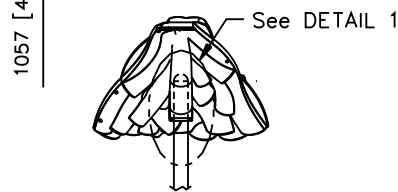
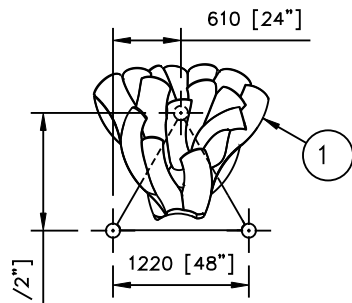
Item	Code	Description	Qty.
1	-	KB NOODLE ROOF	6

**HDWR BAG KB NOODLE ROOF HEX 200195642**

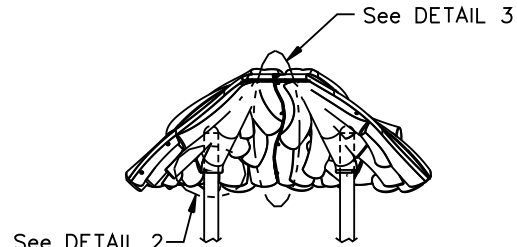
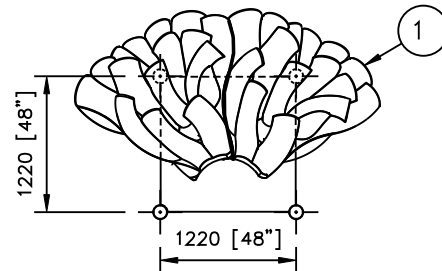
Item	Code	Description	Qty.
2	200002002	SCREW DRILL HEX HEAD M6,3 X 1.81 X 65MM	12
3	200000990	SCREW DECK S.S. #10 X 3" 90000A257	24
4	200001163	ROBERTSON DRIVER BIT #2 7185A22	1

**Installation Instructions**

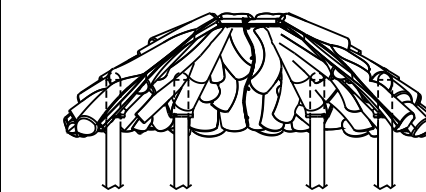
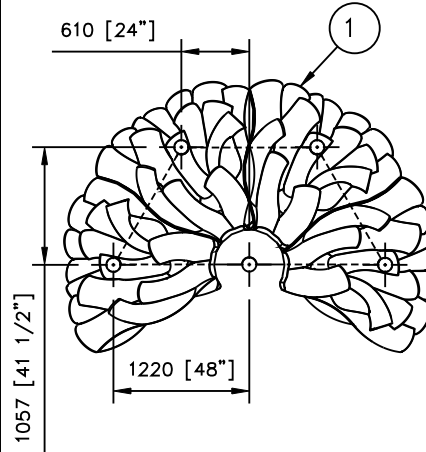
- Determine which noodle roof configuration is to be installed.
- Lift noodle roof section (item 1) to top of post, insert post into hole in bottom of roof and push roof section down onto post. Insert post approximately 356mm [14"] into plastic roof section, as shown in DETAIL 1.
- Anchor the noodle roof section (item 1) to post as shown in DETAIL 2.
- If using double (2 sections), half hex (4 sections), or full hex (6 sections) configurations, anchor the roof sections together as shown in DETAIL 3.
- If using the full hex configuration, assemble all six plastic roof sections, but do not push roof fully onto posts. Push the connected roof sections down evenly around entire roof onto posts in small increments to prevent binding. Make sure all posts are inserted approximately 356mm [14"].



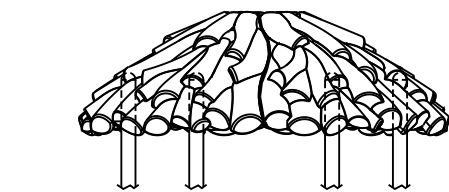
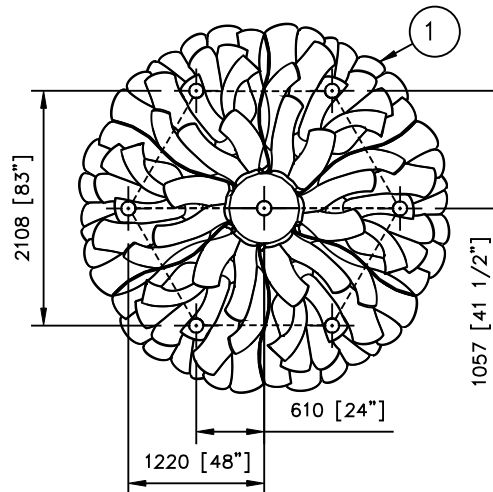
1 SECTION ROOF ON TRI DECK



2 SECTION ROOF ON SQUARE DECK

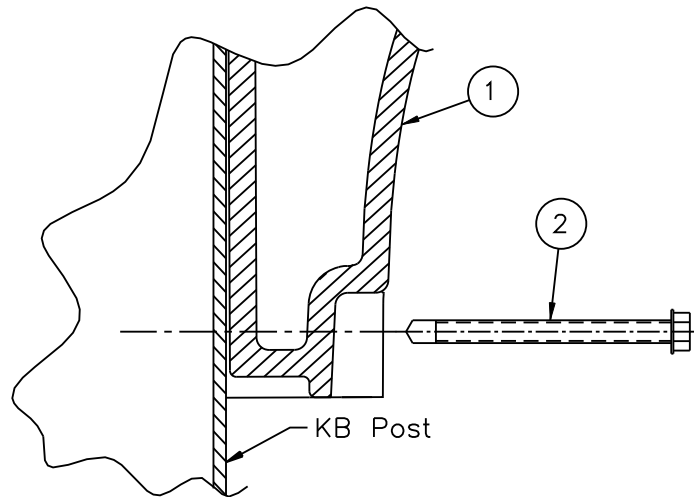
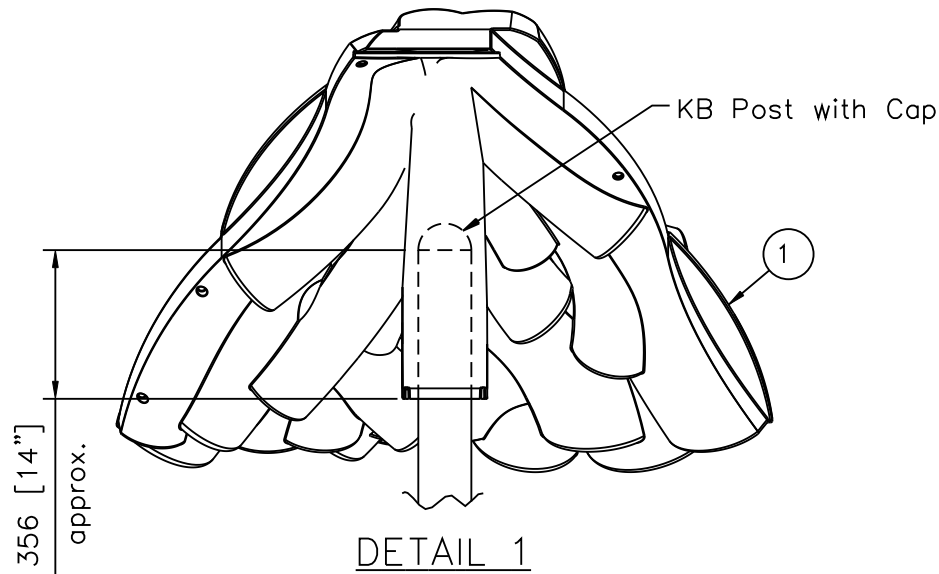


4 SECTION ROOF ON HALF HEX DECK

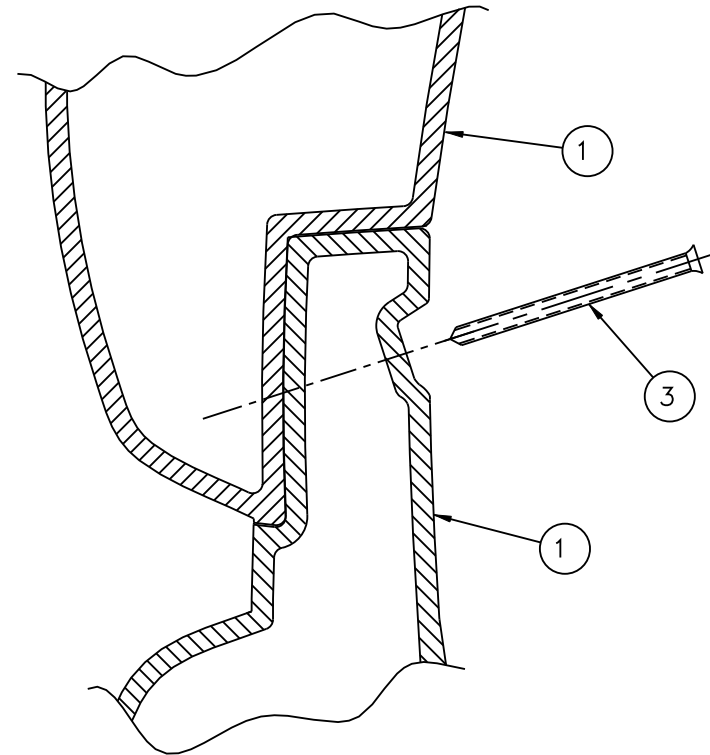


6 SECTION ROOF ON HEX DECK

AUTHORIZED BY: 04APR11  
*Chris M. [Signature]*



DETAIL 2  
Typ 2 Places per Post



DETAIL 3  
Typ 4 Places  
per Section Attachment



Project Number: I0005220213

PlayArea: UP20-71874 Platinum\_1 | PlayBuilders

Project Name: Town of Labrador City

Project Location:

Sales Representative:

Coastline Specialties Ltd  
46 Robin Hood Bay Road  
St. John's, NL A1A 5V3  
(709) 726-9155

## Installation Instructions

Please, read all information in this manual before starting to install your equipment.

Date: 2022-11-02 12:00:00 AM



## INTRODUCTION

Before starting installation, study your Play Builder Playground Layout Drawing and all installation instructions carefully. Pay special attention to the locations of posts, deck heights and fall area zones. Consider things such as, accessibility, direct sunlight/shade, fall area, and visibility of supervision when planning the orientation of your structure.

The resilient surfacing must be well drained. If it does not drain naturally, it must be tiled or sloped at 38mm[1/8"] to 63.5mm[1/4"] per foot to a drainage system.

### THE ORDER OF ASSEMBLY:

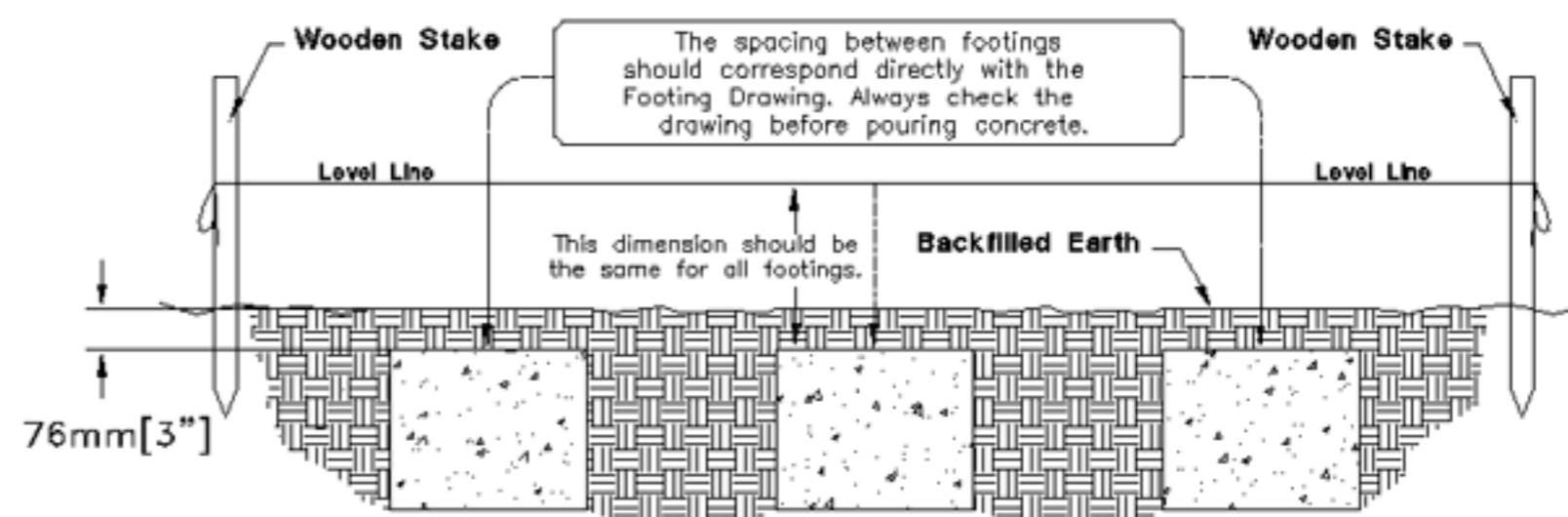
- 1) Prepare your site. (Consideration is necessary for installing the talk tube on a structure. See Site Preparation Guidelines," or Talk Tube instructions for details.)
- 2) If you are using an Anchor bolt, you will need to pour concrete at least 48 hours in advance. Do not leave any open holes overnight. (Never leave a structure overnight in a potentially hazardous condition i.e. open footing holes, open decks, exposed concrete, without roping off the area and posting warning signs. It is always best if the construction is scheduled such that the entire installation can be performed in one day, however, with larger structures this may be difficult.)
- 3) Start with the lowest deck and four posts. Calculate the location of the deck top on the first post by adding 991[39"] to the deck height. Mark the post then install as shown. (See Square Deck installation instructions for further details. **THE INSTALLATION OF THE FIRST DECK IS CRITICAL TO PROPERLY INSTALLING THIS EQUIPMENT, SO MAKE SURE THE POSTS AND DECK ARE AT THE PROPER HEIGHT AND ARE PLUMB AND LEVEL.**)
- 4) Place this assembly in the footings. If you are sure the first deck assembly is correctly positioned, you may pour the four post footings at this time to help stabilize the structure. If installing the Surface Mount method, move the assembly to the proper location. Use the feet as templates, drill bolt holes and secure the structure to the footings.
- 5) If a Deck to Deck Plate, Ladder Panel, or Interstep Deck are to be attached to the first deck, assemble the bottom edge to the deck edge. See individual instructions for details.
- 6) Attach the next deck to two posts and move the posts into the footing holes and level the deck. Attach the two open corners of the deck to the previous deck assembly posts. Finish installing the deck to deck attachment by assembling it to the edge of the upper deck.

- 7) Attach any structure linking events or overheads to the deck assemblies, such as Crawl Tunnels, Clatter Bridges, Burmese Bridges, Suspension Bridges, Challenge Ladders, etc..Continue to add the remaining decks and deck attachments to the existing structure until all platforms are in place.
- 8) Make sure the structure is level and the decks are at the proper height. Install any roofs or enclosures.
- 9) Install all remaining events.
- 10) Place warning labels on the structure.
- 11) Install resilient surfacing on the entire "use zone".

### MAKING LEVEL FOOTINGS:

By using wooden stakes and stringing a level line, you can determine the proper height for your concrete. If available, a surveyor's transit will also be helpful.

Determine ground level at the lowest footing location and pour concrete in this location first. This level will be your datum plane. (The point at which all other footing heights are referenced from.) Pour the rest of the footings up to 76mm[3"] from the level of the datum plane. Make sure that all measurements from the top of the poured footing to the level line are the same. (Hint: If installing a surface mount structure, concrete should be poured at least 48 hours in advance of the playground being installed to ensure maximum holding potential.)



Note: 94 lbs. of concrete = 1ft<sup>3</sup>

207 grams = 0.041m<sup>3</sup>

If installing with the Inground method, you must always backfill footings with at least 76mm[3"] of earth after concrete has cured. (not shown)





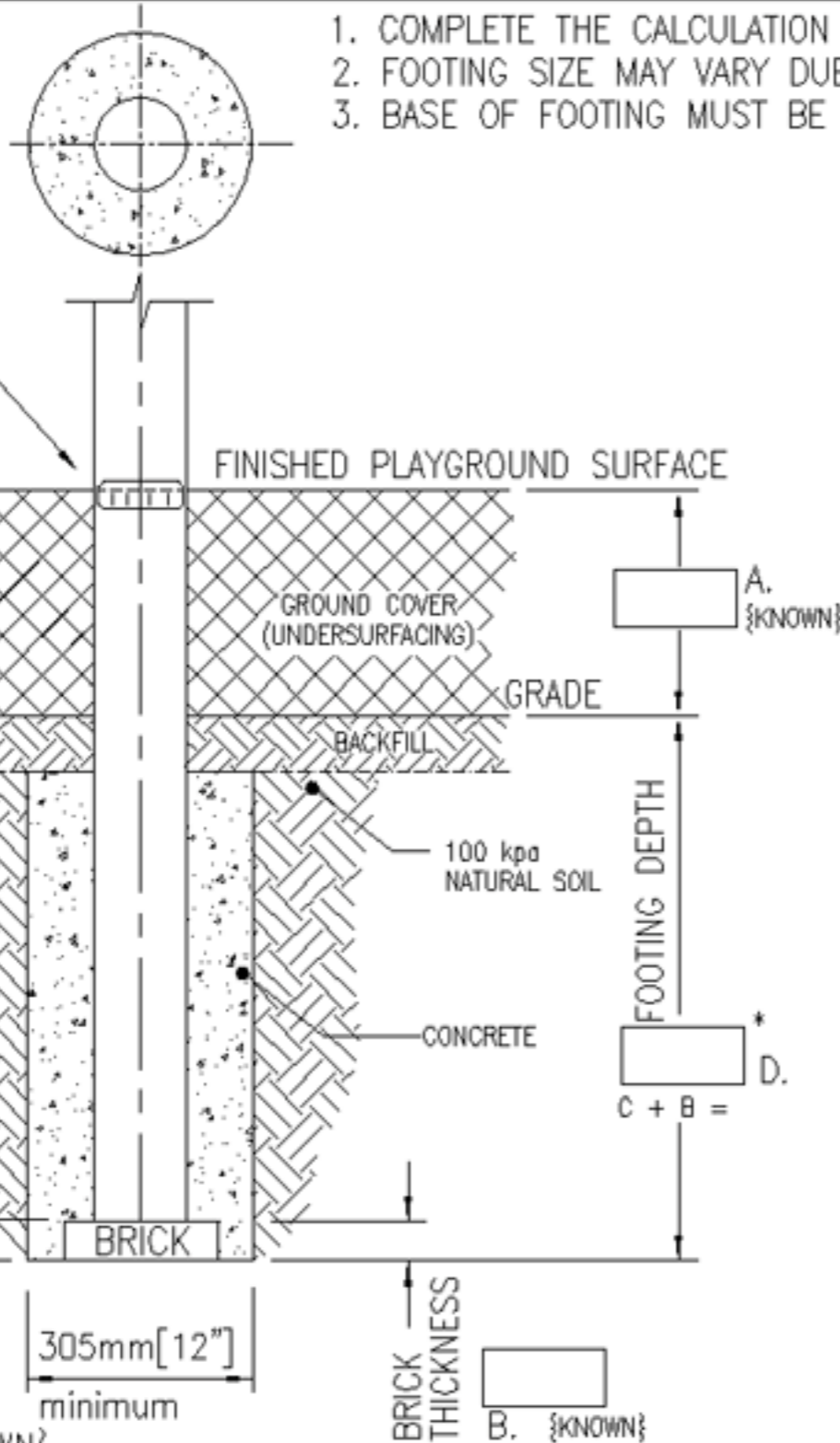
# INGROUND FOOTINGS

200064308  
PB000006B

AUTHORIZED BY: 28JULY10  
*Chris M. Henderson*

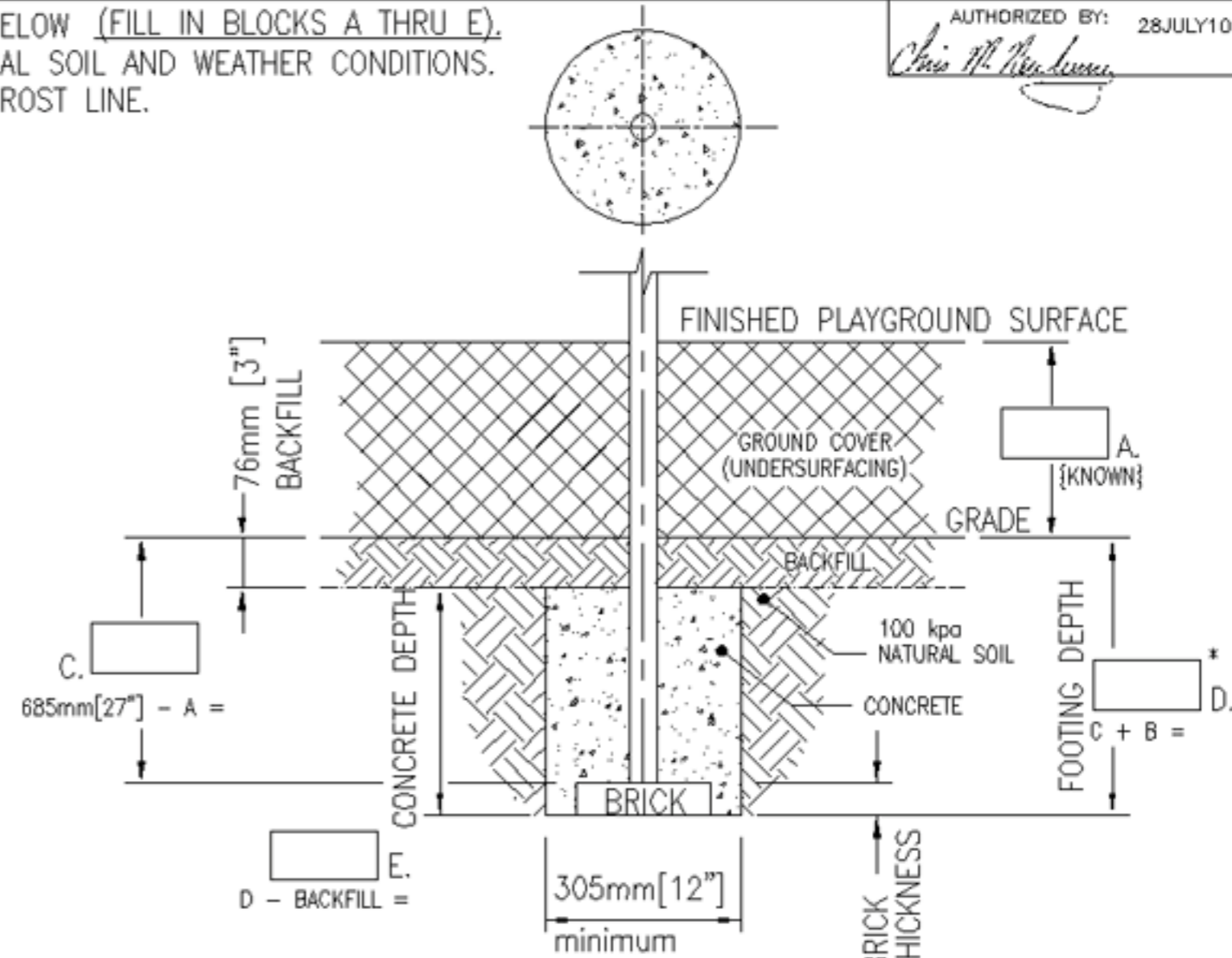
1. COMPLETE THE CALCULATION SHEET BELOW (FILL IN BLOCKS A THRU E).
2. FOOTING SIZE MAY VARY DUE TO LOCAL SOIL AND WEATHER CONDITIONS.
3. BASE OF FOOTING MUST BE BELOW FROST LINE.

SEE PB000009  
FOR STICKER APPLICATION



- A. GROUND COVER DEPTH {KNOWN}.
- B. BRICK THICKNESS {KNOWN}.
- C. 990mm[39"] - A BECAUSE A + C SHOULD ALWAYS EQUAL 990mm[39"]
- D. FOOTING DEPTH = [C] + BRICK THICKNESS.
- \*MINIMUM 610mm[24"] + BRICK THICKNESS FOOTING DEPTH REQUIRED
- E. CONCRETE DEPTH = FOOTING DEPTH [D] - 76mm[3"] (BACKFILL).

## PB POST FOOTING - INGROUND



- A. GROUND COVER DEPTH {KNOWN}.
- B. BRICK THICKNESS {KNOWN}.
- C. 685mm[27"] - A  
BECAUSE A + C SHOULD ALWAYS EQUAL 685mm[27"]
- D. FOOTING DEPTH = [C] + BRICK THICKNESS.
- \*MINIMUM 305mm[12"] + BRICK THICKNESS FOOTING DEPTH REQUIRED
- E. CONCRETE DEPTH = FOOTING DEPTH [D] - 76mm[3"] (BACKFILL).

## PB PLAYEVENT FOOTING - INGROUND

### HOW MUCH CONCRETE?

#### VOLUME OF CONCRETE REQUIRED FOR FOOTINGS:

$$= 0.067 \text{ M}^3 \times \left\{ \frac{\text{CONCRETE DEPTH (mm)}}{915} \right\} \times \text{No. OF FOOTING HOLES} = \text{M}^3$$

$$= 0.087 \text{ Yard}^3 \times \left\{ \frac{\text{CONCRETE DEPTH (IN)}}{36} \right\} \times \text{No. OF FOOTING HOLES} = \text{Yard}^3$$

NOTES: - TO CALCULATE CUBIC FEET, MULTIPLY CUBIC YARD BY 27  
- 94 lbs OF CONCRETE = 1 CUBIC FOOT.

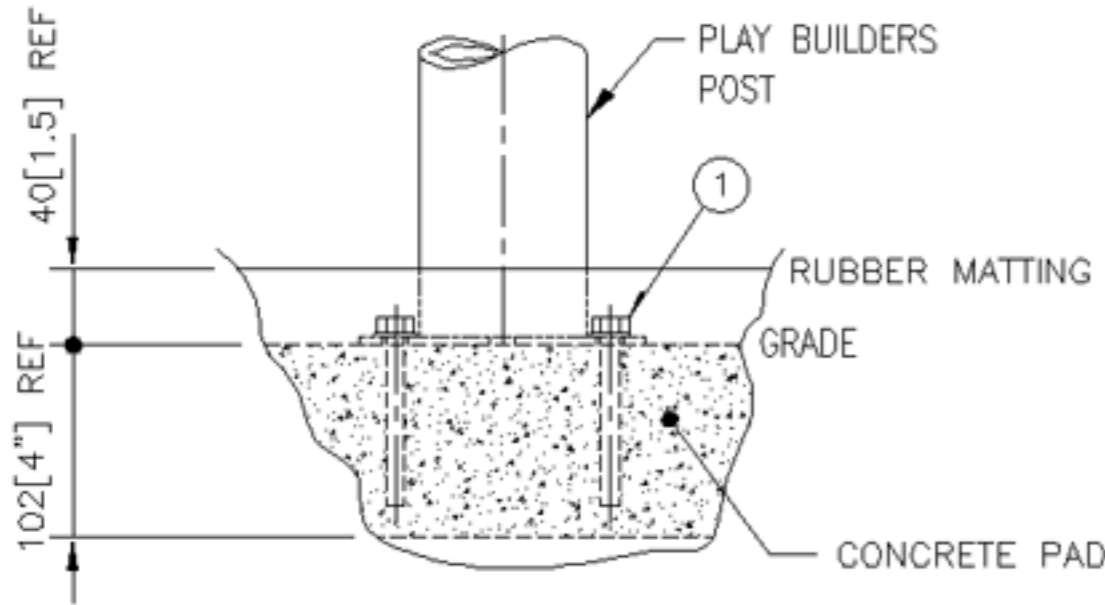


200073958

# SURFACE MOUNT FOOTINGS

## POST FOOTING

A 3/8" MASONRY BIT IS REQUIRED FOR INSTALLING ANCHOR BOLTS.



**SURFACE MOUNT**

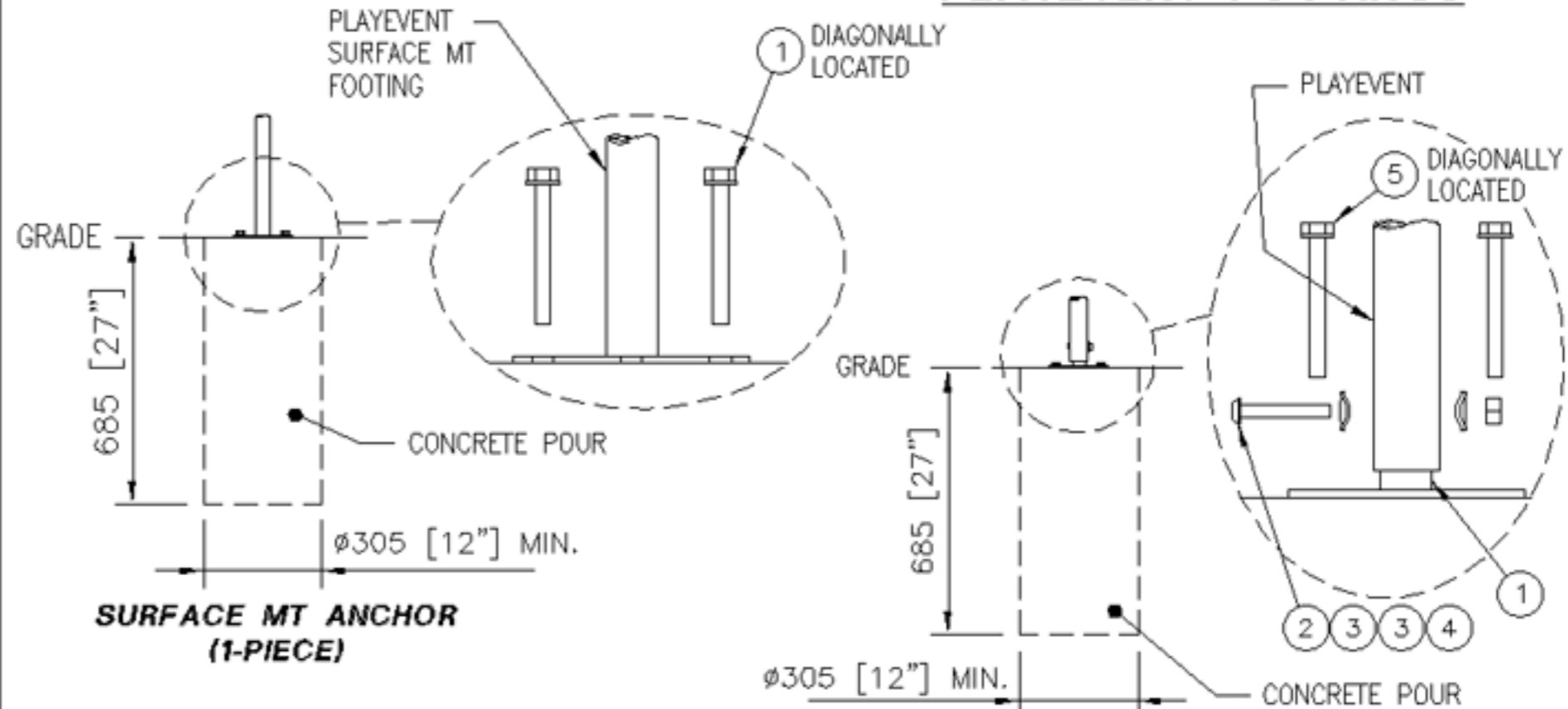
### POST FOOTINGS PARTS LISTS SURFACE MOUNT ANCHOR

Item	Drg Ref	Description	Qty.*
1	200001776	ANCHOR CONCRETE WEDGE M10 X 1.50 X 100MM	16

\*Quantities are for a set of four posts (one square deck).

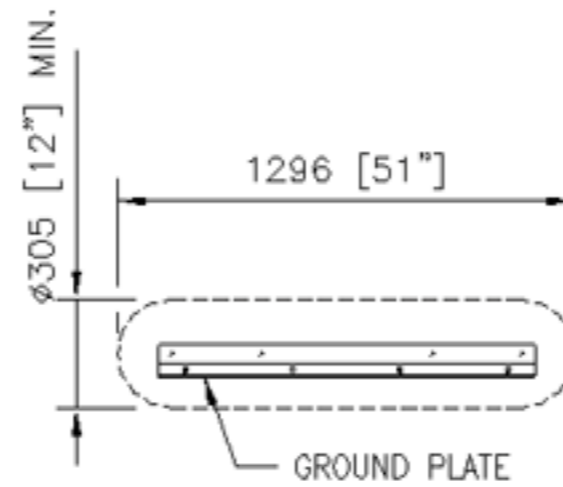
CONCRETE MAY REQUIRE UP TO THREE DAYS TO CURE.

## PLAYEVENT FOOTINGS

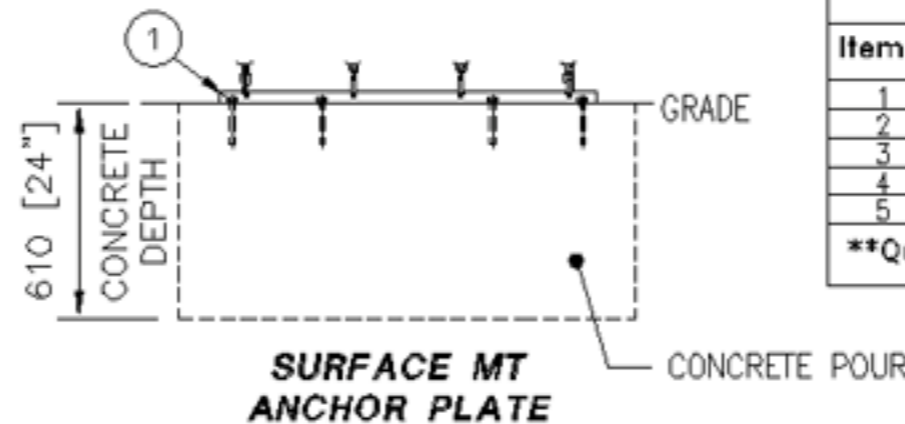


**SURFACE MT ANCHOR (1-PIECE)**

**SURFACE MT ANCHOR (2-PIECE)**



**GROUND PLATE**



**SURFACE MT ANCHOR PLATE**

### PLAYEVENT FOOTINGS PARTS LISTS

#### SURFACE MOUNT ANCHOR (1-PIECE)

Item	Drg Ref	Description	Qty.**
1	200001776	ANCHOR CONCRETE WEDGE M10 X 1.50 X 100MM	2

#### SURFACE MOUNT ANCHOR (2-PIECE)

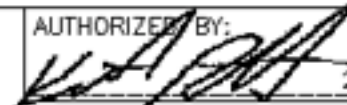
Item	Drg Ref	Description	Qty.**
1	-	TUBE ANCHOR	1
2	200002150	SCREW MACH BUTTONHEAD M10 X 1.5 X 55 MM	1
3	200008483	WASHER BOWED M11 23.5 X 11.7 X 1.57 MM	2
4	200001945	NUT LOCK HEX NYLON INSERTED M10 X 1.5	1
5	200001776	ANCHOR CONCRETE WEDGE M10 X 1.50 X 100MM	2

\*\*Quantities are for one footing.



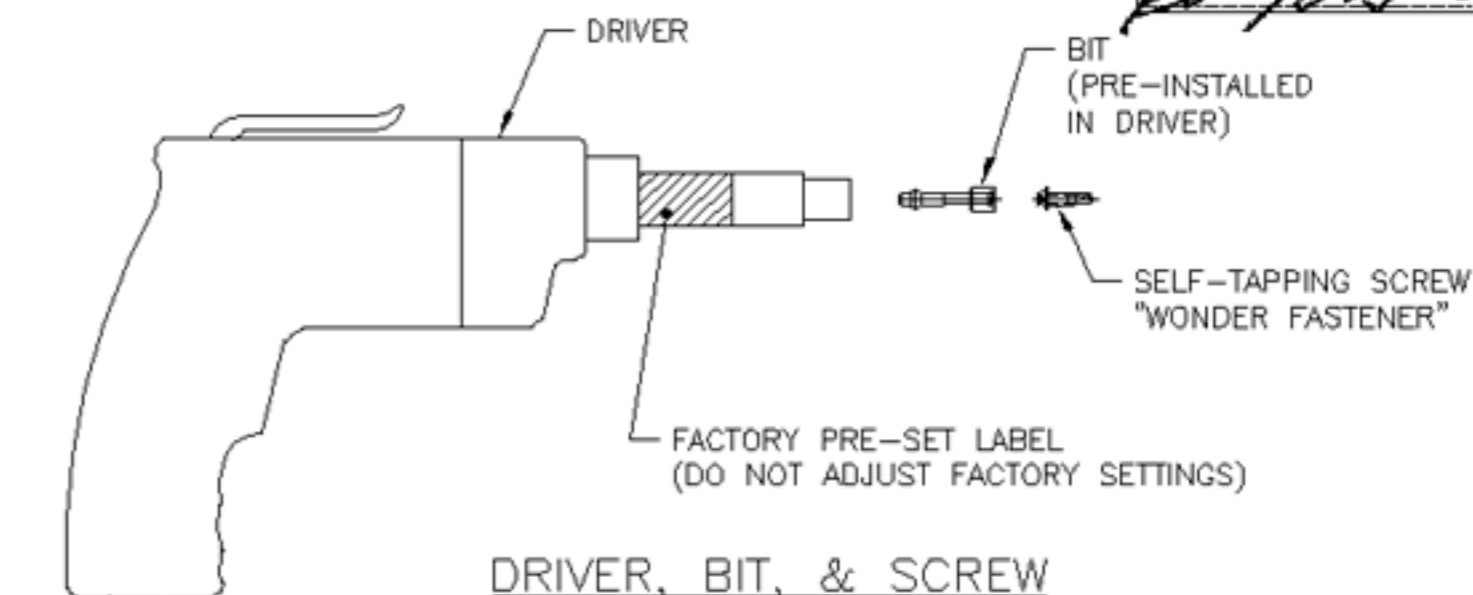
# GENERAL INFORMATION

200073957  
PB000009C

AUTHORIZED BY:  21JUL04

## IMPORTANT:

All Little Tikes Commercial Play Systems play events have been designed and engineered to meet all safety guidelines, but if installed improperly, problems may occur: such as protruding hardware, entrapment gaps between 76mm[3"] to 254mm[10"], or string entanglements. Make certain the runout heights on all slides match what is recommended on the instruction page for that model number. Any accessible bolt ends that protrude beyond the face of the nut more than two threads should be trimmed off and peened by the installer. Once your installation is complete, always inspect your work and the manufacturer's assembly instructions. Material Safety Data Sheets (MSDS) are available upon request. Call Customer Service at 1(800) 325-8828 for copies.



THIS INSTALLATION EQUIPMENT HAS BEEN PROVIDED TO ASSURE THE PROPER INSTALLATION OF PLAY BUILDER COMPONENTS. DO NOT USE ANY OTHER DRILL FOR INSTALLING THE "WONDER FASTENER". THE FASTENER MAY BE OVER TORQUED AND FAILURE MAY OCCUR.

**LABELS:** Safety Labels have been provided by Little Tikes Commercial Play Systems Inc. for the purpose of informing the user of the potential safety risk involved if a fall onto a hard surface occurs. It is important when installing your playground equipment to display this label in a prominent location on each structure.

The label should be placed such that it will:

- 1) be readily visible to the intended viewer.
- 2) alert the viewer to the potential hazard in time to take appropriate action.

Surfacing labels have been provided to assist with the of your ground cover. After installing your ground cover, these labels should be placed on the posts by the installer. Attach a label to a post so that the line is level with ground cover as erosion or compaction of the surfacing occurs, the line will be visible. This will indicate that it is time to add material to your surfacing. If the surfacing is worn away, greatly reduces its effectiveness.

**WARNING**

INSTALLATION OVER A HARD SURFACE SUCH AS CONCRETE, ASPHALT, OR PACKED EARTH MAY RESULT IN SERIOUS INJURY OR DEATH FROM FALLS.

L'INSTALLATION SUR SURFACE DURE TELLE QUE DU CIMENT, DE L'ASPHALTE OU DE LA TERRE BATTUE PEUT CAUSER DE SÉRIEUSES BLESSURES OU MEME LA MORT EN CAS DE CHUTE.

INSTALACION SOBRE UNA SUPERFICIE DURA, TAL COMO CONCRETO, ASFALTO O TERRENO COMPACTADO, PUEDE PROVOCAR QUE UNA CAIDA CAUSE LESIONES SERIAS O INCLUSO LA MUERTE.

Little Tikes Commercial Play Systems Inc.  
P.O. Box 897  
Farmingdale, MD 43640

For more information, call Little Tikes Commercial Play Systems Inc.  
at 1-800-450-2757 or 1-573-756-4991

↑ TOP OF SURFACE ↑ HASTA A QUI ↑ NIVEAU ZERO ↑

INSTALL AND MAINTAIN TOP OF RECOMMENDED SURFACING TO THIS MARK

COLOQUE Y MANTENGA HASTA LA MARCA LA SUPERFICIE RECOMENDADA

POUR L'INSTALLATION ET LA MAINTENANCE LA SURFACE AMORISSANTE DOIT ATTEINDRE CE NIVEAU

## SPECIFICATIONS FOR STANDARD INSTALLATION PARTS

### FASTENERS

FINISH: STAINLESS STEEL (METRIC)

### GASKETS

MATERIAL: J-VON HERCUPRENE ENGINEERED ELASTOMER 6194B-88A900

COLOR: BLACK

FINISH: NONE

### PANEL & RAIL TABS

MATERIAL: 7 GA. PRE-GALVANIZED SHEET STEEL

COLOR: AS SELECTED FROM STANDARD COLOR RANGE

FINISH: POLYESTER POWDER COAT

### KID VILLAGE BRACKET

MATERIAL: 7 GA. HR SHEET STEEL

COLOR: BROWN

FINISH: POLY VINYL CHLORIDE

### BRACKET BENT F/KK VILLAGE PANELS

MATERIAL: 11 GA. HR SHEET STEEL, ZINC PLATED

COLOR: AS SELECTED FROM STANDARD COLOR RANGE

FINISH: POLYESTER POWDER COAT

### SURFACE MT POST PLATE

MATERIAL: 7 GA. PRE-GALVANIZED SHEET STEEL

COLOR: AS SELECTED FROM STANDARD COLOR RANGE

FINISH: POLYESTER POWDER COAT

### SURFACE MT BRACKETS

MATERIAL: 7 GA. PRE-GALVANIZED SHEET STEEL

COLOR: BROWN

FINISH: POLYESTER POWDER COAT

### INGROUND BRACKETS

MATERIAL: 11 GA. PRE-GALVANIZED SHEET STEEL AND #73 [2-7/8"] 5 GA. PRE-GALVANIZED STEEL TUBING

COLOR: BROWN

FINISH: POLYESTER POWDER COAT

### TUBE ANCHORS

MATERIAL: 7 GA. PRE-GALVANIZED SHEET STEEL AND #33.4 [1-5/16"] 14 GA. PRE-GALVANIZED STEEL TUBING

COLOR: AS SELECTED FROM STANDARD COLOR RANGE

FINISH: POLYESTER POWDER COAT



# TYPICAL ATTACHMENTS

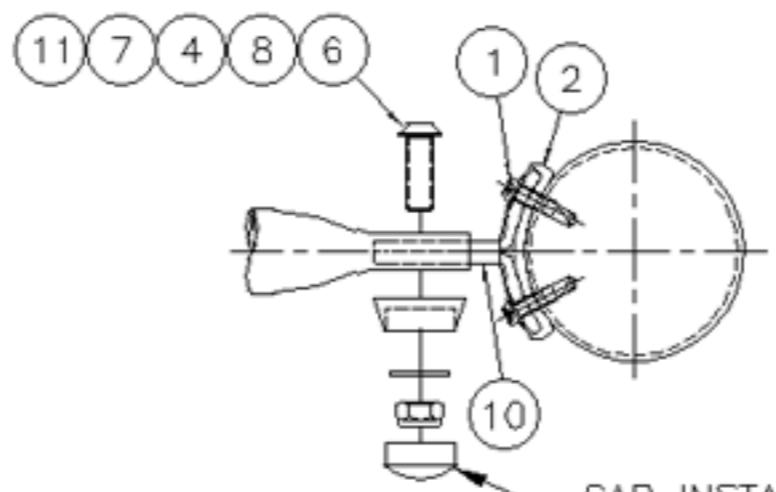
200073959  
PB000010B  
Sheet 1 of 1

AUTHORIZED BY: *[Signature]* 21JUL04

## POST FOOTINGS PARTS LISTS

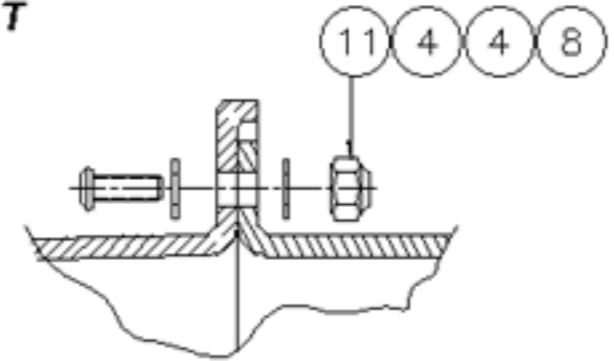
### TYPICAL ATTACHMENTS

Item	Drg Ref	Description
1	300002750	SCREW T-27 TORX ROUND WASHER HD
2	200058372	GASKET F/PB TABS (SMALL)
3	200058373	GASKET F/PB PLATE (LARGE)
4	200002079	WASHER FLAT M11 23 X 12 X 1.6
5	200002096	WASHER FLAT M10 340D X 11ID X 3 MM THK
6	-	CAP HDWR COVER
7	-	CAP HDWR BASE
8	200001945	NUT LOCK HEX NYLON INSERTED M10 X 1.5
9	-	TAB PANEL F/PB
10	-	TAB RAIL 33.4 F/PB
11	200002018	SCREW MACH BUTTONHEAD M10 X 1.50 X 25MM
12	200002145	BOLT MB X 1.25 FEMALE 10.3 X 30 MM
13	200002138	BOLT MB X 1.25 MALE 42.5 MM
14	200002133	BOLT MB X 1.25 MALE 27.5 MM
15	200065377	BRACKET F/PB VILLAGE PANELS (TDV)
16	-	BRACKET BENT F/KK VILLAGE PANELS
17	200073027	WASHER RUBBER 9 ID X 16 OD X 2.4
18	200073028	WASHER SEALING 8.4 ID X 19 OD X 2.8
19	200001830	CAP SCREW HEX HEAD M8 X 1.25 X 90MM

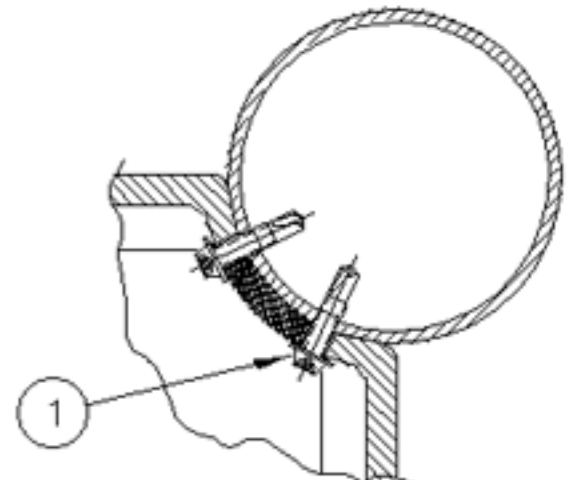


LOOP/RAIL TO POST

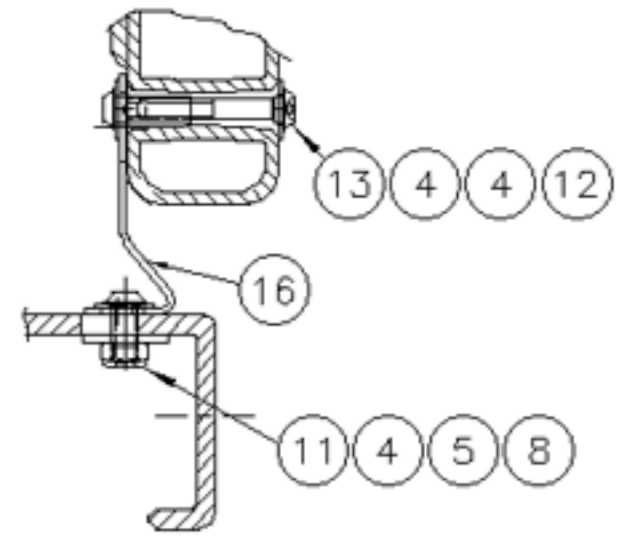
CAP INSTALLED  
OUTSIDE DECK



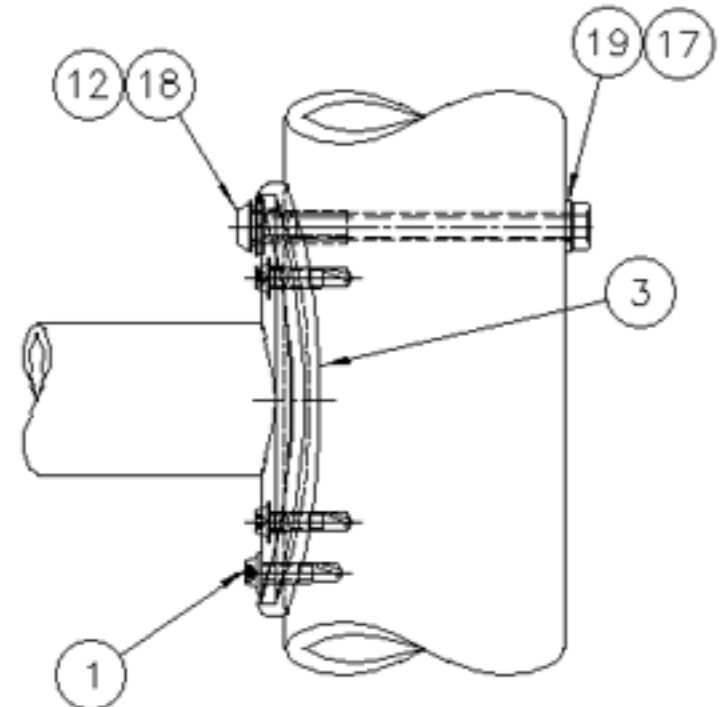
TUNNEL TO TUNNEL



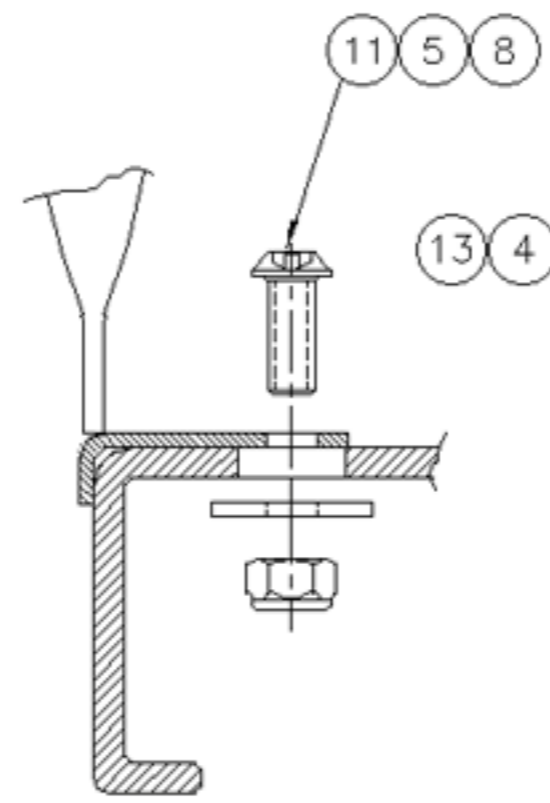
DECK TO POST



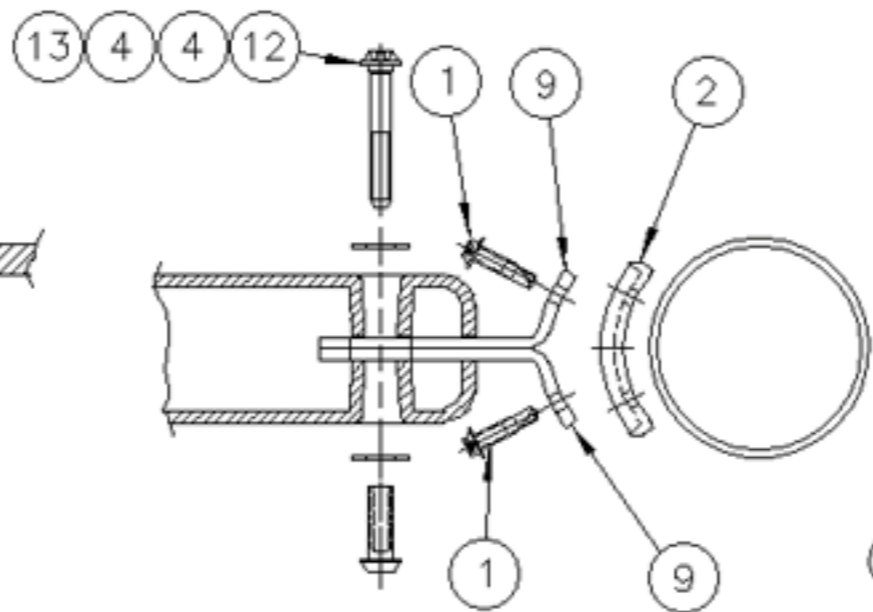
PANEL TO DECK



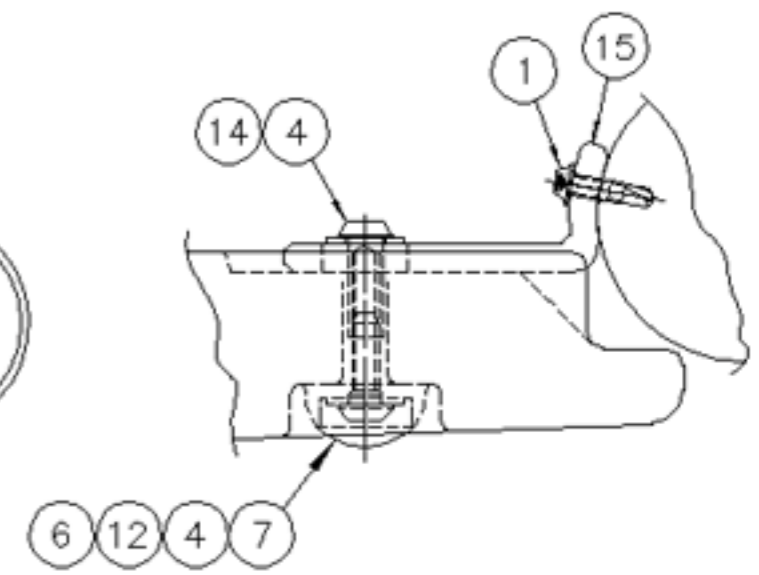
OVERHEAD TO POST



LOOP TO DECK



PANEL TO POST



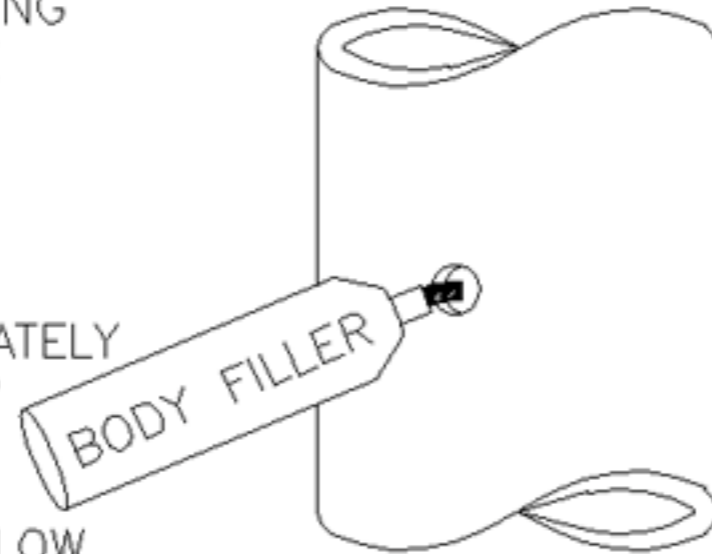
VILLAGE PANEL TO POST

**STEP 1**

FLATTEN THE RING AROUND THE HOLE (LEFT BY THE THREADING PROCESS) WITH A MODERATE BLOW BY A HAMMER

**STEP 2**

PENETRATE HOLE WITH BODY FILLER, LEAVING AN APPROXIMATELY 13mm [1/2"] DIAMETER BUMP OF FILLER, PROTRUDING 3mm [1/8"] BEYOND OUTSIDE SURFACE OF THE POST TO ALLOW FOR SHRINKAGE OF FILLER MATERIAL



**STEP 3**

LET FILLER DRY FOR 24 HOURS

**STEP 4**

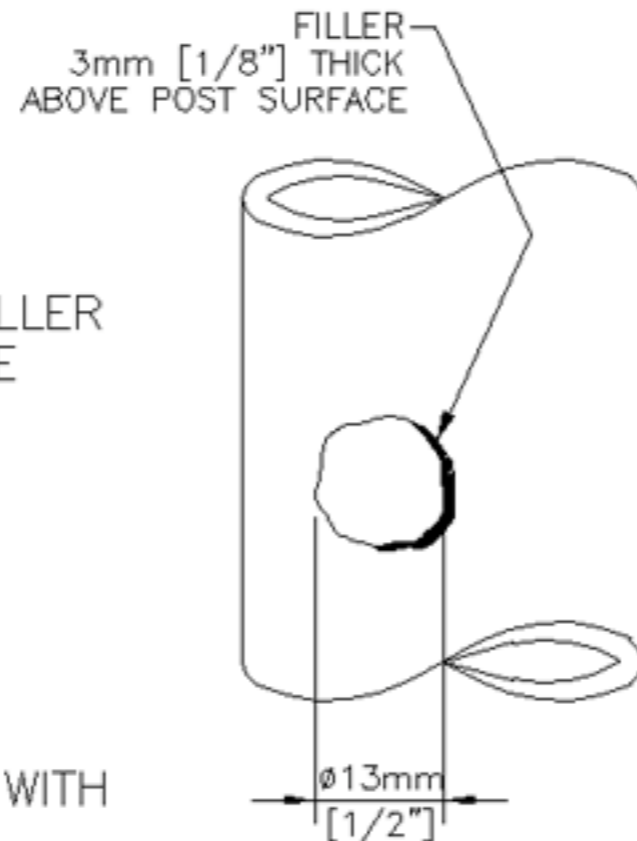
AFTER DRIED, REMOVE EXCESS FILLER WITH COARSE SANDPAPER OR FILE

**STEP 5**

FINISH SANDING WITH FINER GRIT SANDPAPER

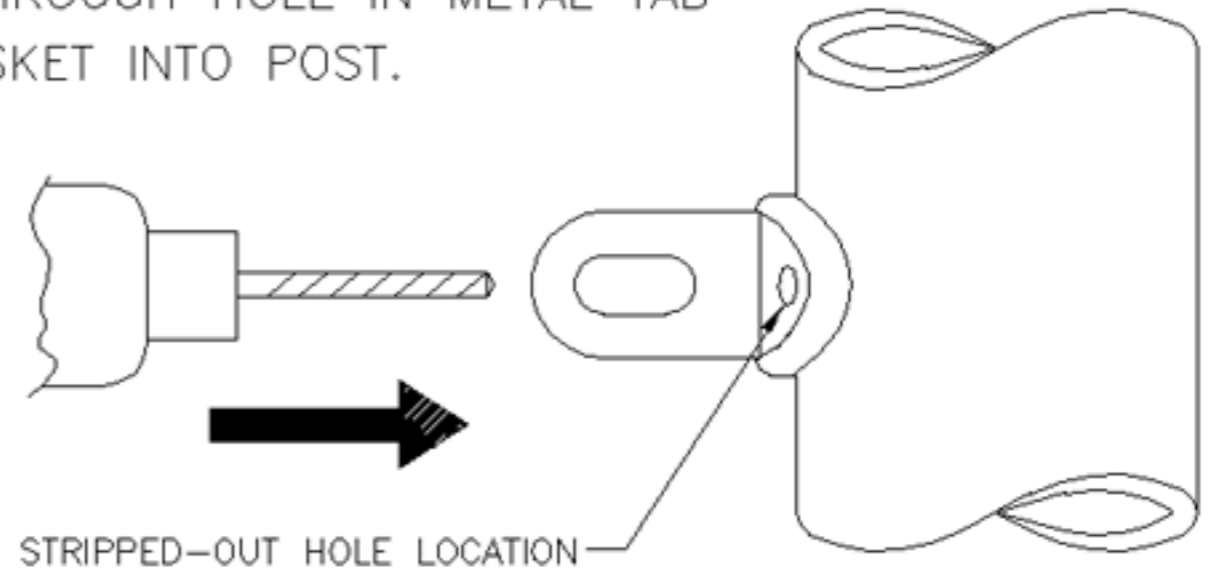
**STEP 6**

PAINTE FILLED AND SANDED AREA WITH TOUCH-UP PAINT



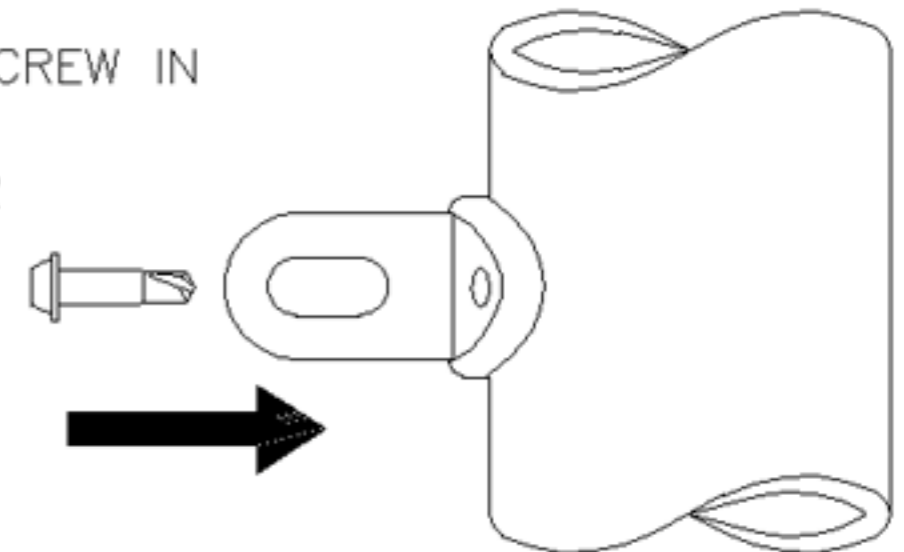
**STEP 1**

USE 5.5mm [7/32"] DRILL BIT TO DRILL THROUGH HOLE IN METAL TAB AND GASKET INTO POST.



**STEP 2**

INSTALL OVERSIZE SCREW IN DRILLED-OUT HOLE WITH DEWALT DRIVER



200074043 - TUBE/ BODY FILLER

200074042 - OVERSIZE SCREW TYPE A

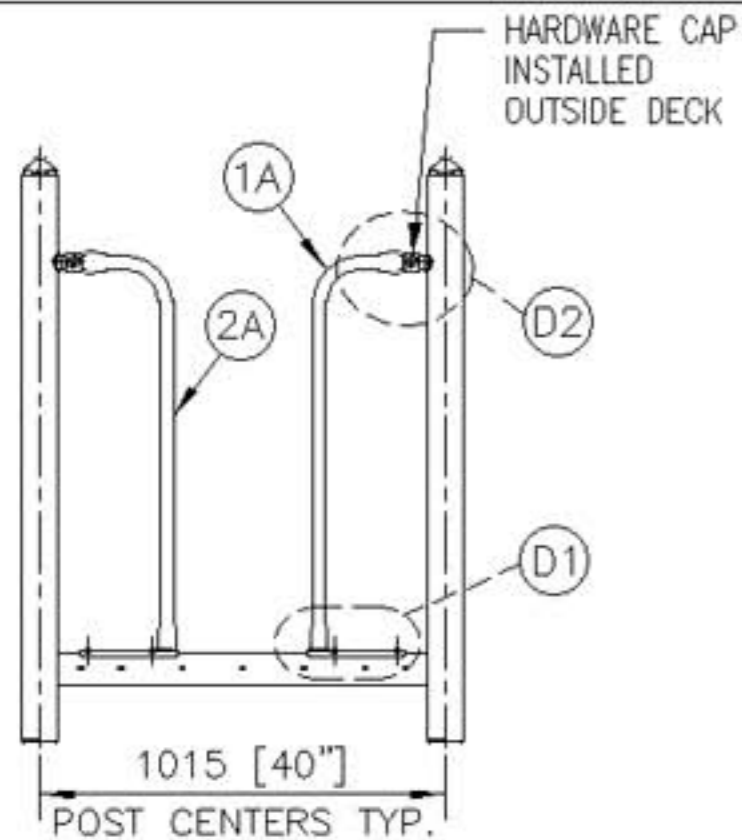
**HOLE DRILLED AT WRONG LOCATION**

**HOLE STRIPPED OUT**

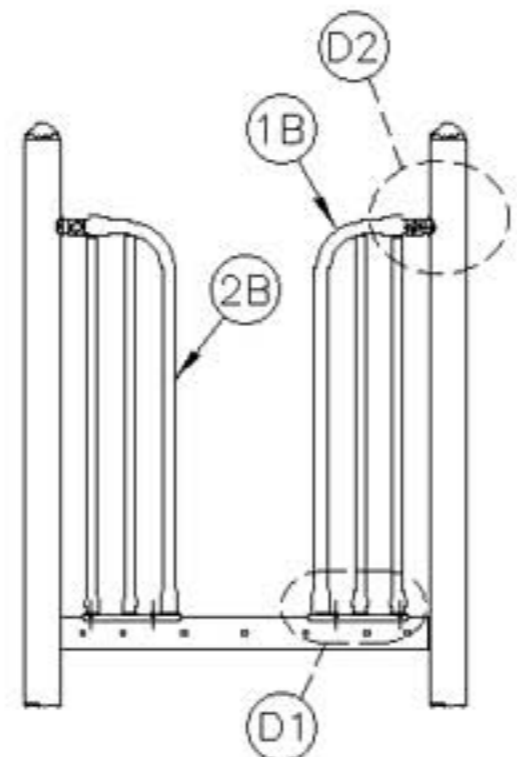


# STEEL LOOPS

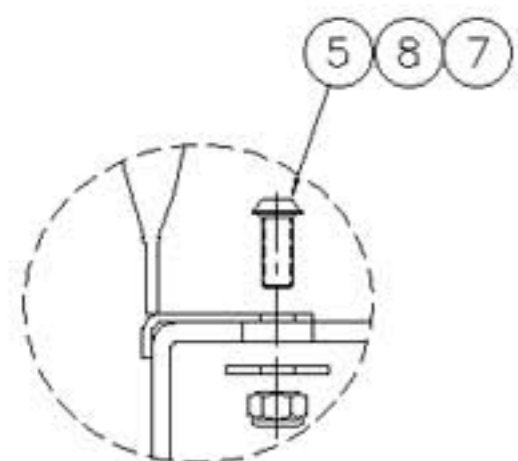
AUTHORIZED BY:  
*Shawn Shickard* 31AUG07



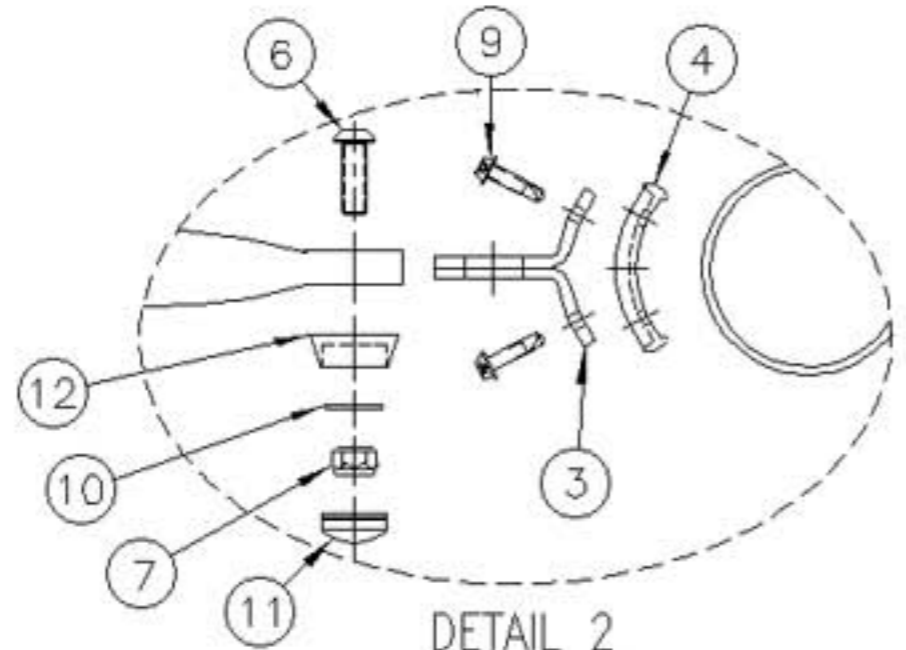
HANDHOLD LOOP



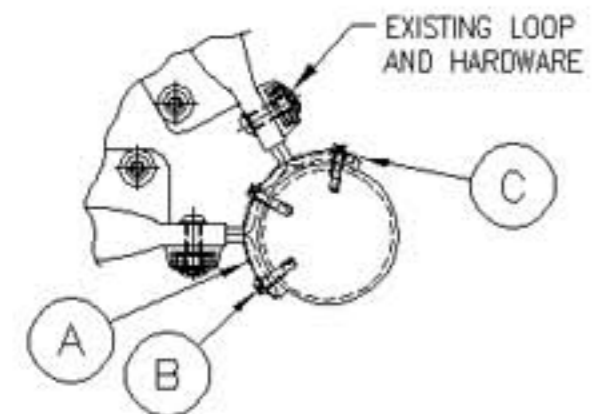
SAFETY LOOP



DETAIL 1  
TYP 4 PL



DETAIL 2  
TYP 2 PL



(NOTE: FOR UNDERSURFACING & FOOTINGS REFER TO SEPARATE INSTRUCTIONS)

**PB LOOP HANDHOLD 200058176**

Item	Code	Description	Qty.
1A	-	LOOP HANDHOLD RIGHT F/PB	1
2A	-	LOOP HANDHOLD LEFT F/PB	1
3	-	TAB RAIL 33.4	4
11	-	CAP HDWR COVER	2
12	-	CAP HDWR BASE	2

**HDWR BAG F/PB LOOPS 200053777**

4	200058372	GASKET F/PB TABS (SMALL)	2
5	200002018	SCREW MACH BUTTONHEAD M10 X 1.50 X 25mm	4
6	200002030	SCREW MACH BUTTONHEAD M10 X 1.50 X 30mm	2
7	200001945	NUT LOCK HEX NYLON INSERTED M10 X 1.5	6
8	200002096	WASHER FLAT M10 3400 X 111D X 3mm THK	4
9	300002750	SCREW T-27 TORX ROUND WASHER HD	4
10	200002079	WASHER FLAT M11 23 X 12 X 1.6mm	2

**PB SAFETY LOOP 200058177**

Item	Code	Description	Qty.
1B	-	LOOP SAFETY RIGHT F/PB	1
2B	-	LOOP SAFETY LEFT F/PB	1
3	-	TAB RAIL 33.4	4
11	-	CAP HDWR COVER	2
12	-	CAP HDWR BASE	2

**HDWR BAG F/PB LOOPS 200053777**

4	200058372	GASKET F/PB TABS (SMALL)	2
5	200002018	SCREW MACH BUTTONHEAD M10 X 1.50 X 25mm	4
6	200002030	SCREW MACH BUTTONHEAD M10 X 1.50 X 30mm	2
7	200001945	NUT LOCK HEX NYLON INSERTED M10 X 1.5	6
8	200002096	WASHER FLAT M10 3400 X 111D X 3mm THK	4
9	300002750	SCREW T-27 TORX ROUND WASHER HD	4
10	200002079	WASHER FLAT M11 23 X 12 X 1.6mm	2

**BRACKET F/PB TRI-DECK LOOP 200085631**

Item	Code	Description	Qty.
A	-	ASSY BRACKETS F/PB TRI-DECK LOOPS	1

**HDWR BAG F/PB TRI-DECK BRACKET 200085632**

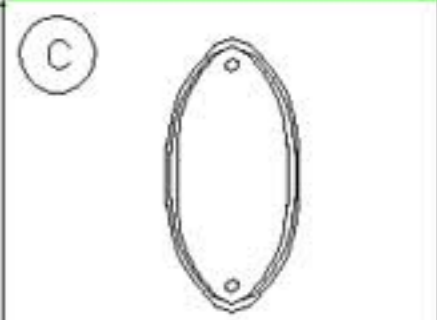
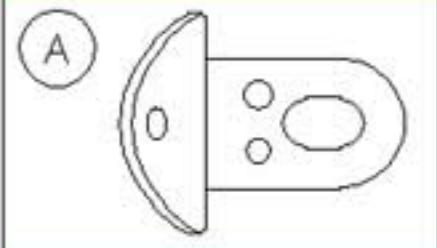
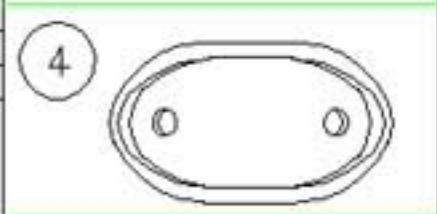
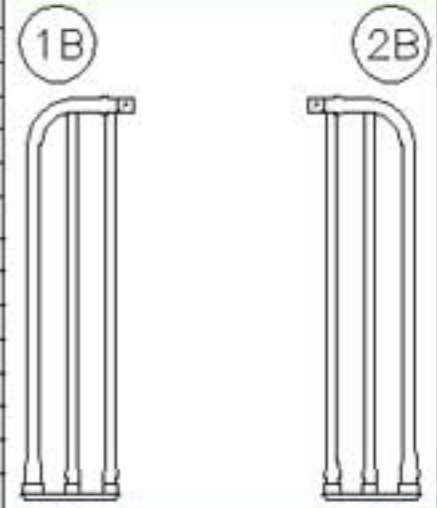
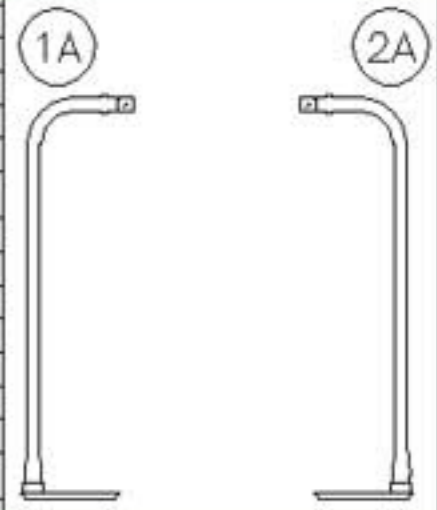
B	300002750	SCREW T-27 TORX ROUND WASHER HD	3
C	200058373	GASKET F/PB PLATE (LARGE)	1

**Application**

- Use handhold loops when deck height is equal to or less than 762mm[30"] for 2-5 age groups.
- Use handhold loops when deck height is equal to or less than 1220mm[48"] for 5-12 age groups.
- Suggested for use on all wheelchair accessible decks.

**Installation Instructions**

1. loosely attach rail tabs to the loops as shown in detail
2. Do not push cap covers in place yet.
3. Attach loop to the deck top. See detail 1.
4. Using the drill provided, fasten the rail tabs to the post, as shown in detail 2.
5. Tighten all hardware and secure cap covers.
6. Add resilient ground cover.





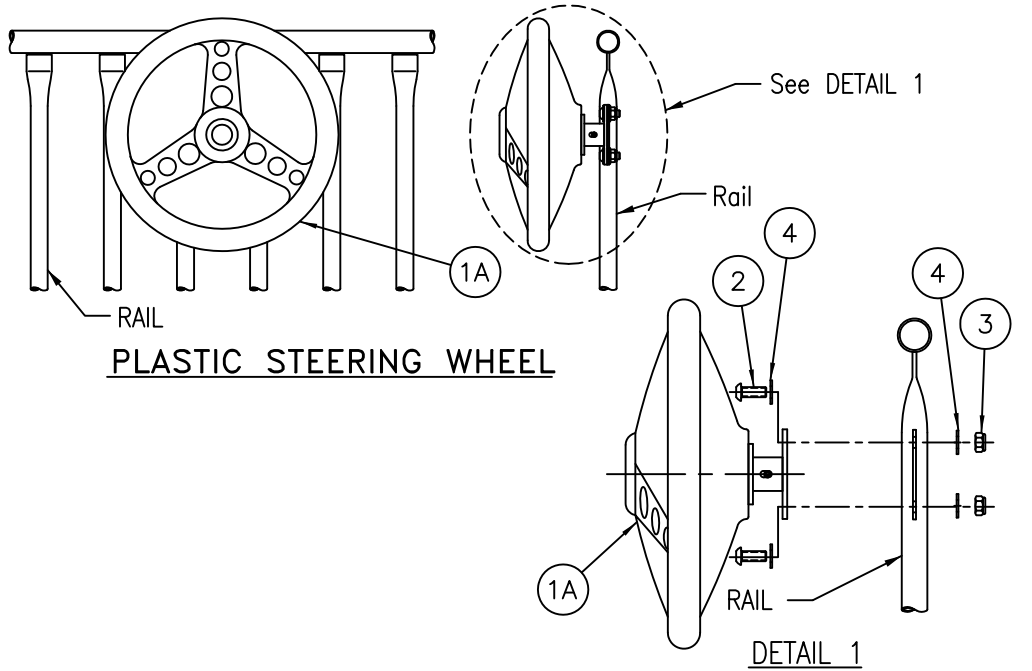
commercial play systems

# STEERING WHEEL (RAIL MOUNT)

I900056G  
SHEET 1 OF 1

AUTHORIZED BY: 28NOV18

Teena Merritt



ASSY RAIL MT.PLAS.STEER.WHL  
ASSY RAIL MT.ALUM.STEER.WHL. RED

Item	Code	Description	Qty.
1A	925053*	ASSY RAIL MT.PLAS.STEER.WHL	1
1B	911836*	ASSY RAIL MT.ALUM.STEER.WHL. RED	1

Note: A part number (Code) with an (\*) indicates: Color Code Required.

HWDR BAG F/RAIL MT.STEERING WHEELS  
200145771

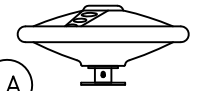
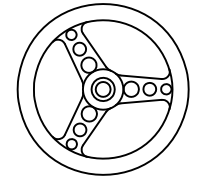
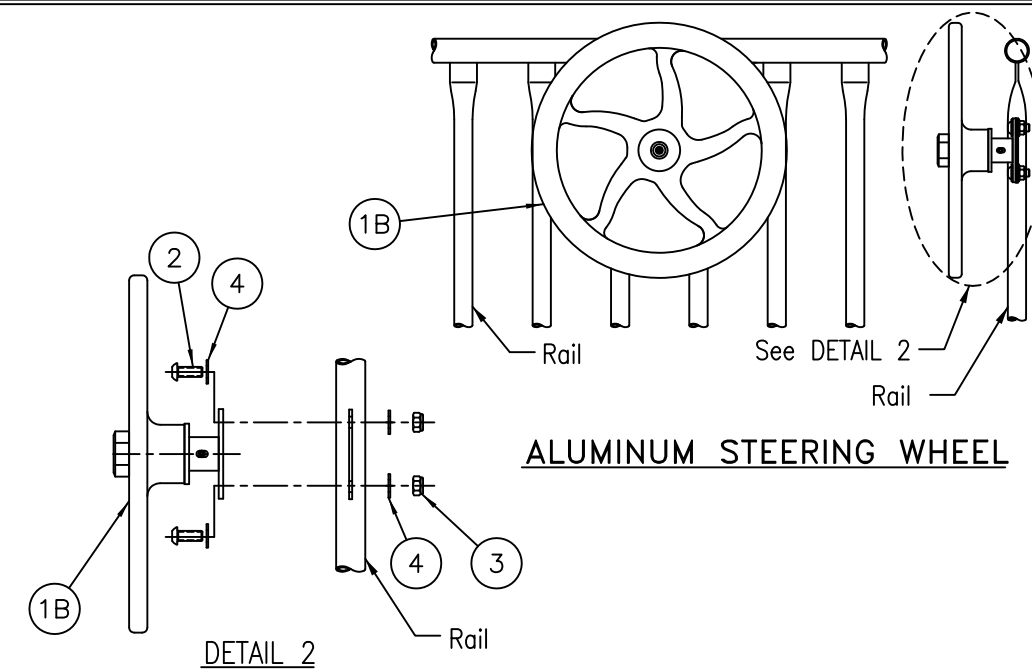
Item	Code	Description	Qty.
2	200002018	SCREW MACH BUTTONHEAD M10 X 1.50 X 25MM	2
3	200001945	NUT LOCK HEX NYLON INSERTED M10 X 1.5	2
4	200002079	WASHER FLAT M11 23 X 12 X 1.6	4

### Application

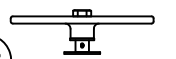
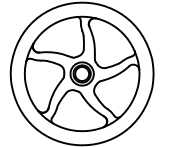
- For use with all above deck safety rails and Kid Builders mesh panels.

### Installation Instructions

1. To install the steering wheel to a safety rail, attach the Assy. Rail Mount F/Steering Wheel (item 1A or 1B) to the rail (as shown in DETAILS 1 & 2).



1A



1B



Project Number: I0005220213

PlayArea: Additional Items |

Project Name: Town of Labrador City

Project Location:

Sales Representative:

Coastline Specialties Ltd  
46 Robin Hood Bay Road  
St. John's, NL A1A 5V3  
(709) 726-9155

## Installation Instructions

Please, read all information in this manual before starting to install your equipment.

Date: 2022-11-02 12:00:00 AM





commercial play systems

# PRODUCT IDENTIFICATION LABEL

200111440  
10000012C  
SHEET 1 OF 1

## LABEL, IDENTIFICATION STAMPED W/RIVETS 200111492

AUTHORIZED BY: 04MAR13  
*Asplund*

Item	Code	Description	Qty.
1	200126872	PLATE ALUM. CR80 x .016 (I.D. LABEL)	1
2	200126822	RIVET POP ALUM 1/8" X 1/4" PRADA440	4

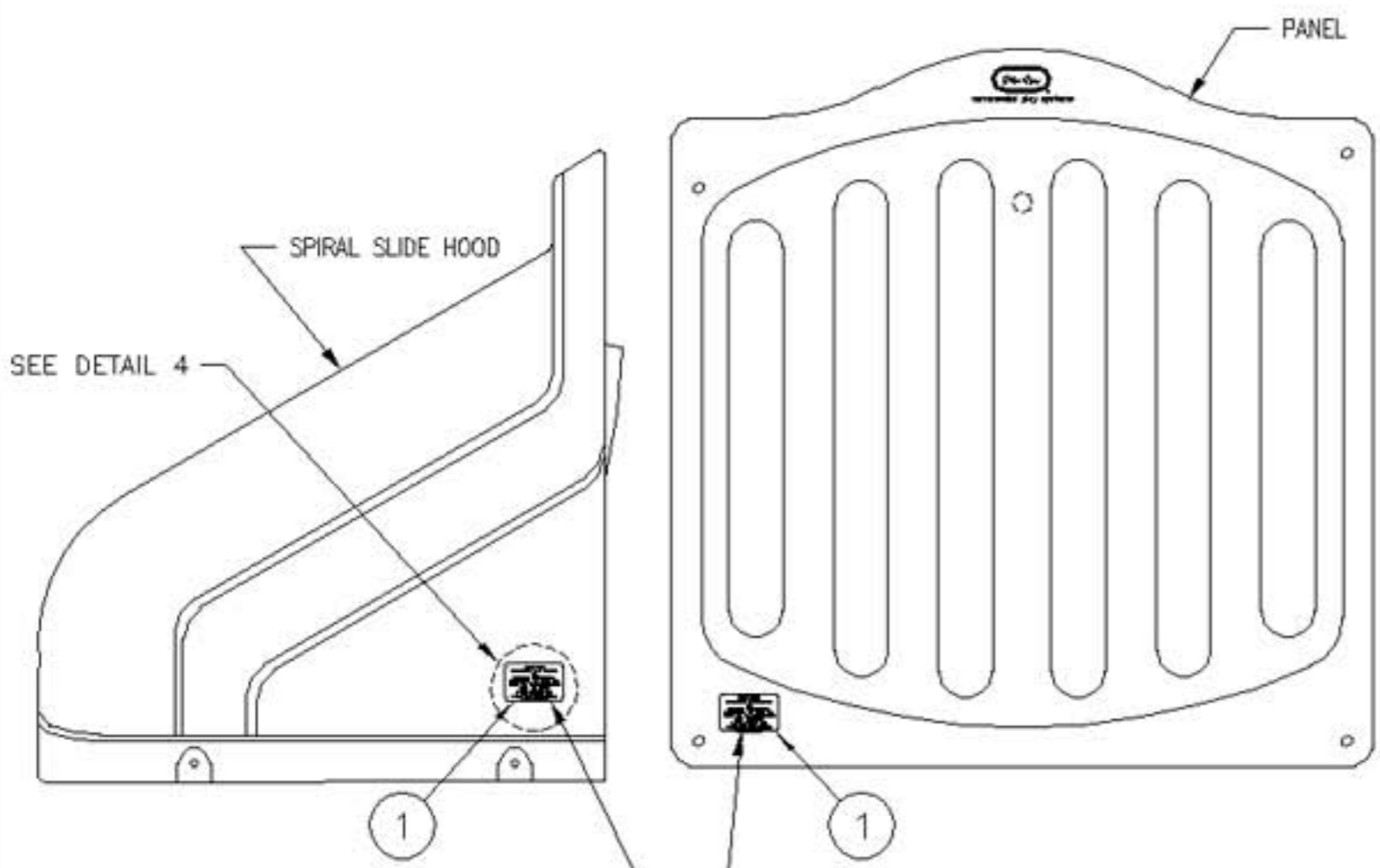
**Application**  
This product identification label is an important part of your structure. It will provide key information for replacement parts and any warranty issues.

**Installation Instructions**

- The product identification label (item 1) needs to be located in a non active area. It is preferred to be placed on the outside of a spiral slide hood as shown in Detail 1. If there is no spiral slide hood, mount the label on the outside of any panel in the location shown in Detail 2. If you have an all steel structure, or a contained play structure, the label should be attached to a post as shown in Detail 3. On all steel structures, mount the label on a post in a location resistant to tampering, while still easy enough to locate and read when necessary. For contained play structures, the label should be attached to a post in the inaccessible area near the maintenance entrance. For small diameter posts, such as in contained play, it may be easier to mount and read the label in a vertical position as shown in Detail 3.

- Using the label as a template, mark and drill 4  $\phi 4\text{mm}$  [ $5/32"$ ] holes.
- Attach the label using 4 pop rivets (item 2) as shown in Detail 4. Note: Insure label is flush with the surface and no gaps exist.

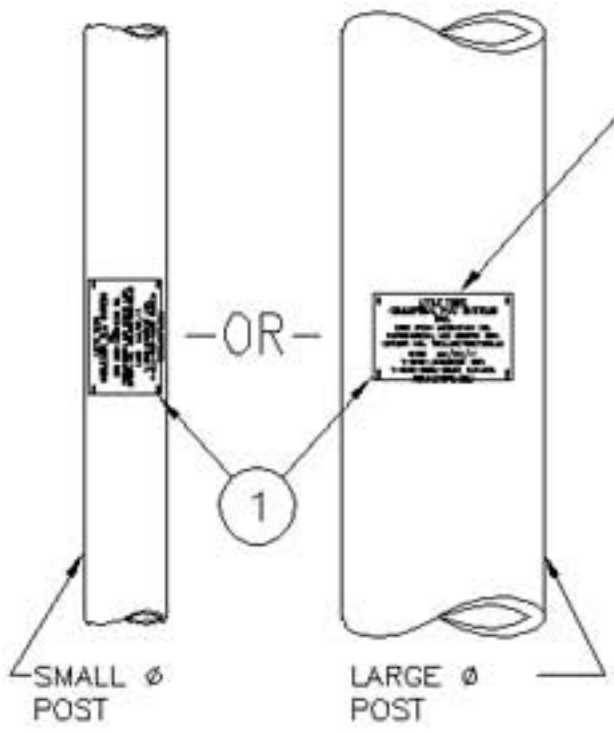
LITTLE TIKES  
COMMERCIAL PLAY SYSTEMS  
INC.  
ONE IRON MOUNTAIN DR.  
FARMINGTON, MO 63640 USA  
ORDER NO. 123456789012345  
DATE MM/DD/YY  
1-800-325-8828 USA  
1-800-265-9953 CANADA  
WWW.LTTIKES.COM



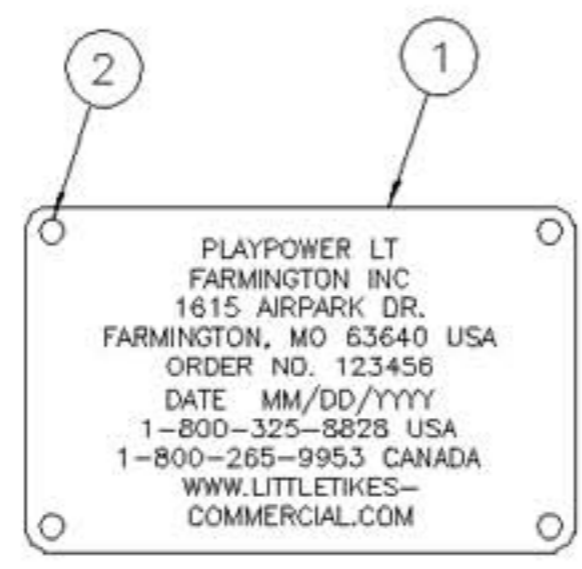
DETAIL  
1

DETAIL  
2

NOTE:  
ATTACH LABEL IN ONE OF THESE LOCATIONS PER STRUCTURE.



DETAIL  
3



DETAIL  
4

1

2



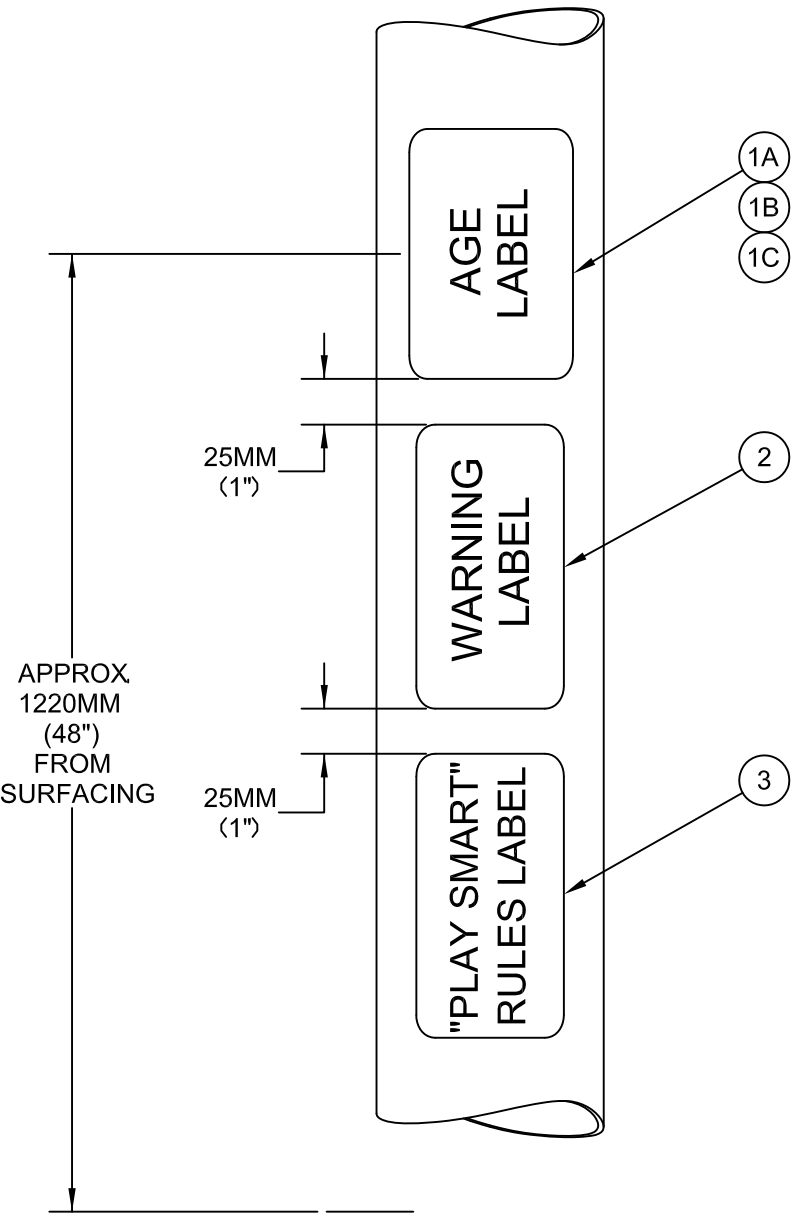


commercial play systems

# AGE APPROPRIATE LABELS

1000005B

Sheet 1 of 1



## AGE APPROPRIATE LABEL (2 TO 5 YRS) 200104304

Item	Code	Description	Qty.
1A	200104304	LABEL AGE APP. (2 TO 5 YRS.)	1
2	116022	LABEL WARNING - PLAYGROUND - ENGLISH	1
3	116099	LABEL, PLAY SMART RULES	1

## AGE APPROPRIATE LABEL (2 TO 12 YRS) 200104305

Item	Code	Description	Qty.
1B	200104305	LABEL AGE APP. (2 TO 12 YRS.)	1

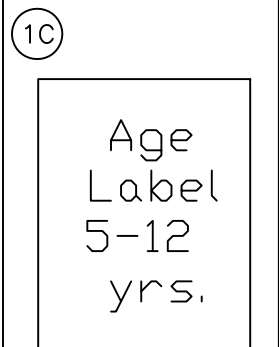
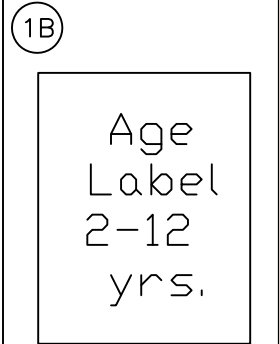
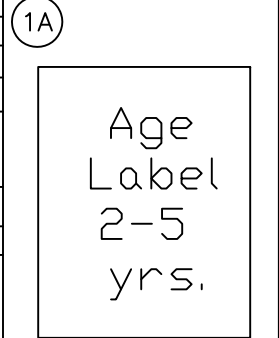
## AGE APPROPRIATE LABEL (5 TO 12 YRS) 200104307

Item	Code	Description	Qty.
1C	200104307	LABEL AGE APP. (5 TO 12 YRS.)	1

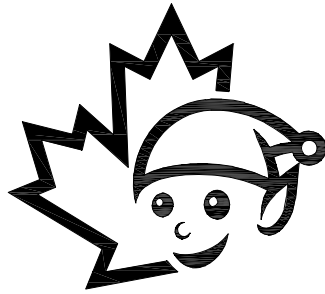
### Installation Instructions

1. Identify locations where labels are to be installed. These locations will be specified on the Playground Layout Drawing.
2. Clean the area of the post where the label is to be applied. The label should be placed approximately 1220mm [48"] above the protective surfacing and should face outward so that it is easily visible to users. If an obstruction is located at the 1220mm [48"] height, raise or lower the label so that it will attach directly to the post.
3. Remove backing from label and carefully apply it making sure it is oriented squarely on the post. Rub label to remove all air bubbles.

AUTHORIZED BY: 03JUL18  
TRACY ARCHER



## APPENDIX 3



**Blue Imp**  
**PLAY STRONG**

Instruction Manual for Installation of:

Age Group:

## IMPORTANT PROTECTIVE SURFACING NOTES

- Numerous studies have shown that the majority of playground injuries are caused by falls.
- All play equipment with a fall height above the finished grade shall be located on a protective surface that extends around it to cover the protective surfacing zone.
- A minimum of 300mm (12") of safety base is recommended when loose materials are used.
- Refer to Annex D of CAN/CSA-Z614-20 for protective surfacing recommendations.
- **DO NOT ALLOW CHILDREN TO PLAY ON THE EQUIPMENT UNTIL THE PROTECTIVE SURFACING HAS BEEN INSTALLED!**

For more information, consult your CAN/CSA-Z614-20 "Children's Playground Equipment & Surfacing", Section 10, or contact your local Blue Imp Representative.

# AGE GROUP & WARNING LABELLING

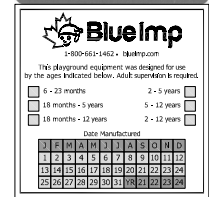
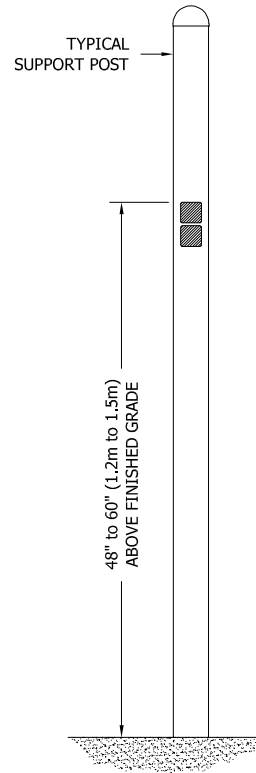
All play equipment and structures must have permanently attached labels for the following:

- Manufacturer's identification and contact number.
- Age groups for which the equipment has been designed.

## ADHESIVE LABEL APPLICATION INSTRUCTIONS:

Labels are contained within a small envelope included with your Instruction Package. Apply the Labels as follows:

- Refer to the Cover Page of each Installation Instruction to determine which Age Group labels are appropriate for that item. (*Note: for Swings containing only "Tot" or "Accessible" Seats, the Age Group will be 2-5. For Swings containing only "Belt" or "Soft Edge" Seats, the Age Group will be 5-12. For Swings containing both seat types, the Age Group will be 2-12.*)
- Age labels will have been marked with appropriate equipment age groups and date of manufacture at factory.
- Choose a location that is easily seen, near the main entrance to the structure, and at eye level where it will be noticed.
- Labels adhere best to painted surfaces - do not apply to plastic or vinyl-coated components.
- Make sure the surface is clean and dry before applying the label.
- Peel away backing sheet and place label in position.
- For larger, composite structures, apply labels in two or more locations.

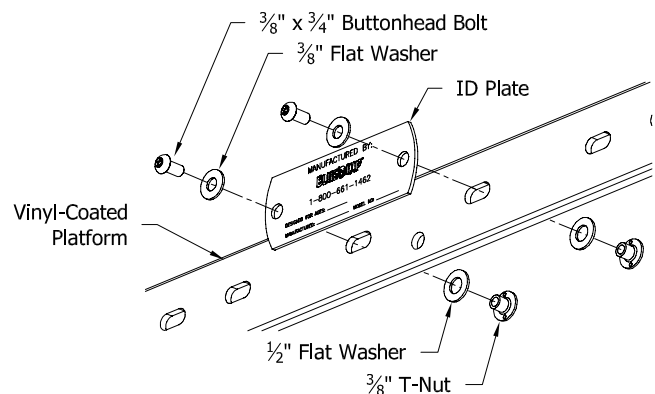


(example given of an unmarked age label)

## ID PLATE MOUNTING INSTRUCTIONS:

Some composite structures will be supplied with a metal ID Plate, enclosed within the envelope that contained these installation instructions.

- The ID Plate should be permanently attached to the face of a vinyl-coated platform on the composite structure, in a readily identifiable and visible location.
- Attach the ID Plate to the face of the platform using (2)  $\frac{3}{8}$ " x  $\frac{3}{4}$ " Buttonhead Bolts, (2)  $\frac{3}{8}$ " Flat Washers, (2)  $\frac{1}{2}$ " Flat Washers, and (2)  $\frac{3}{8}$ " T-Nuts.





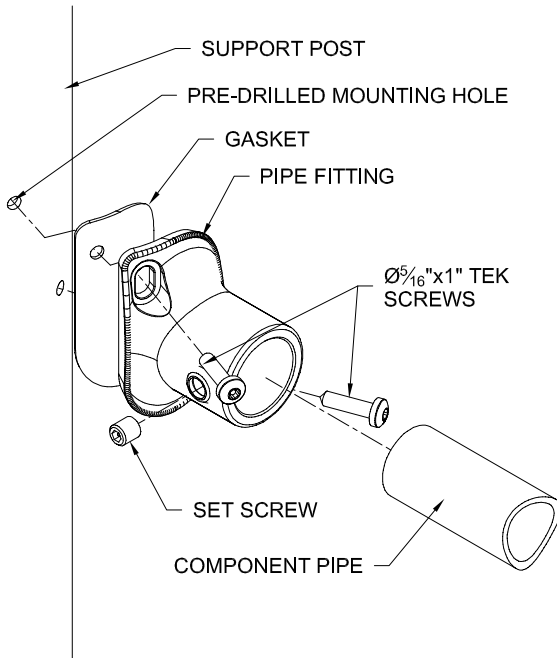
Play Strong.

TOLL FREE: 1-800-661-1462 FAX: (403) 529-0851

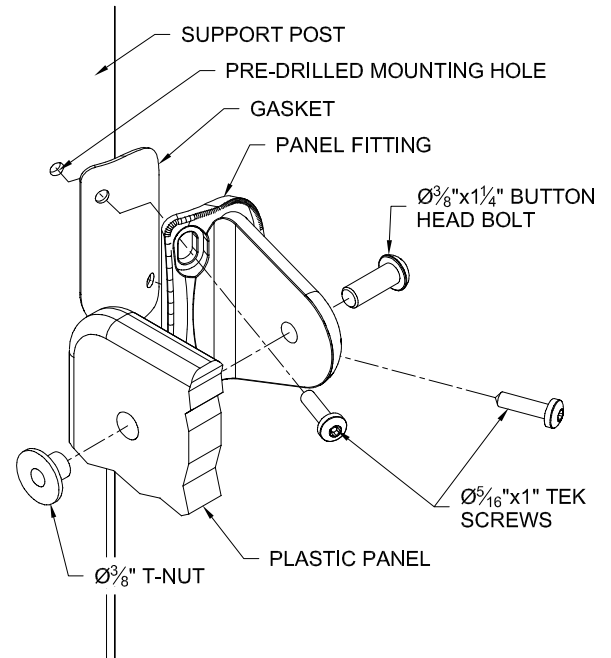
## GENERAL ASSEMBLY NOTES: CONCRETE PILE INSTALLATION

- 1) Read ALL instructions prior to assembly of equipment.
- 2) Drill all Pile Holes as per PILE LAYOUT, and remove tailings from site.  
*(Note: All Pile Hole depths are measured from Finished Grade. Subtract the depth of safety surfacing to determine depth of Pile Holes measured from Rough Grade).*
- 3) Place Support Posts into Pile Holes. Refer to POST ANCHORMENT instruction for blocking requirements. Ensure that the correct length of Post is placed into each Pile Hole, as indicated on the PLAN LAYOUT.  
*(Note: DO NOT POUR CONCRETE AT THIS STAGE).*
- 4) Attach Platforms to the Posts, at the heights shown on the PLAN LAYOUT, and using the procedure described in the PLATFORM INSTALLATION instruction.
- 5) Ensure that all posts are plumb and correctly levelled, and install all other components, using the procedures described in the installation instructions that follow. Install Safety Rungs and D-Rails last. *Note: Some component support legs may require shortening to fit into Pile Holes.*
- 6) Verify that Posts are plumb and level, and pour concrete into the Pile Holes, to between 2" and 4" below Rough Grade. Crown the top surface of the concrete to ensure positive drainage away from Posts and Support Legs, etc.
- 7) Complete all remaining site work - Safety Surfacing, Border Timbers, etc.

## IMP PIPE & PANEL FITTING (DIRECT BOLT)



**DETAIL A - PIPE FITTING**



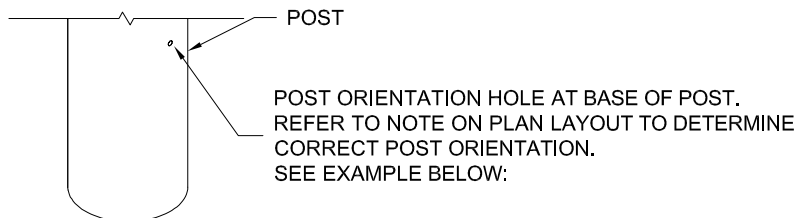
**DETAIL B - PANEL FITTING**

PIPE FITTING INSTRUCTION (SEE DETAIL A):

- 1) Place Rubber Gaskets onto Pipe Fittings. Ensure Gaskets are kept centered on the Pipe Fittings throughout installation. Note: Gaskets may require trimming when two fittings are installed side-by-side.
- 2) Slide Pipe Fittings onto component being installed (if required). SEE SPECIFIC COMPONENT INSTALLATION for more information.
- 3) Ensuring that the Support Posts are correctly aligned (SEE DETAIL C), identify the mounting holes in each Post that correspond with the Component being installed, and secure the Pipe Fittings to the post using (2)  $\frac{5}{16}$ " x 1" TEK Screws per Fitting. See DETAIL A. When all Pipe Fittings for the component are installed, center the component between the Support Posts and tighten Set Screws.

PANEL FITTING INSTRUCTION (SEE DETAIL B):

- 1) Place Rubber Gaskets onto Panel Fittings. Ensure Gaskets are kept centered on the Panel Fittings throughout installation. Note: Gaskets may require trimming when two fittings are installed side-by-side.
- 2) Ensuring that the Support Posts are correctly aligned (SEE DETAIL C), identify the mounting holes in each Post that correspond with the Panel/Component being installed, and secure the Panel Fittings to the post using (2)  $\frac{5}{16}$ " x 1" TEK Screws per Fitting. See DETAIL B.
- 3) After Panel Fittings are attached to the Support Posts, attach the Plastic Panel. It may also be required that the Plastic Panel be attached to the Platform. SEE SPECIFIC COMPONENT INSTALLATION for more information.



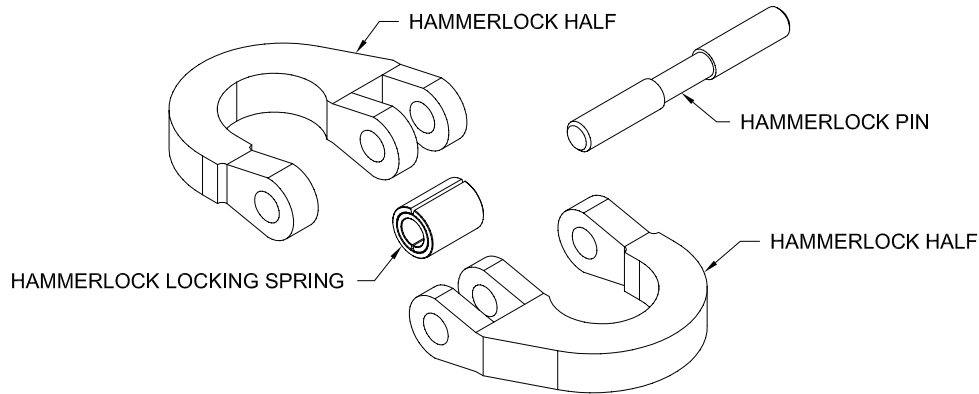
POST ORIENTATION HOLE  
MUST FACE IN DIRECTION OF ARROW.  
SEE **POST ANCHORMENT & ALIGNMENT  
INSTRUCTION** FOR FURTHER DETAILS.



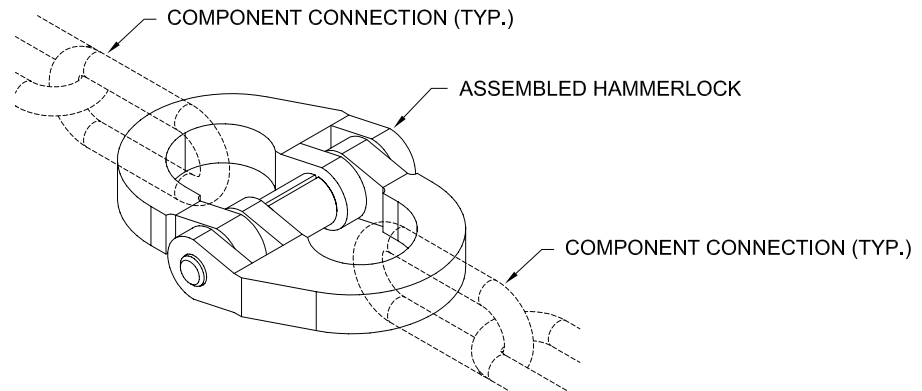
**DETAIL C**



# SP-541 9/32" HAMMERLOCK ASSEMBLY INSTRUCTION



## HAMMERLOCK COMPONENTS

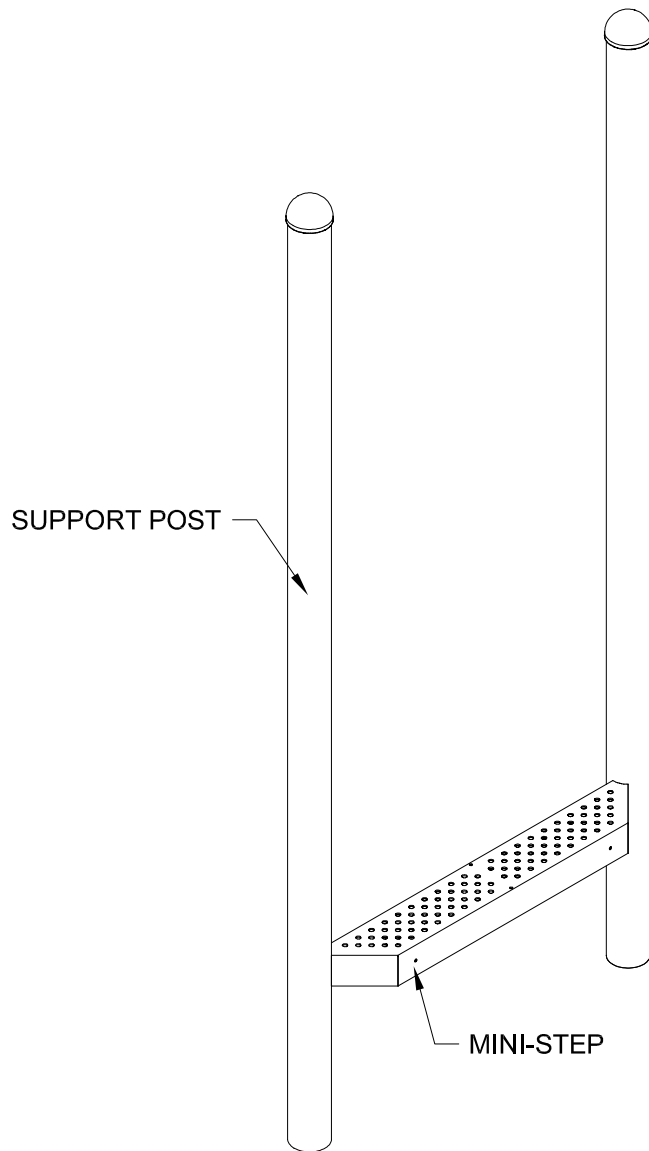


## ASSEMBLED HAMMERLOCK

### HAMMERLOCK ASSEMBLY INSTRUCTION:

- 1) Hammerlock installation is easiest when carried out on the ground, prior to installation of the equipment. If necessary, temporarily demount the equipment to facilitate the Hammerlock installation.
- 2) Slide one half of the Hammerlock into each of the components requiring connection.
- 3) Interlock the two Hammerlock halves, and temporarily insert the Pin, without the Locking Spring. Note that the Pin usually fits better in one direction. Before proceeding to Step 4, verify that the Pin can be inserted fully.
- 4) Hold the Locking Spring in place between the two interlocked Hammerlock halves, and slide the Pin through one side of the Hammerlock until it makes contact with the Locking Spring. Orient the Hammerlock so that the Locking Pin is pointing down and against a hard surface (e.g., a thick steel plate). Ensuring that the Locking Spring is held firmly in place and aligned with the Pin, strike the Pin with a hammer, to drive it through the two Hammerlock halves and the Locking Spring, to complete the Hammerlock connection.

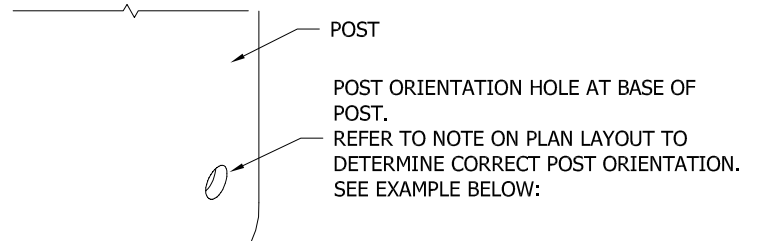
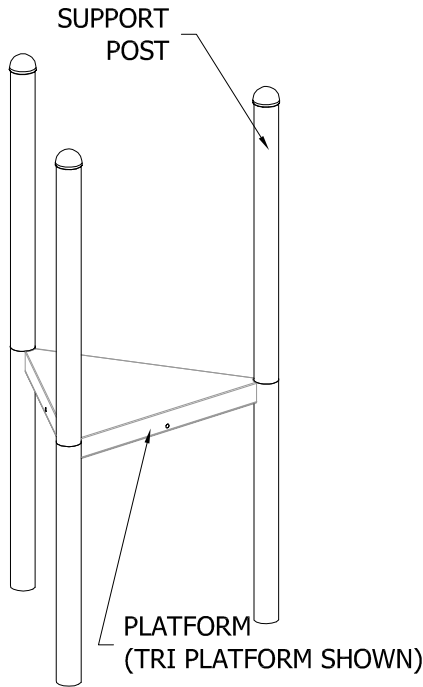
# IMP MINI STEP



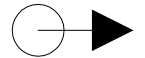
## MINI-STEP INSTRUCTION:

- 1) Attach Mini-Step to Support Posts as per PLATFORM INSTRUCTION. Regular installation of Mini-Step will have Top Surface to be 18" above finished grade.  
(Height variations of Mini-Step may change due to age usage, SEE TOP VIEW DRAWING)

# IMP PLATFORM INSTRUCTION (DIRECT BOLT)



POST ORIENTATION HOLE MUST FACE IN DIRECTION OF ARROW. SEE **POST ANCHORMENT & ALIGNMENT INSTRUCTION** FOR FURTHER DETAILS.

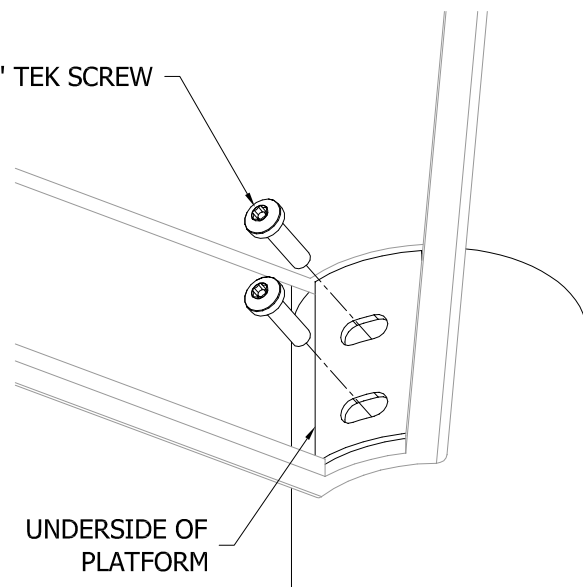


## DETAIL 'A'

### IMP PLATFORM INSTRUCTION:

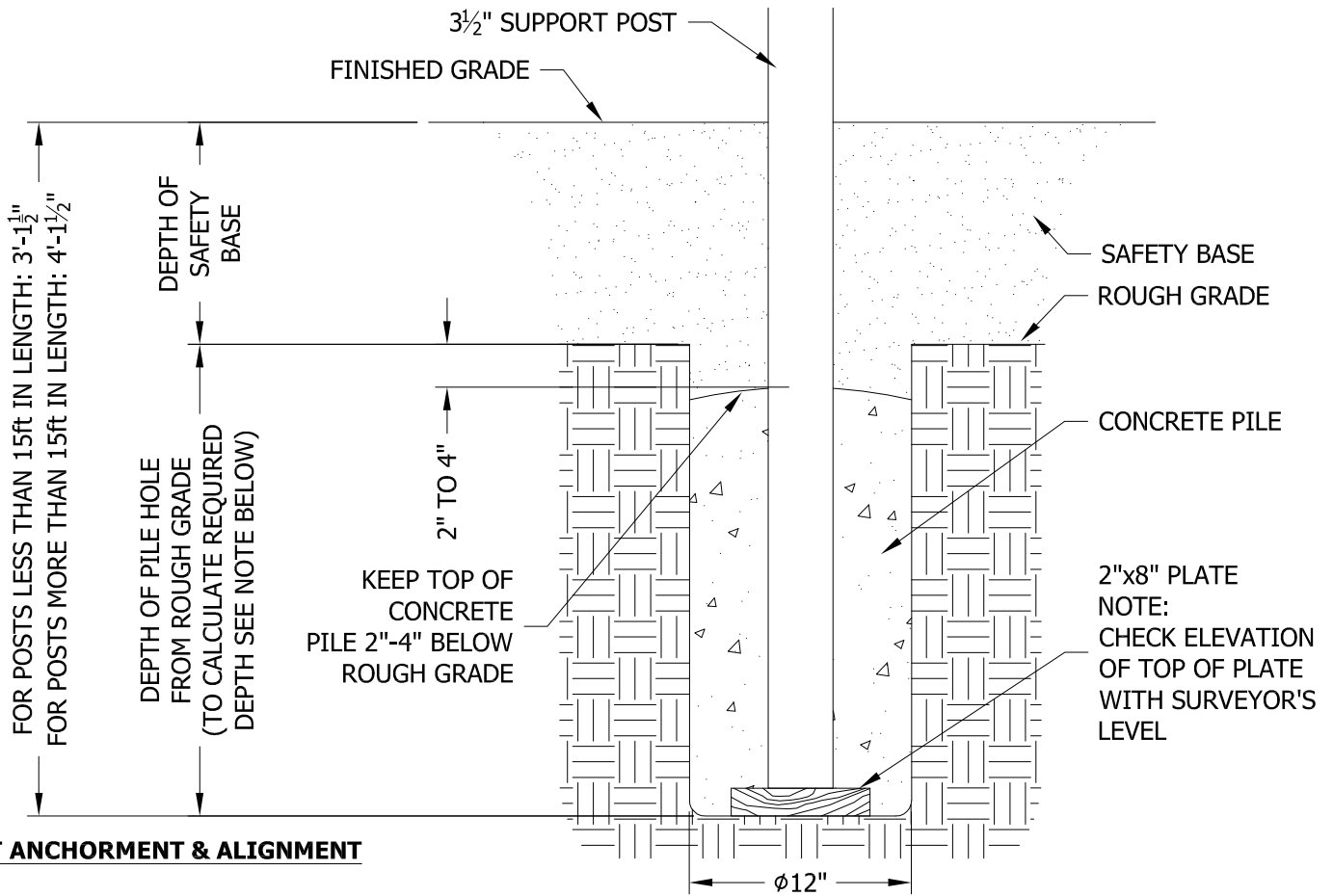
1. Choose one platform on the PLAN layout to begin with. Locate the Support Posts for all corners of platform (Support Posts numbers are indicated on the PLAN layout).
2. Place Support Posts into their associated Pile Holes, and orient the Posts so that the directional indicator at the foot of the post is facing the direction indicated on the Plan layout. SEE DETAIL 'A'. Temporarily prop-up the posts as required.
3. Identify the mounting holes in each post that relate to the Platform, and secure Platform to Posts using (1)  $\frac{5}{16}$ " x 1" TEK Screws per slot on Platform corner plate. SEE DETAIL 'B'. The number and configuration of slots varies depending on Platform type.
4. Temporarily support the Platform as required, and secure remaining corners of Platform to Posts.
5. Continue Assembling Platforms and Support Posts as per the PLAN and PILE layouts until all Platforms and associated posts are assembled.
6. For increased platform stability, connect adjacent platforms together through slots in platform faces, using (4)  $\frac{3}{8}$ " x 1" Buttonhead Bolts, (4)  $\frac{3}{8}$ " Flat Washers, (4)  $\frac{1}{2}$ " Flat Washers, and (4)  $\frac{3}{8}$ " T-Nuts.

$\phi\frac{5}{16}$ "x1" TEK SCREW



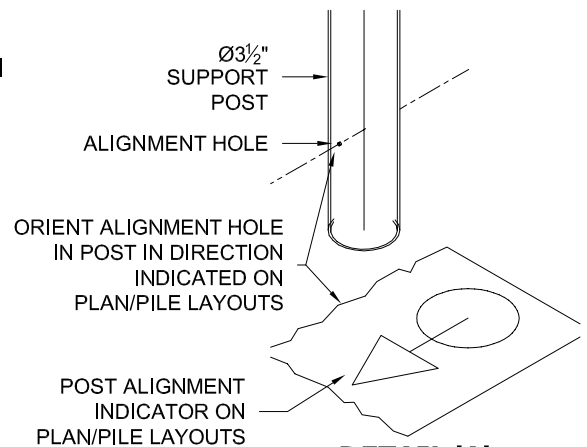
## DETAIL 'B'

# IMP POST ANCHORMENT AND ALIGNMENT (DIRECT BOLT)



## POST ANCHORMENT & ALIGNMENT

1. Drill a  $\phi 12$ " pile hole. To calculate required depth of pile hole from rough grade see note below.
2. Place a 2"x8" plate into the bottom of each hole. **IMPORTANT:** Check the elevation of the top of the 2"x8" plate with a surveyor's level to ensure all the 2"x8" plates are at the same elevation.
3. Place  $3\frac{1}{2}$ " support posts in the pile holes as shown in the PILE LAYOUT. Each post is uniquely numbered, and its pile hole is correspondingly numbered on the PLAN LAYOUT and PILE LAYOUT.
4. Each post is manufactured with an alignment hole positioned approximately 2" below intended Finished Grade Level. Before the post is installed plug the Alignment Hole using (1)  $\frac{5}{16}$ " x 1" TEK Screw. Rotate each post so that the alignment hole is facing the direction indicated on the PLAN LAYOUT and PILE LAYOUT. See Detail 'A'.
5. Once all the equipment is assembled and posts are plumbed, pour concrete around the support posts to fill the pile holes as shown. **\*\*\*The concrete must remain under protective surfacing for safety.\*\*\***

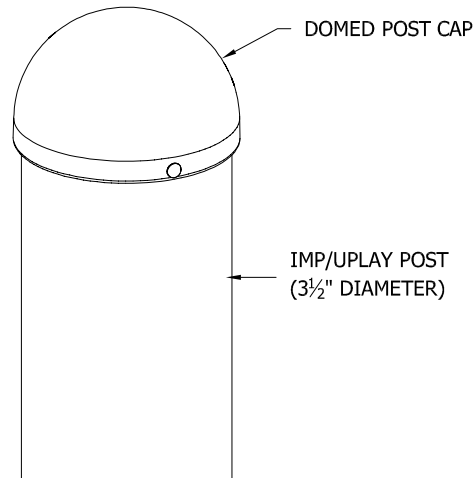


**DETAIL 'A'**

### IMPORTANT!!

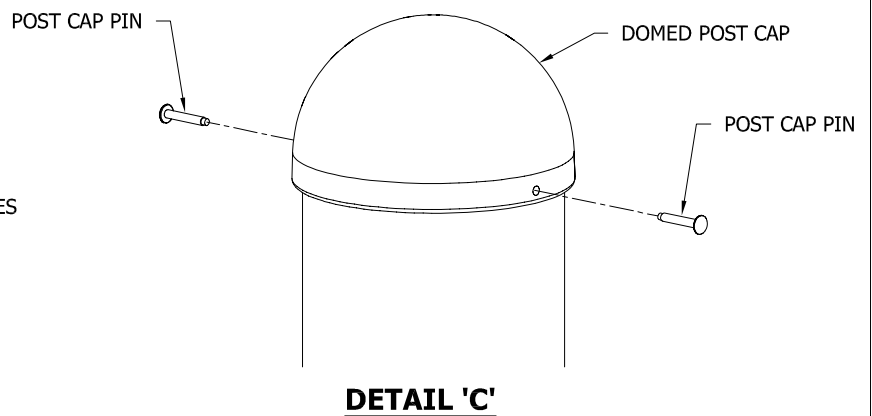
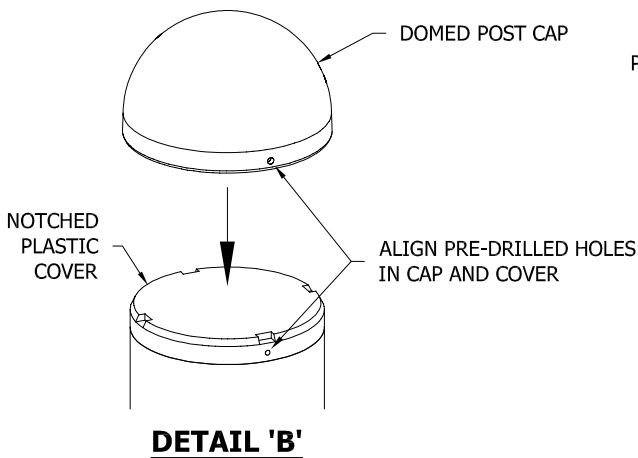
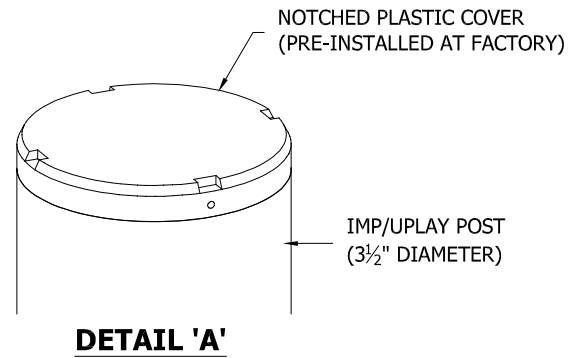
The depth of pile hole shown on the Pile Layout is measured from Finished Grade and includes the depth of Safety Base. To determine the depth of the pile hole from Rough Grade, subtract the depth of safety base from the indicated depth. E.g., for 12" of safety base and a post less than 15ft in length, the depth of the pile hole from rough grade should be  $37\frac{1}{2}" - 12" = 25\frac{1}{2}"$ .

# IMP/UPLAY POST CAPS

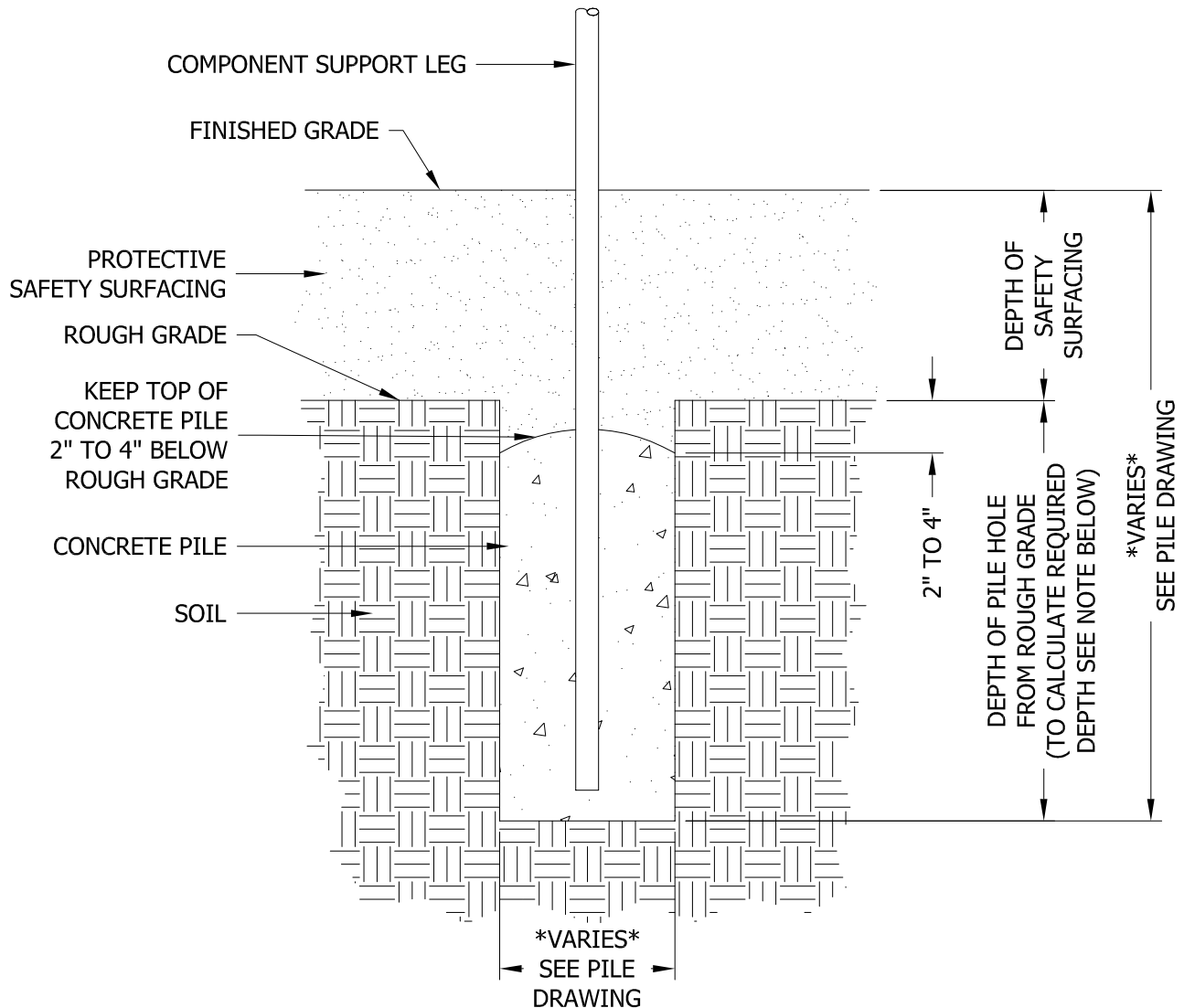


## **IMP/UPLAY POST CAPS (3.5\"**

1. Identify the IMP/UPLAY Posts that require the installation of Domed Post Caps. These posts will be supplied with a pre-installed Notched Plastic Cover. See DETAIL 'A'.
2. Position a Domed Post Cap over the Notched Plastic Cover, aligning the two predrilled holes in the Cap with the two pre-drilled holes in the side of the Cover. See DETAIL 'B'.
3. Secure the Domed Post Cap to the Notched Plastic Cover by carefully driving a Post Cap Pin ( $\frac{3}{4}$ \"



# SUPPORT LEG ANCHORMENT



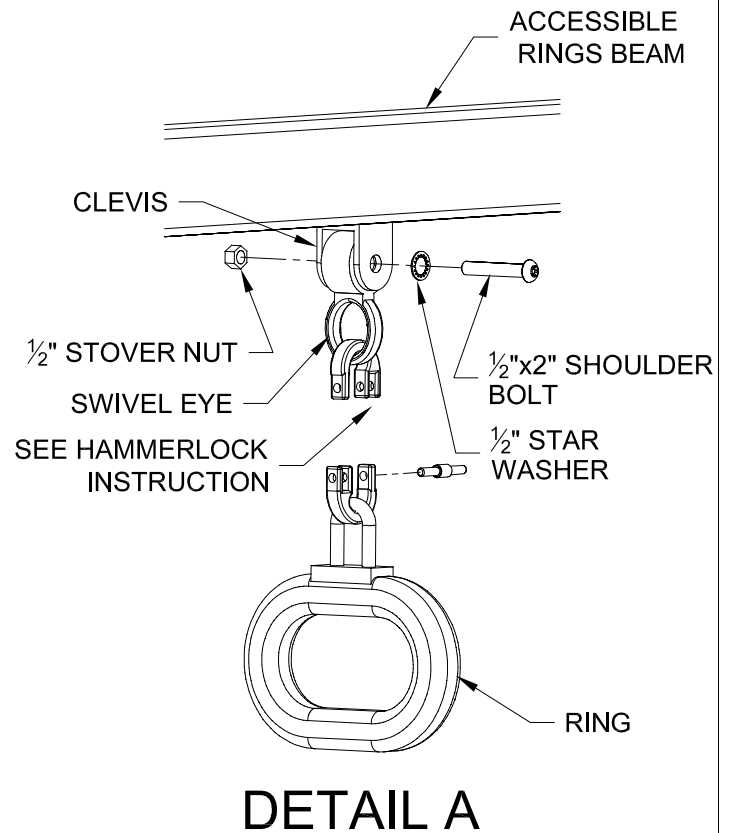
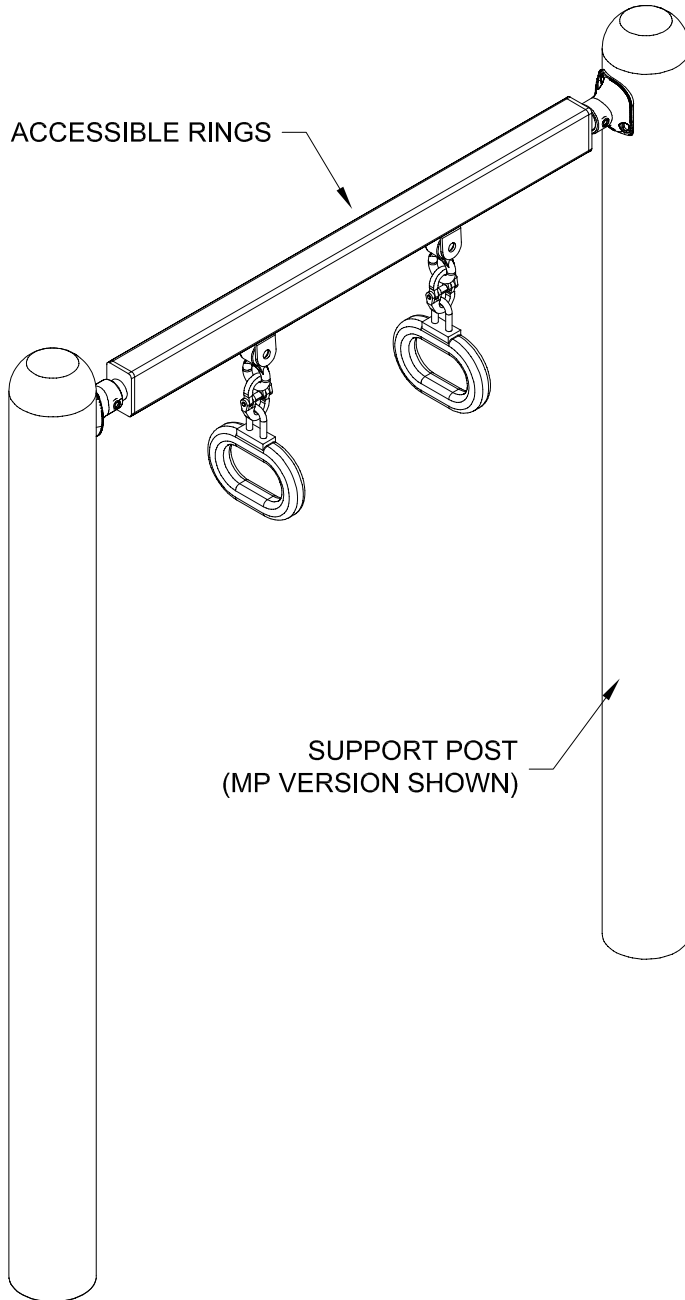
## **SUPPORT LEG ANCHORMENT**

- 1) Identify Component Pile hole on PILE drawing. Drill a pile hole as per size and depth specified on PILE Drawing. See note to calculate the depth of the hole.
- 2) Place the support leg in the pile hole as shown in the PILE LAYOUT.
- 3) Once all the equipment is assembled and all main support posts are plumbed, pour concrete around the support leg to fill the pile holes as shown. \*\*\*The concrete must remain below the protective safety surfacing.\*\*\*

### **IMPORTANT!!**

The pile hole depth shown is measured from finished grade and includes the depth of protective safety surfacing. To determine the pile hole depth from rough grade, subtract the depth of protective safety surfacing from the overall depth shown. E.g., for 12" of protective safety surfacing and a 36" deep pile hole, the pile hole depth from rough grade will be  $36" - 12" = 24"$ .

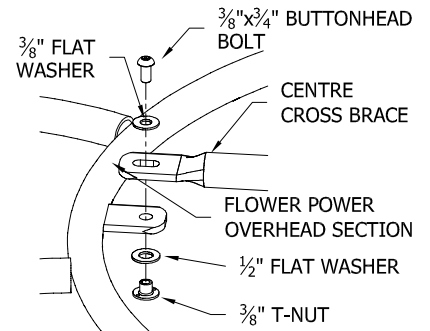
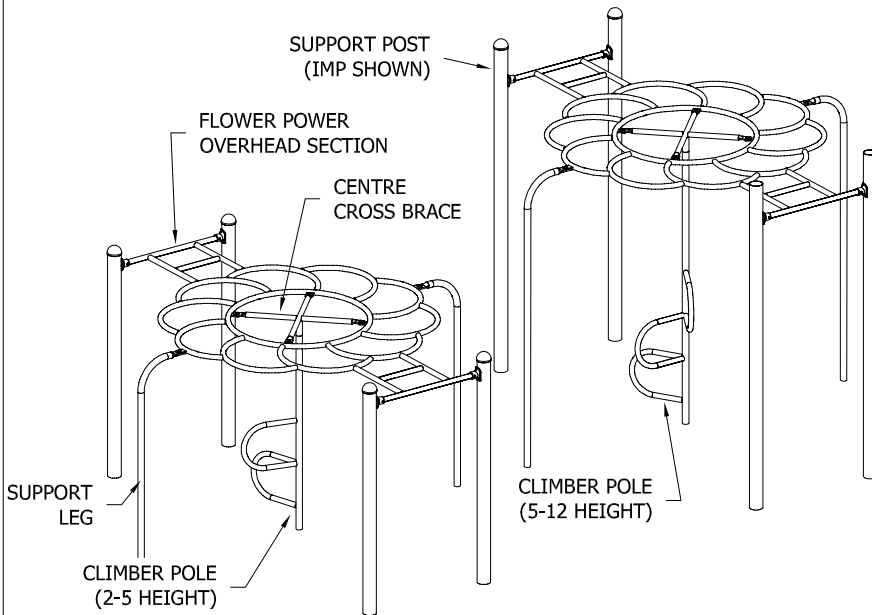
# IMP/MP ACCESSIBLE RINGS



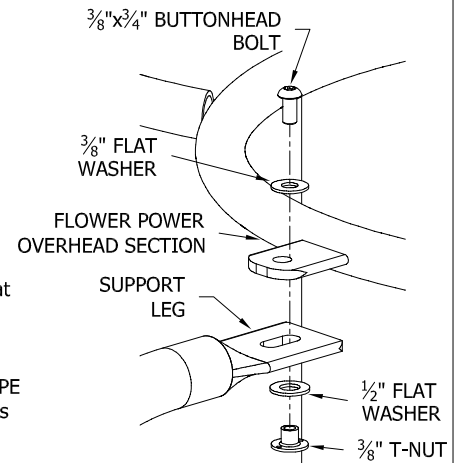
### ACCESSIBLE RINGS INSTRUCTION:

1. Slide Pipe Fittings onto Accessible Rings Beam. Attach Pipe Fittings to Support Post as per PIPE FITTING INSTRUCTION. Top of Pipe Fittings to be positioned 61 $\frac{1}{4}$ " above Finished Grade.
2. Attach Swivel Eyes to Clevises by using (2)  $\frac{1}{2}$ "x2" Shoulder Bolts, (2)  $\frac{1}{2}$ " Star Washers, and (2)  $\frac{1}{2}$ " Stover Nuts. Using Hammerlocks, attach Rings to Swivel Eyes as per HAMMERLOCK INSTRUCTION. SEE DETAIL A.

# IMP/MP FLOWER POWER



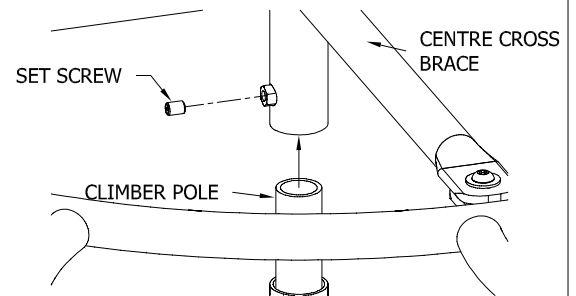
**DETAIL 'A'**



**DETAIL 'B'**

**FLOWER POWER OVERHEAD INSTRUCTIONS:**

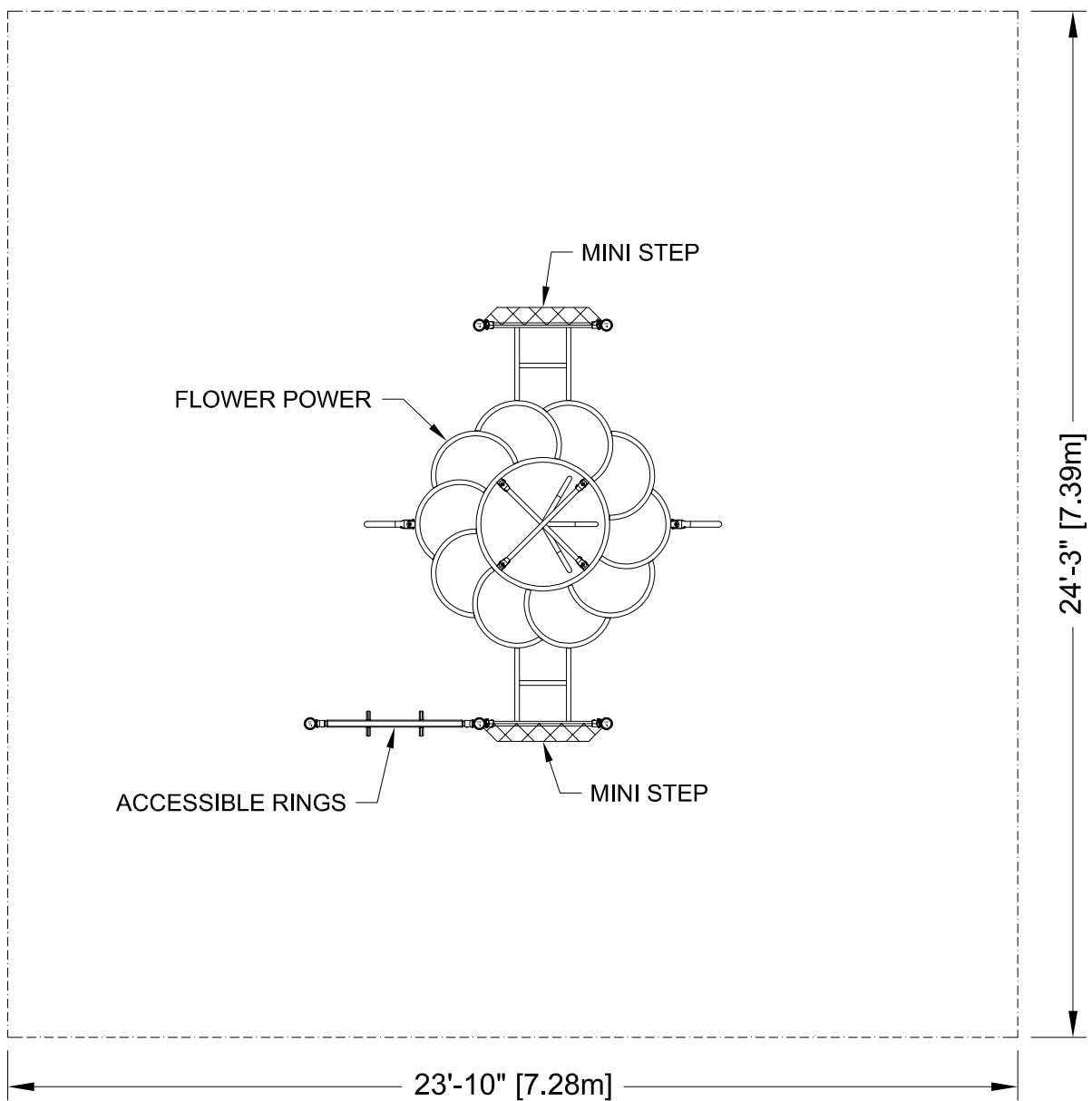
1. Attach Centre Cross brace to Flower Power Overhead Section using (4)  $\frac{3}{8}$ "x $\frac{3}{4}$ " Buttonhead Bolts, (4)  $\frac{3}{8}$ " Flat Washers, (4)  $\frac{1}{2}$ " Flat Washers, and (4)  $\frac{3}{8}$ " T-Nuts. SEE DETAIL 'A'. Orient Cross Brace with Sleeve pointing downwards.
2. Slide Pipe Fittings onto Flower Power Overhead Section, and attach Pipe Fittings to Support Posts as per PIPE FITTING INSTRUCTION. Top of Pipe Fittings to be 81 $\frac{3}{4}$ " from finished grade. If intended age is, or includes 2 to 5, top of Pipe Fittings to be 60" from finished grade. Support Overhead as necessary until assembly is complete.
3. Attach Support Legs to Flower Power Overhead Section using (1)  $\frac{3}{8}$ "x $\frac{3}{4}$ " Buttonhead Bolt, (1)  $\frac{3}{8}$ " Flat Washer, (1)  $\frac{1}{2}$ " Flat Washer, and (1)  $\frac{3}{8}$ " T-Nut, per Support Leg. SEE DETAIL 'B'.
4. Slide top of Climber Pole into the Sleeve on the Cross Brace, and secure with the Set Screw. SEE DETAIL 'C'.
5. Before Pouring concrete, ensure Flower Power Overhead is plumb and level.
6. Once Concrete has set, remove any temporary supports used during assembly.



**DETAIL 'C'**



DRAWINGS AND SPECIFICATIONS ARE PROPERTY OF S.F. SCOTT MANUFACTURING. THIS DRAWING MAY NOT BE REPRODUCED IN WHOLE OR IN PART WITHOUT THE PRIOR WRITTEN CONSENT OF THE ENGINEERING DEPARTMENT



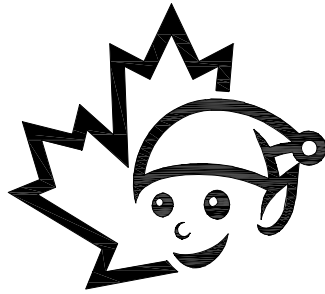
- CONFORMS TO THE CAN/CSA-Z614-20 STANDARD "CHILDREN'S PLAYGROUND EQUIPMENT AND SURFACING"
- PERIMETER SHOWN REPRESENTS EXTENT OF REQUIRED SAFETY SURFACING. WIDTH OF BORDER MATERIAL MUST BE ADDED BEFORE EXCAVATION.

LAYOUT #: 111028-1  
 JOB #:  
 RECOMMENDED AGES: 5-12  
 PROTECTIVE SURFACING REQUIRED:  
 AREA: 579 (sq.ft) PERIMETER: 97 (ft)  
 DRAWN BY: EH DATE: 02-SEP-21

1 UPDATED FLOWER POWER. TD 20-DEC-22

724 - 14TH STREET S.W., MEDICINE HAT, AB. T1A 4V7  
 TOLL FREE: 1-800-661-1462 FAX: (403) 529-0851  
 E-MAIL: sales@blueimp.com WEBSITE: www.blueimp.com

## APPENDIX 4



**Blue Imp**  
**PLAY STRONG**

Instruction Manual for Installation of:

Age Group:



TOLL FREE: 1-800-661-1462 FAX: (403) 529-0851

## IMPORTANT PROTECTIVE SURFACING NOTES

- Numerous studies have shown that the majority of playground injuries are caused by falls.
- All play equipment with a fall height above the finished grade shall be located on a protective surface that extends around it to cover the protective surfacing zone.
- See ASTM F1292 "Impact Attenuating Surfacing Materials" document for protective surfacing recommendations.
- **DO NOT ALLOW CHILDREN TO PLAY ON THE EQUIPMENT UNTIL THE PROTECTIVE SURFACING HAS BEEN INSTALLED!**

For more information, consult your ASTM F2373-11 "Standard Consumer Safety Performance Specification for Public Use Play Equipment for Children 6 Months through 23 Months", or contact your local Blue Imp Representative.

# AGE GROUP & WARNING LABELLING

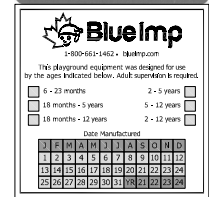
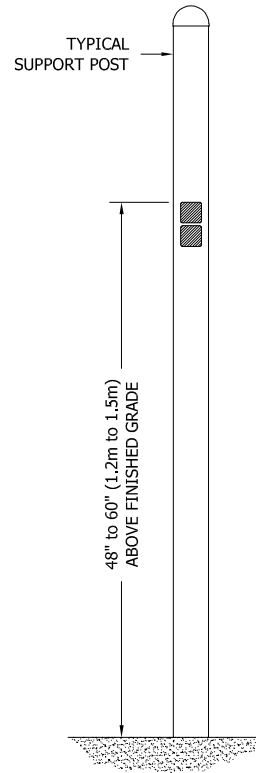
All play equipment and structures must have permanently attached labels for the following:

- Manufacturer's identification and contact number.
- Age groups for which the equipment has been designed.

## ADHESIVE LABEL APPLICATION INSTRUCTIONS:

Labels are contained within a small envelope included with your Instruction Package. Apply the Labels as follows:

- Refer to the Cover Page of each Installation Instruction to determine which Age Group labels are appropriate for that item. (*Note: for Swings containing only "Tot" or "Accessible" Seats, the Age Group will be 2-5. For Swings containing only "Belt" or "Soft Edge" Seats, the Age Group will be 5-12. For Swings containing both seat types, the Age Group will be 2-12.*)
- Age labels will have been marked with appropriate equipment age groups and date of manufacture at factory.
- Choose a location that is easily seen, near the main entrance to the structure, and at eye level where it will be noticed.
- Labels adhere best to painted surfaces - do not apply to plastic or vinyl-coated components.
- Make sure the surface is clean and dry before applying the label.
- Peel away backing sheet and place label in position.
- For larger, composite structures, apply labels in two or more locations.

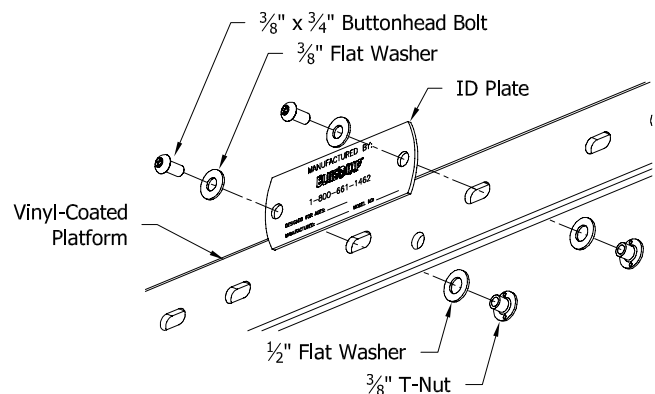


(example given of an unmarked age label)

## ID PLATE MOUNTING INSTRUCTIONS:

Some composite structures will be supplied with a metal ID Plate, enclosed within the envelope that contained these installation instructions.

- The ID Plate should be permanently attached to the face of a vinyl-coated platform on the composite structure, in a readily identifiable and visible location.
- Attach the ID Plate to the face of the platform using (2)  $\frac{3}{8}$ " x  $\frac{3}{4}$ " Buttonhead Bolts, (2)  $\frac{3}{8}$ " Flat Washers, (2)  $\frac{1}{2}$ " Flat Washers, and (2)  $\frac{3}{8}$ " T-Nuts.





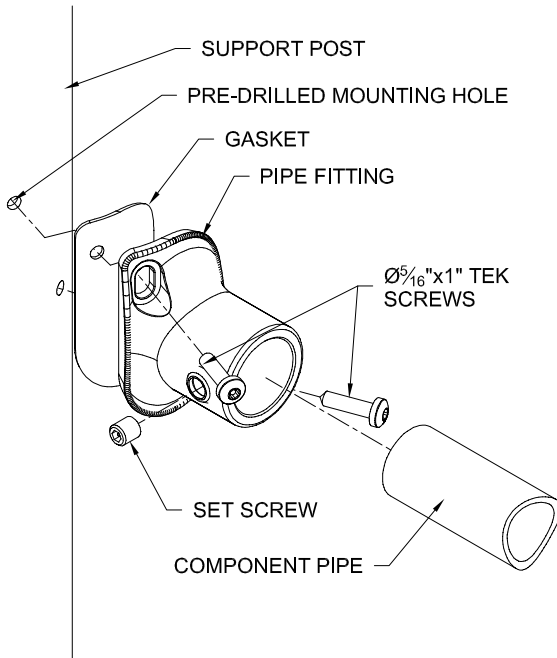
Play Strong.

TOLL FREE: 1-800-661-1462 FAX: (403) 529-0851

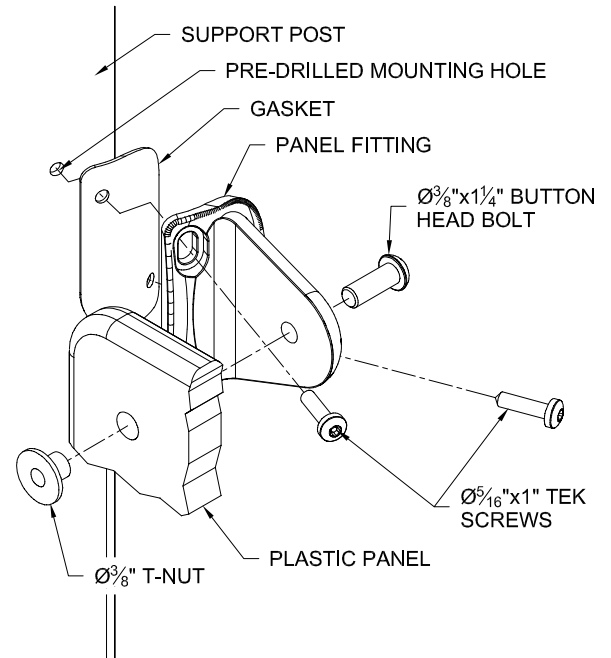
## GENERAL ASSEMBLY NOTES: CONCRETE PILE INSTALLATION

- 1) Read ALL instructions prior to assembly of equipment.
- 2) Drill all Pile Holes as per PILE LAYOUT, and remove tailings from site.  
*(Note: All Pile Hole depths are measured from Finished Grade. Subtract the depth of safety surfacing to determine depth of Pile Holes measured from Rough Grade).*
- 3) Place Support Posts into Pile Holes. Refer to POST ANCHORMENT instruction for blocking requirements. Ensure that the correct length of Post is placed into each Pile Hole, as indicated on the PLAN LAYOUT.  
*(Note: DO NOT POUR CONCRETE AT THIS STAGE).*
- 4) Attach Platforms to the Posts, at the heights shown on the PLAN LAYOUT, and using the procedure described in the PLATFORM INSTALLATION instruction.
- 5) Ensure that all posts are plumb and correctly levelled, and install all other components, using the procedures described in the installation instructions that follow. Install Safety Rungs and D-Rails last. *Note: Some component support legs may require shortening to fit into Pile Holes.*
- 6) Verify that Posts are plumb and level, and pour concrete into the Pile Holes, to between 2" and 4" below Rough Grade. Crown the top surface of the concrete to ensure positive drainage away from Posts and Support Legs, etc.
- 7) Complete all remaining site work - Safety Surfacing, Border Timbers, etc.

## IMP PIPE & PANEL FITTING (DIRECT BOLT)



**DETAIL A - PIPE FITTING**



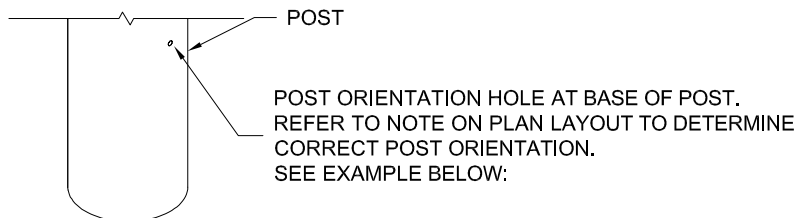
**DETAIL B - PANEL FITTING**

**PIPE FITTING INSTRUCTION (SEE DETAIL A):**

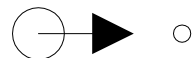
- 1) Place Rubber Gaskets onto Pipe Fittings. Ensure Gaskets are kept centered on the Pipe Fittings throughout installation. Note: Gaskets may require trimming when two fittings are installed side-by-side.
- 2) Slide Pipe Fittings onto component being installed (if required). SEE SPECIFIC COMPONENT INSTALLATION for more information.
- 3) Ensuring that the Support Posts are correctly aligned (SEE DETAIL C), identify the mounting holes in each Post that correspond with the Component being installed, and secure the Pipe Fittings to the post using (2)  $\frac{5}{16}$ " x 1" TEK Screws per Fitting. See DETAIL A. When all Pipe Fittings for the component are installed, center the component between the Support Posts and tighten Set Screws.

**PANEL FITTING INSTRUCTION (SEE DETAIL B):**

- 1) Place Rubber Gaskets onto Panel Fittings. Ensure Gaskets are kept centered on the Panel Fittings throughout installation. Note: Gaskets may require trimming when two fittings are installed side-by-side.
- 2) Ensuring that the Support Posts are correctly aligned (SEE DETAIL C), identify the mounting holes in each Post that correspond with the Panel/Component being installed, and secure the Panel Fittings to the post using (2)  $\frac{5}{16}$ " x 1" TEK Screws per Fitting. See DETAIL B.
- 3) After Panel Fittings are attached to the Support Posts, attach the Plastic Panel. It may also be required that the Plastic Panel be attached to the Platform. SEE SPECIFIC COMPONENT INSTALLATION for more information.

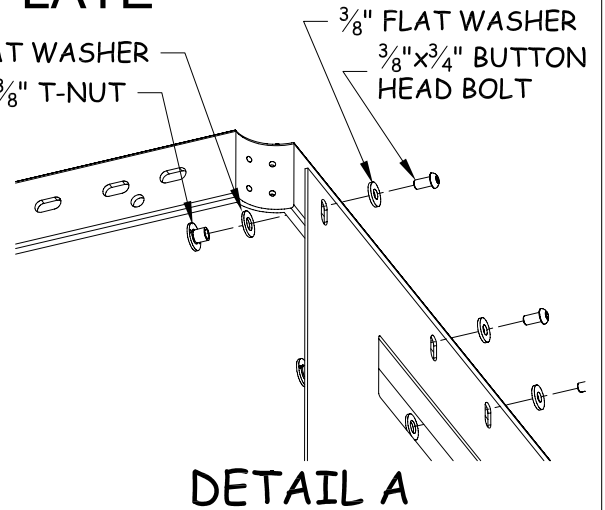
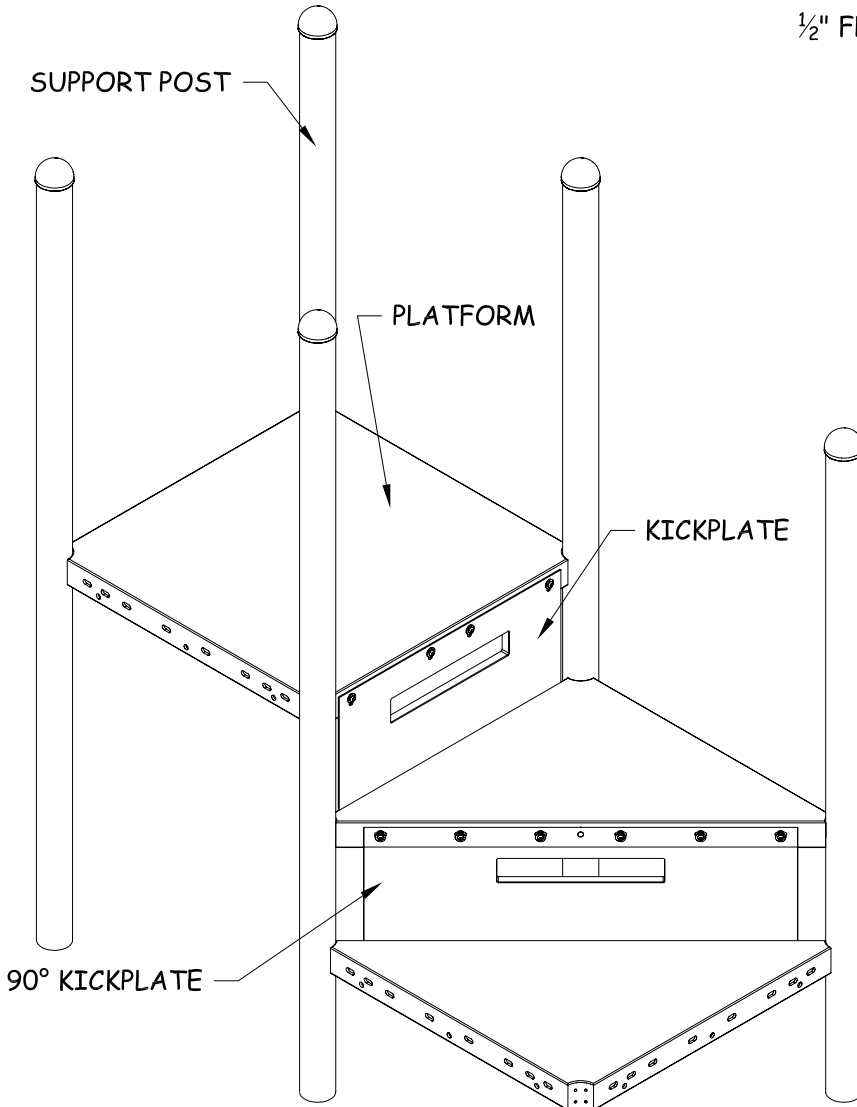


POST ORIENTATION HOLE  
MUST FACE IN DIRECTION OF ARROW.  
SEE **POST ANCHORMENT & ALIGNMENT  
INSTRUCTION** FOR FURTHER DETAILS.



**DETAIL C**

# IMP KICKPLATE



**KICKPLATE INSTRUCTION:**

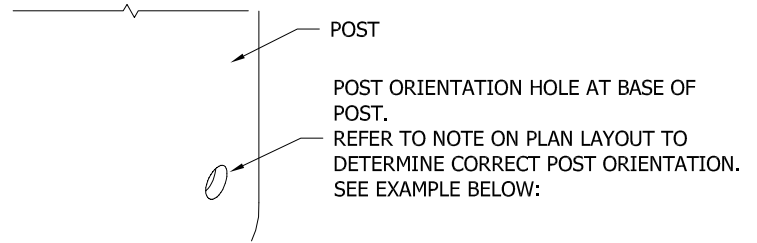
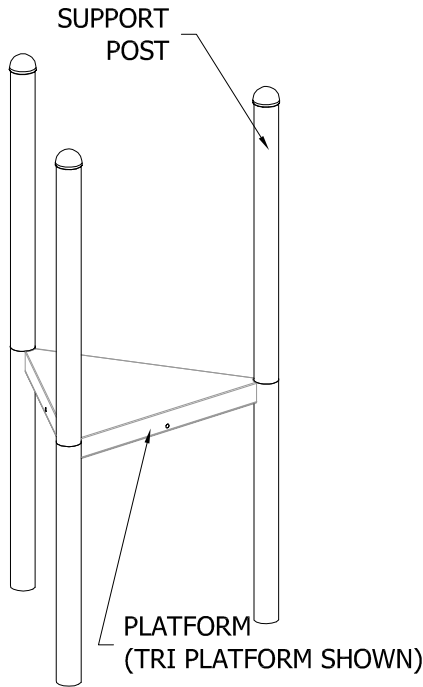
- 1) Attach 14", 9" and 7" Kickplates to platform by using (8)  $\frac{3}{8}$ "x $\frac{3}{4}$ " Button Head Bolts, (8)  $\frac{3}{8}$ " Flat Washers, (8)  $\frac{1}{2}$ " Flat Washers, and (8)  $\frac{3}{8}$ " T-Nuts. SEE DETAIL A.

**90° KICKPLATE INSTRUCTION:**

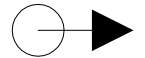
- 1) Attach 90° 14", 9" & 7" Kickplates, use (12)  $\frac{3}{8}$ "x $\frac{3}{4}$ " Button Head Bolts, (12)  $\frac{3}{8}$ " Flat Washers, (12)  $\frac{1}{2}$ " Flat Washers, and (12)  $\frac{3}{8}$ " T-Nuts. SEE DETAIL A.



# IMP PLATFORM INSTRUCTION (DIRECT BOLT)



POST ORIENTATION HOLE MUST FACE IN DIRECTION OF ARROW. SEE **POST ANCHORMENT & ALIGNMENT INSTRUCTION** FOR FURTHER DETAILS.

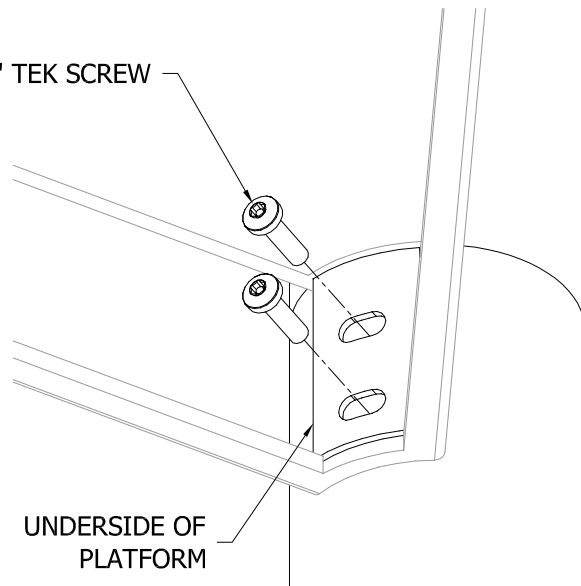


## DETAIL 'A'

### IMP PLATFORM INSTRUCTION:

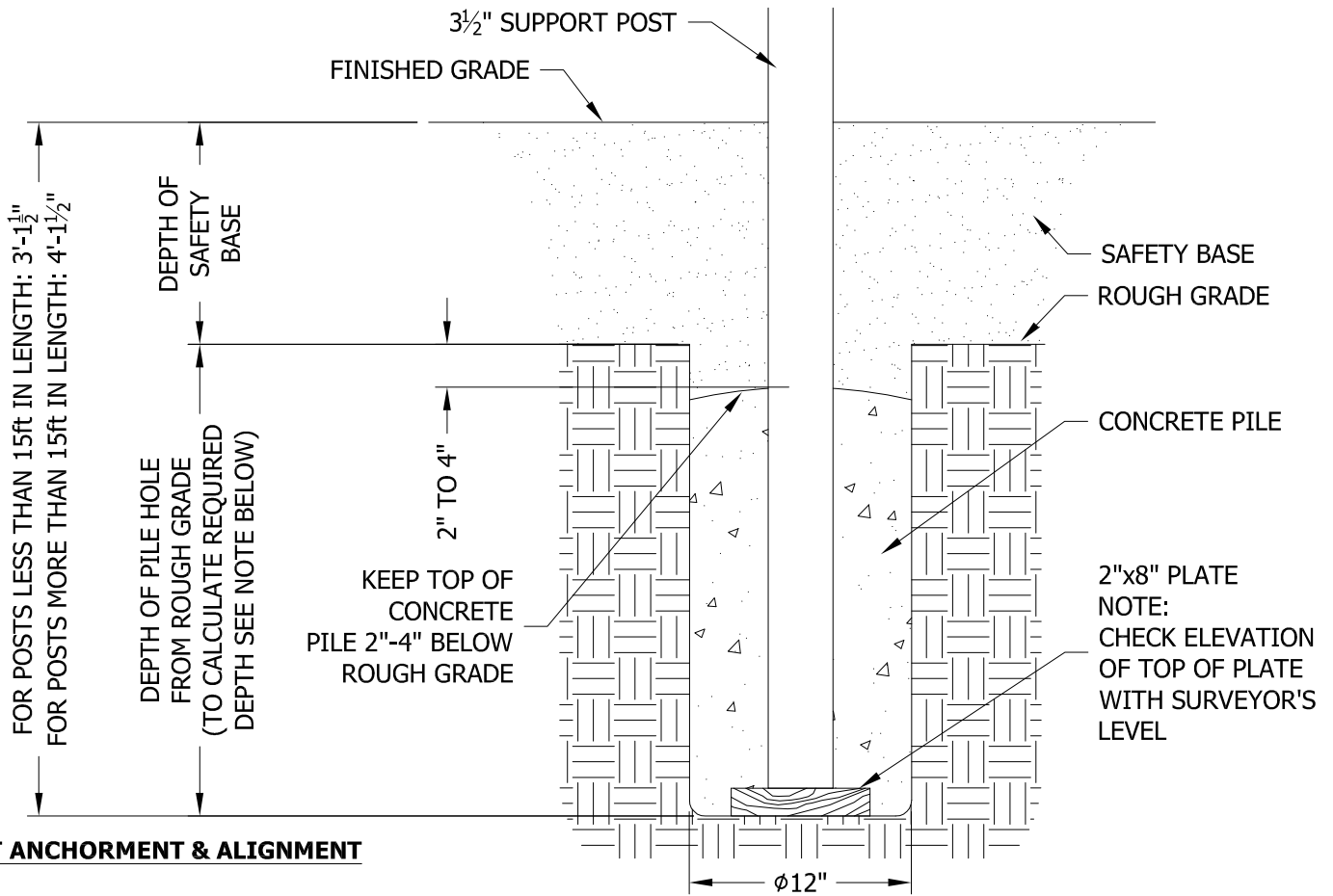
1. Choose one platform on the PLAN layout to begin with. Locate the Support Posts for all corners of platform (Support Posts numbers are indicated on the PLAN layout).
2. Place Support Posts into their associated Pile Holes, and orient the Posts so that the directional indicator at the foot of the post is facing the direction indicated on the Plan layout. SEE DETAIL 'A'. Temporarily prop-up the posts as required.
3. Identify the mounting holes in each post that relate to the Platform, and secure Platform to Posts using (1)  $\frac{5}{16}$ " x 1" TEK Screws per slot on Platform corner plate. SEE DETAIL 'B'. The number and configuration of slots varies depending on Platform type.
4. Temporarily support the Platform as required, and secure remaining corners of Platform to Posts.
5. Continue Assembling Platforms and Support Posts as per the PLAN and PILE layouts until all Platforms and associated posts are assembled.
6. For increased platform stability, connect adjacent platforms together through slots in platform faces, using (4)  $\frac{3}{8}$ " x 1" Buttonhead Bolts, (4)  $\frac{3}{8}$ " Flat Washers, (4)  $\frac{1}{2}$ " Flat Washers, and (4)  $\frac{3}{8}$ " T-Nuts.

$\phi\frac{5}{16}$ "x1" TEK SCREW



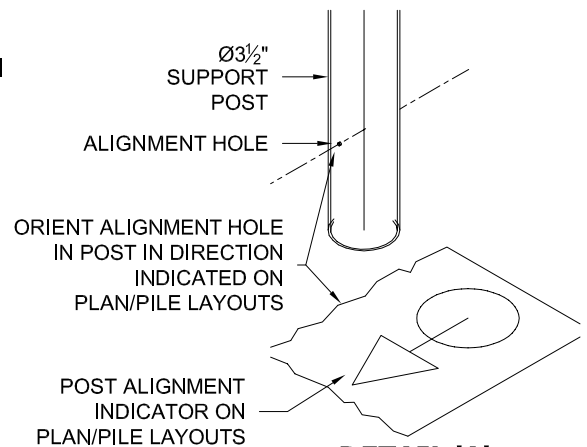
## DETAIL 'B'

# IMP POST ANCHORMENT AND ALIGNMENT (DIRECT BOLT)



## POST ANCHORMENT & ALIGNMENT

1. Drill a  $\phi 12$ " pile hole. To calculate required depth of pile hole from rough grade see note below.
2. Place a 2"x8" plate into the bottom of each hole. **IMPORTANT:** Check the elevation of the top of the 2"x8" plate with a surveyor's level to ensure all the 2"x8" plates are at the same elevation.
3. Place  $3\frac{1}{2}$ " support posts in the pile holes as shown in the PILE LAYOUT. Each post is uniquely numbered, and its pile hole is correspondingly numbered on the PLAN LAYOUT and PILE LAYOUT.
4. Each post is manufactured with an alignment hole positioned approximately 2" below intended Finished Grade Level. Before the post is installed plug the Alignment Hole using (1)  $\frac{5}{16}$ " x 1" TEK Screw. Rotate each post so that the alignment hole is facing the direction indicated on the PLAN LAYOUT and PILE LAYOUT. See Detail 'A'.
5. Once all the equipment is assembled and posts are plumbed, pour concrete around the support posts to fill the pile holes as shown. **\*\*\*The concrete must remain under protective surfacing for safety.\*\*\***

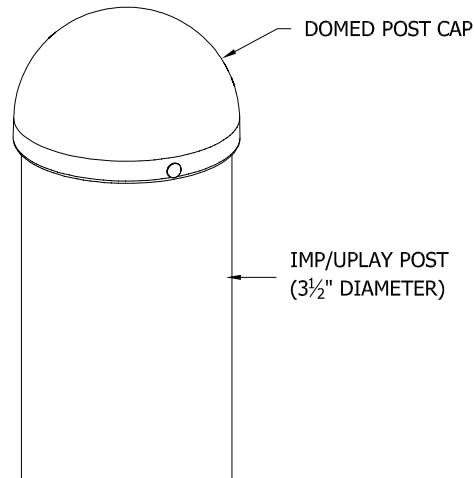


**DETAIL 'A'**

## IMPORTANT!!

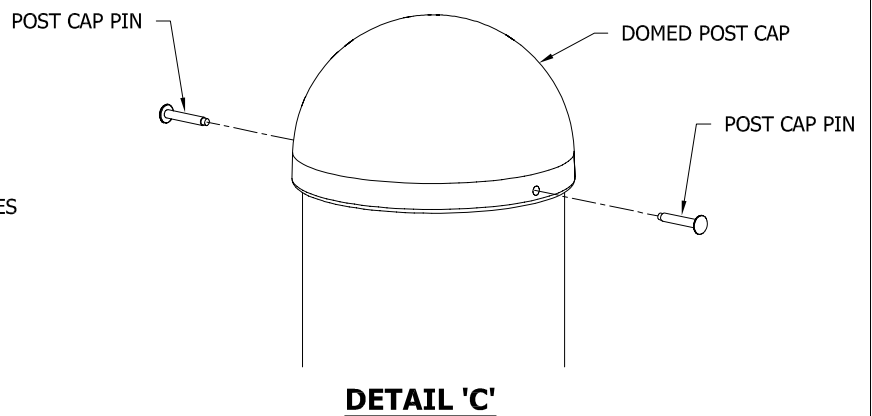
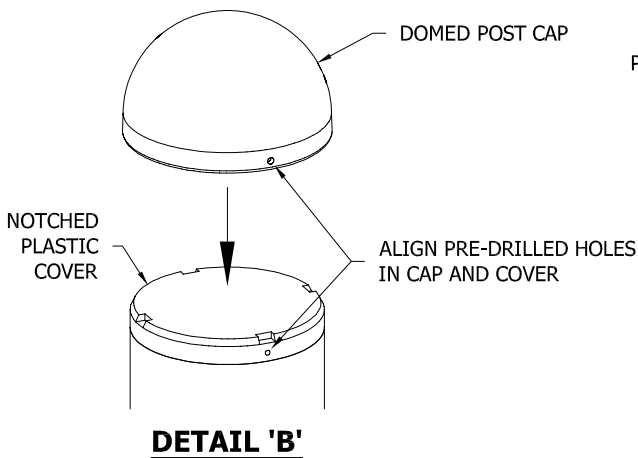
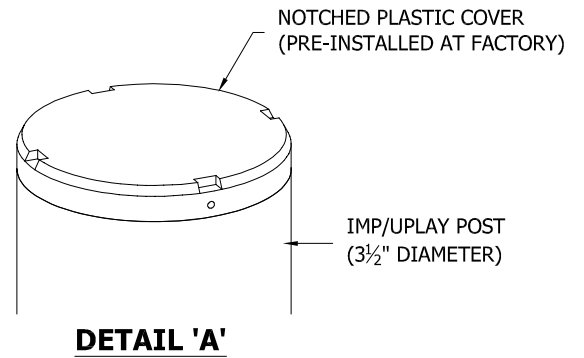
The depth of pile hole shown on the Pile Layout is measured from Finished Grade and includes the depth of Safety Base. To determine the depth of the pile hole from Rough Grade, subtract the depth of safety base from the indicated depth. E.g., for 12" of safety base and a post less than 15ft in length, the depth of the pile hole from rough grade should be  $37\frac{1}{2}" - 12" = 25\frac{1}{2}"$ .

# IMP/UPLAY POST CAPS

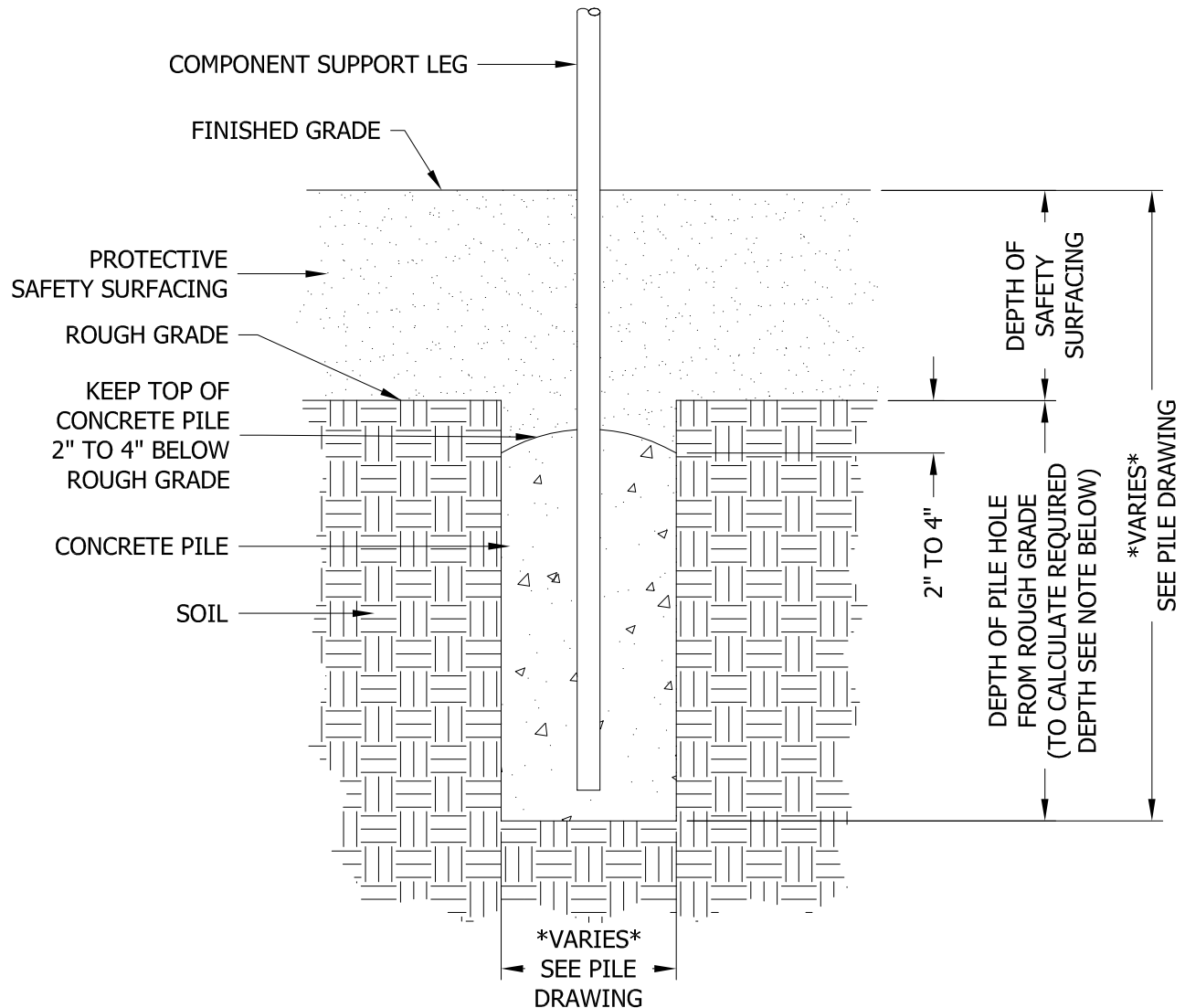


## **IMP/UPLAY POST CAPS (3.5" DIAMETER POSTS):**

1. Identify the IMP/UPLAY Posts that require the installation of Domed Post Caps. These posts will be supplied with a pre-installed Notched Plastic Cover. See DETAIL 'A'.
2. Position a Domed Post Cap over the Notched Plastic Cover, aligning the two predrilled holes in the Cap with the two pre-drilled holes in the side of the Cover. See DETAIL 'B'.
3. Secure the Domed Post Cap to the Notched Plastic Cover by carefully driving a Post Cap Pin ( $\frac{3}{4}$ " long) into each of the holes in the Post Cap and into the corresponding holes in the Cover. See DETAIL 'C'. **Note: Do not use excessive force. Use of a rubber mallet is recommended, to avoid accidental damage to the Post Cap.**



# SUPPORT LEG ANCHORMENT



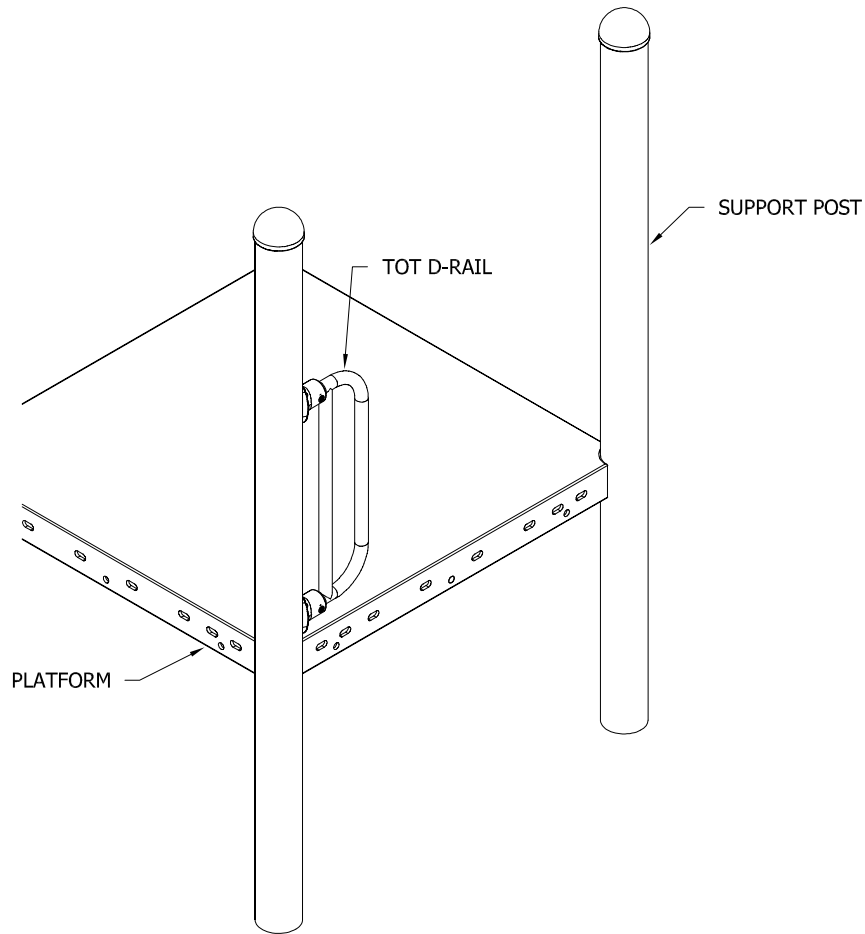
## **SUPPORT LEG ANCHORMENT**

- 1) Identify Component Pile hole on PILE drawing. Drill a pile hole as per size and depth specified on PILE Drawing. See note to calculate the depth of the hole.
- 2) Place the support leg in the pile hole as shown in the PILE LAYOUT.
- 3) Once all the equipment is assembled and all main support posts are plumbed, pour concrete around the support leg to fill the pile holes as shown. \*\*\*The concrete must remain below the protective safety surfacing.\*\*\*

### **IMPORTANT!!**

The pile hole depth shown is measured from finished grade and includes the depth of protective safety surfacing. To determine the pile hole depth from rough grade, subtract the depth of protective safety surfacing from the overall depth shown. E.g., for 12" of protective safety surfacing and a 36" deep pile hole, the pile hole depth from rough grade will be  $36" - 12" = 24"$ .

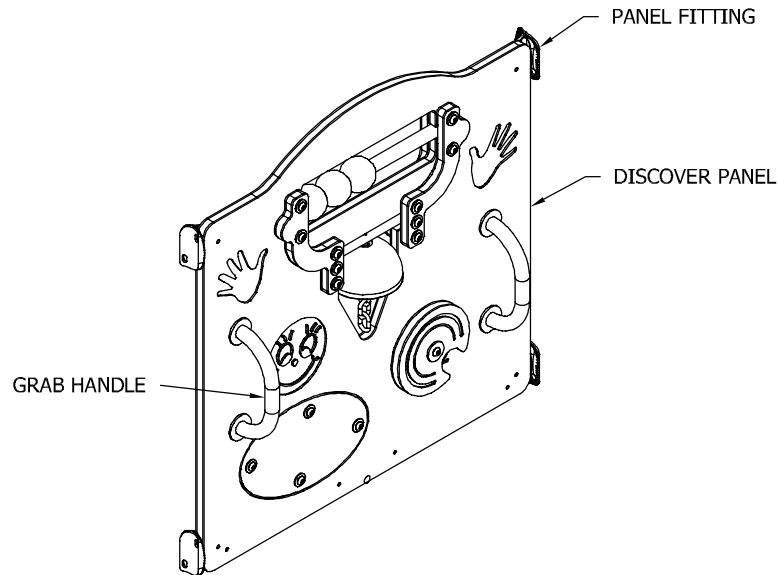
# IMP TOT D-RAIL



## **TOT D-RAILS INSTRUCTION:**

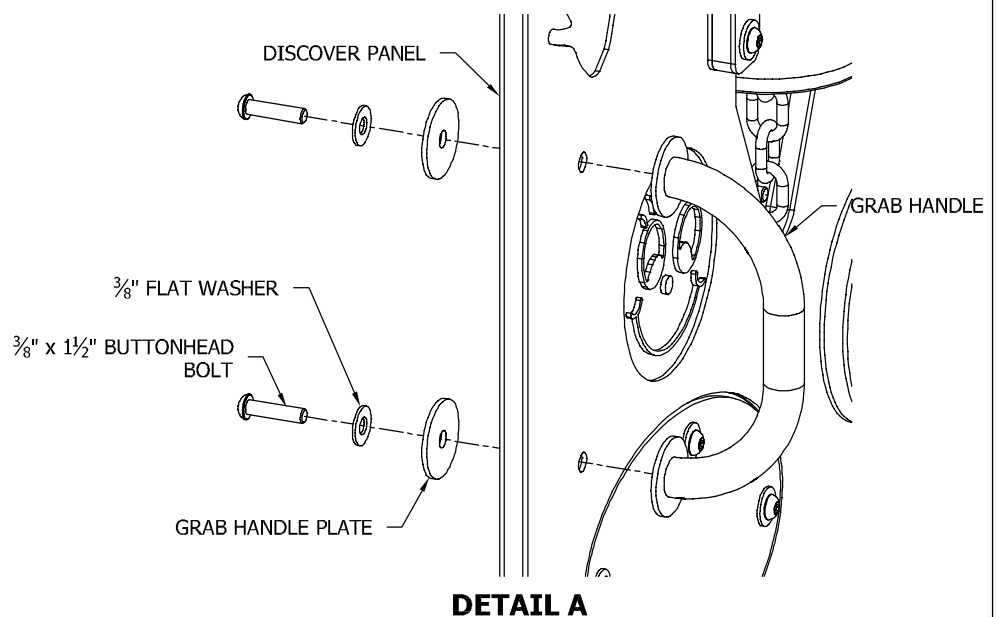
1. Slide Pipe Fittings onto Tot D-Rails, and attach to Support Posts as per PIPE FITTING INSTRUCTION. Top of Upper Pipe fittings will normally be  $23\frac{1}{2}$ " above Platform, but may be adjusted to avoid conflicts with adjacent fittings.

# IMP DISCOVER PANEL

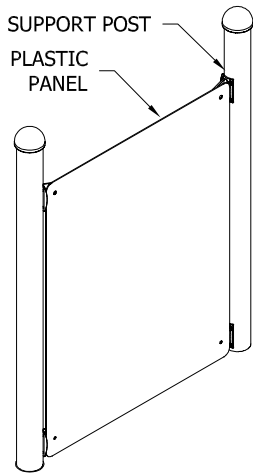


## **DISCOVER PANEL - INSTALLATION INSTRUCTIONS:**

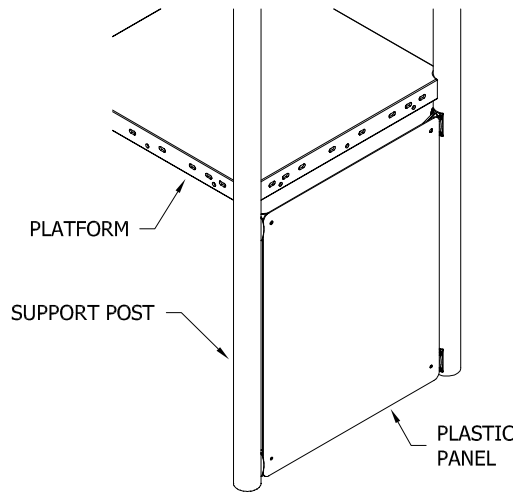
1. Attach (2) GRAB HANDLES to DISCOVER PANEL using (2)  $\frac{3}{8}$ " x  $1\frac{1}{2}$ " Buttonhead Bolts, (2)  $\frac{3}{8}$ " Flat Washers, and (2) GRAB HANDLE PLATES per GRAB HANDLE. **SEE DETAIL A.**
2. Attach DISCOVER PANEL to support posts as per PLASTIC PANEL INSTRUCTION.



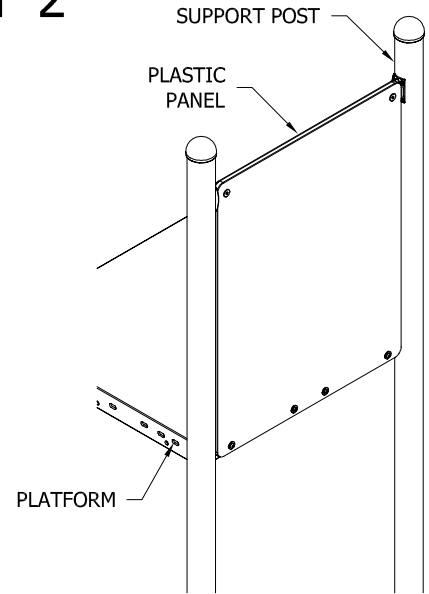
# IMP PLASTIC PANELS PAGE 1 OF 2



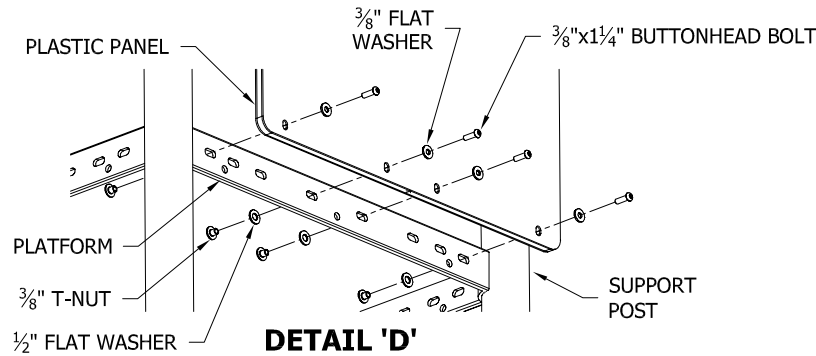
**FREESTANDING  
(DETAIL 'A')**



**BELOW PLATFORM  
(DETAIL 'B')**



**ABOVE PLATFORM  
(DETAIL 'C')**



**DETAIL 'D'**

Panels can be installed as freestanding items (see DETAIL 'A'), below a Platform (see DETAIL 'B'), or above a Platform (see DETAIL 'C'). Identify the method of installation.

Panels will be supplied with either mounting holes pre-drilled at the factory, or with mounting hole locations marked on the panel for drilling at installation time. For panels that are supplied pre-drilled, proceed with the instructions on this page, as appropriate for the intended method of installation. For panels that are supplied with marked mounting hole locations, proceed with instructions on Page 2, as appropriate for the method of installation.

PLASTIC PANEL INSTALLATION (factory Drilled holes):

Freestanding:

1. Attach Panel Fittings to Plastic Panel as per PANEL FITTING INSTRUCTION. Attach Panel Fittings to Support Post as per PANEL FITTING INSTRUCTION. The top of the upper Panel Fittings should be 41" above Finished Grade. Bottom of Plastic Panel should be even with Finished Grade.

Below Platform:

1. Attach Panel Fittings to Plastic Panel as per PANEL FITTING INSTRUCTION. Attach Panel Fittings to Support Post as per PANEL FITTING INSTRUCTION - see below for required height.
  - For platforms 54" and higher, the top of the upper Panel Fittings should be 41" above Finished Grade. Bottom of Plastic Panel should be even with Finished Grade.
  - For platform heights greater than 46" and less than 54", the top of the Plastic Panel should be 2" below the bottom of the platform, to prevent passage of the torso probe.
  - For platforms 46" and lower, the top of the Plastic Panel should be 2" below the bottom of the platform. (For platforms lower than 46", the Plastic Panel will be partially buried.)

Above Platform:

1. Attach (2) Panel Fittings to Plastic Panel as per PANEL FITTING INSTRUCTION. Attach Panel Fittings to Support Posts as per PANEL FITTING INSTRUCTION. Top of Panel Fittings to be 38½" above top of Platform.
2. Attach Plastic Panel to Platform using (4) 3/8"x1¼" Buttonhead Bolts, (4) 3/8" Flat Washers, (4) 1/2" Flat Washers, and (4) 3/8" T-Nuts. SEE DETAIL 'D'.

# IMP PLASTIC PANELS PAGE 2 OF 2

## PLASTIC PANEL INSTALLATION (Factory Marked Holes):

### Freestanding:

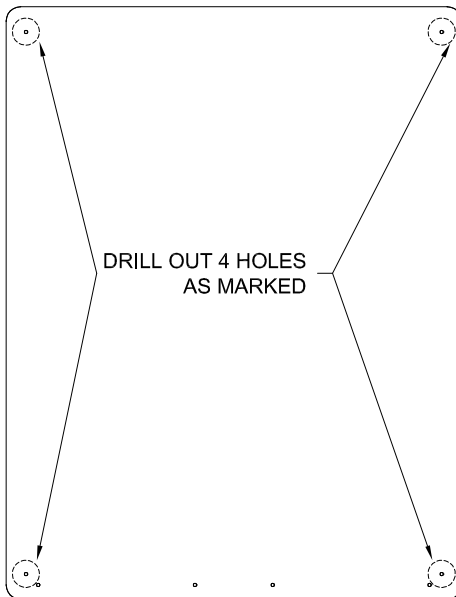
1. Drill (4)  $\emptyset\frac{1}{2}$ " holes through factory-marked holes on Plastic Panel. SEE DETAIL 'E' for hole locations.
2. Attach (4) Panel Fittings to Plastic Panel as per PANEL FITTING INSTRUCTION.
3. Attach Panel Fittings to Support Post as per PANEL FITTING INSTRUCTION. The top of the upper Panel Fittings should be 41" above Finished Grade. Bottom of Plastic Panel should be even with Finished Grade.

### Below Platform:

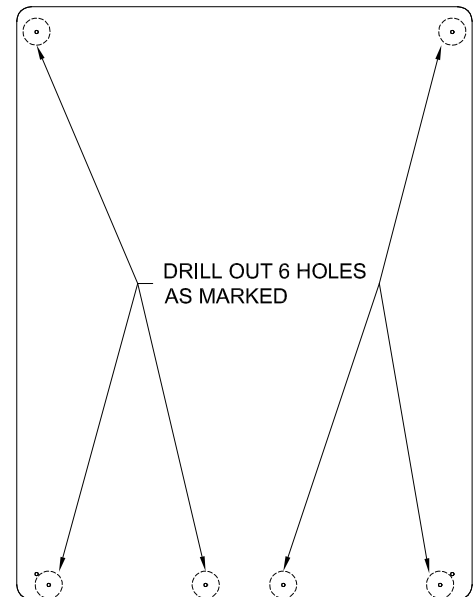
1. Drill (4)  $\emptyset\frac{1}{2}$ " holes through factory-marked holes on Plastic Panel. SEE DETAIL 'E' for hole locations.
2. Attach (4) Panel Fittings to Plastic Panel as per PANEL FITTING INSTRUCTION. Attach Panel Fittings to Support Post as per PANEL FITTING INSTRUCTION - see below for required height.
  - For platforms 54" and higher, the top of the upper Panel Fittings should be 41" above Finished Grade. Bottom of Plastic Panel should be even with Finished Grade.
  - For platform heights greater than 46" and less than 54", the top of the Plastic Panel should be 2" below the bottom of the platform, to prevent passage of the torso probe.
  - For platforms 46" and lower, the top of the Plastic Panel should be 2" below the bottom of the platform. (For platforms lower than 46", the Plastic Panel will be partially buried.)

### Above Platform:

1. Drill (6)  $\emptyset\frac{1}{2}$ " holes through factory-marked holes on Plastic Panel. SEE DETAIL 'F' for hole locations.
2. Attach (2) Panel Fittings to uppermost holes on Plastic Panel as per PANEL FITTING INSTRUCTION.
3. Attach Panel Fittings to Support Posts as per PANEL FITTING INSTRUCTION. Top of Panel Fittings to be 38 $\frac{1}{2}$ " above top of Platform.
4. Attach Plastic Panel to Platform using (4)  $\frac{3}{8}$ "x1 $\frac{1}{4}$ " Buttonhead Bolts, (4)  $\frac{3}{8}$ " Flat Washers, (4)  $\frac{1}{2}$ " Flat Washers, and (4)  $\frac{3}{8}$ " T-Nuts. SEE DETAIL 'D'.



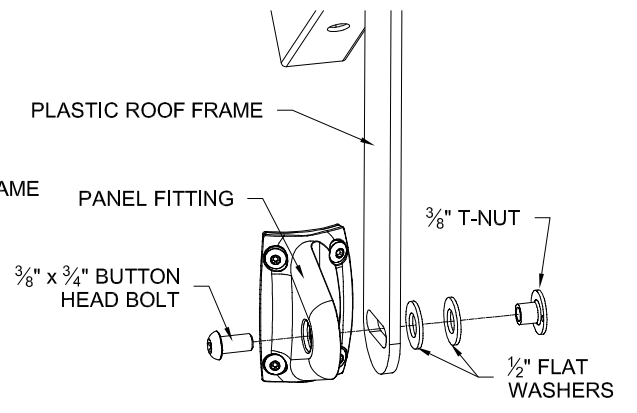
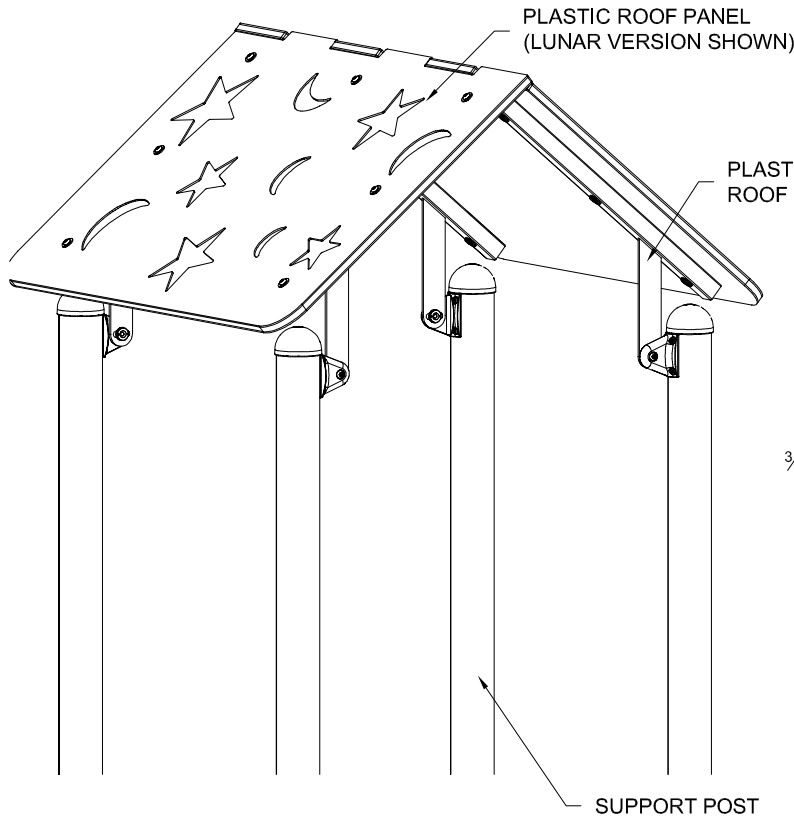
**DETAIL 'E'**



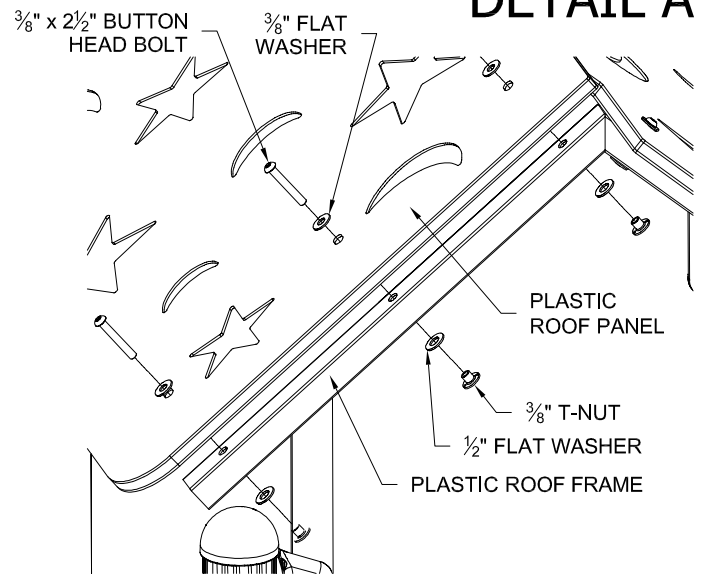
**DETAIL 'F'**



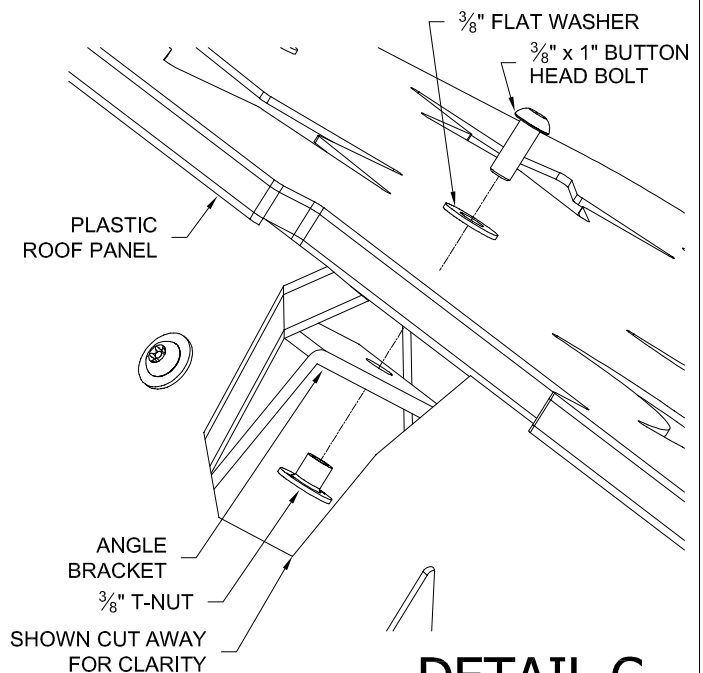
# IMP PLASTIC 3' x 3' ROOF



**DETAIL A**



**DETAIL B**

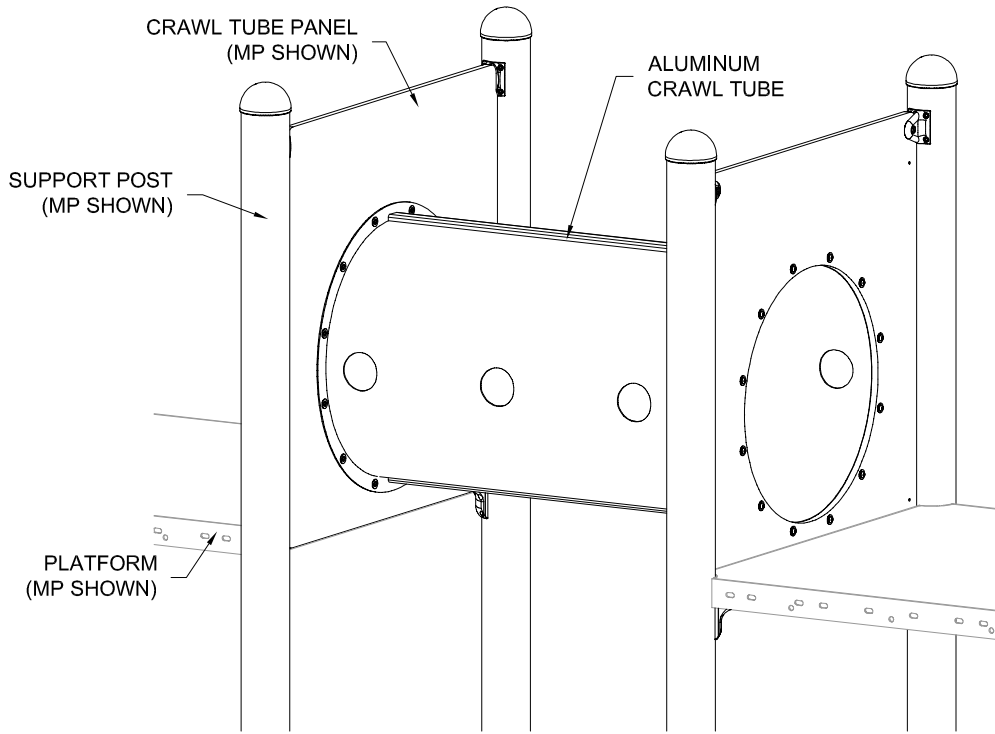


**DETAIL C**

**3' x 3' PLASTIC ROOF INSTRUCTION:**

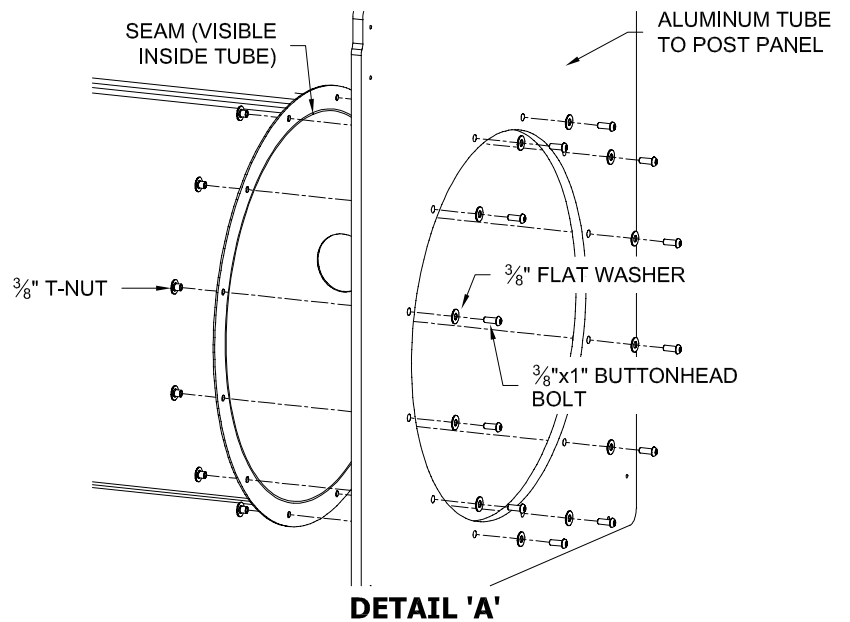
1. Loosely attach Panel Brackets to Plastic Roof Frames using (4)  $\frac{3}{8}$ " x  $\frac{3}{4}$ " Button Head Bolts, (8)  $\frac{1}{2}$ " Flat Washers, and (4)  $\frac{3}{8}$ " T-Nuts. SEE DETAIL A.
2. Attach Panel Brackets to Support Posts right under the post caps, ensuring that orientation of roof will match that shown on the PLAN LAYOUT. Install as per PANEL FITTING INSTRUCTION. NOTE: Position of Panel Bracket within slotted hole on Roof Frame may need to be adjusted to suit post spacing. When post spacing is correct, tighten all Panel Bracket to Roof Frame connections.
3. Attach Plastic Roof Panels to Plastic Roof Frames using (12)  $\frac{3}{8}$ " x  $2\frac{1}{2}$ " Button Head Bolts, (12)  $\frac{3}{8}$ " Flat Washers, (12)  $\frac{1}{2}$ " Flat Washers, and (12)  $\frac{3}{8}$ " T-Nuts. Roof Panels Interlock. SEE DETAIL B.
4. Field locate Angle Bracket on the underside of the Plastic Roof Panels, at the mid-point of the roof peak. Mark and drill (2)  $\frac{1}{2}$ " Holes, using the holes in the bracket as a guide. Attach Angle Bracket to Plastic Roof Panels using (2)  $\frac{3}{8}$ " x 1" Button Head Bolts, (2)  $\frac{3}{8}$ " Flat Washers, and (2)  $\frac{3}{8}$ " T-Nuts. SEE DETAIL C.

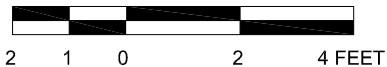
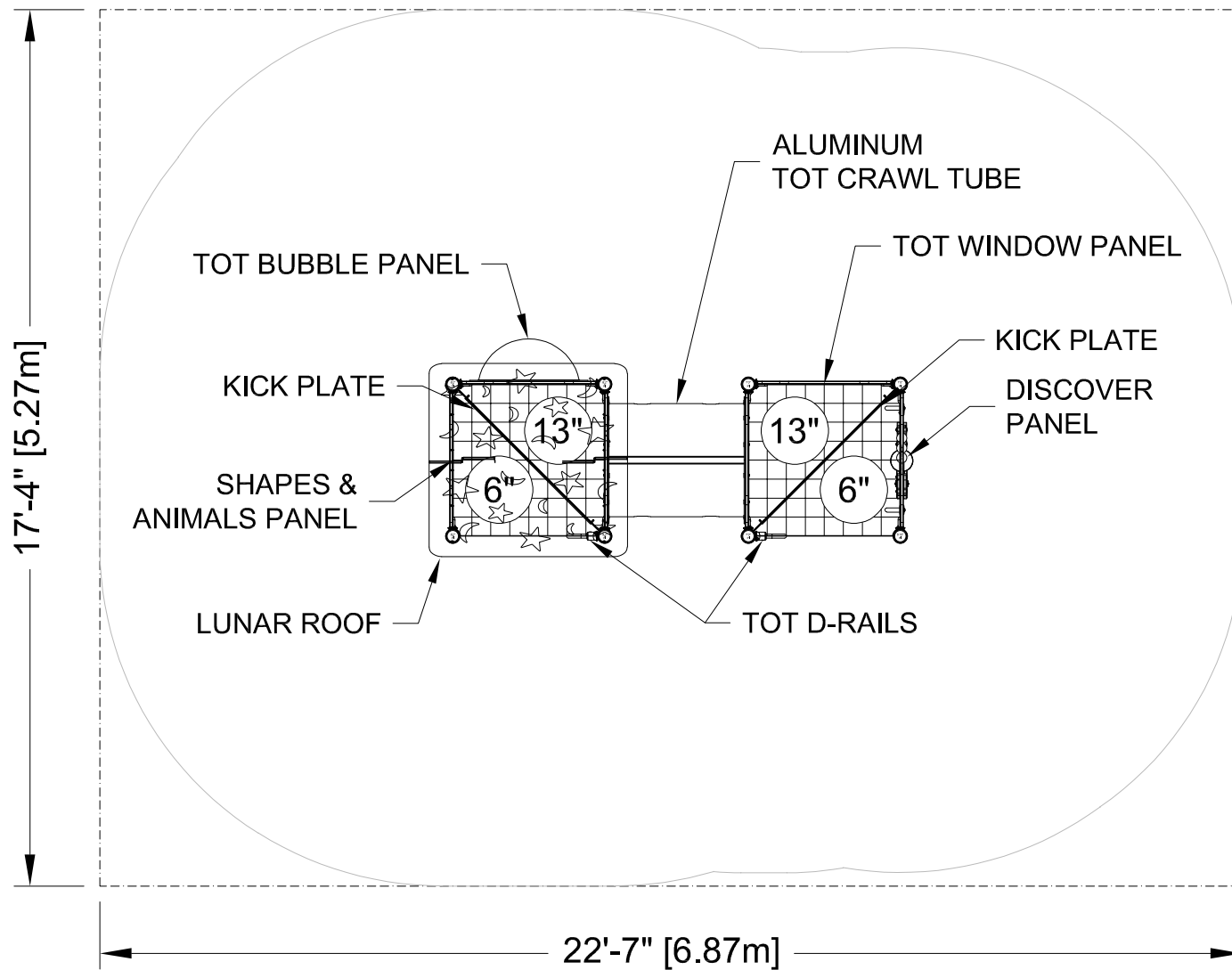
# IMP/MP ALUMINUM CRAWL TUBE



## **ALUMINUM CRAWL TUBE INSTALLATION INSTRUCTIONS:**

1. Attach Aluminum Crawl Tube Panels to Support Posts and Platforms as per PLASTIC PANEL INSTRUCTION.
2. Orient Aluminum Crawl Tube so that the visible seam on the inside is uppermost, and attach to Crawl Tube Panels using (24)  $\frac{3}{8}$ "x1" Buttonhead Bolts, (24)  $\frac{3}{8}$ " Flat Washers, and (24)  $\frac{3}{8}$ " T-Nuts. SEE DETAIL 'A'.





- CONFORMS TO THE ASTM F2373-11 (2017) STANDARD "PUBLIC USE PLAY EQUIPMENT FOR CHILDREN 6 MONTHS THROUGH 23 MONTHS"
- PERIMETER SHOWN REPRESENTS EXTENT OF REQUIRED SAFETY SURFACING. WIDTH OF BORDER MATERIAL MUST BE ADDED BEFORE EXCAVATION.

LAYOUT #: I05089-4  
 JOB #:  
 RECOMMENDED AGES: 6-23 months  
 PROTECTIVE SURFACING REQUIRED:  
 AREA: 391 (sq.ft) PERIMETER: 80 (ft)  
 DRAWN BY: TD DATE: 08-DEC-16

4	PLASTIC CRAWL TUBE TO ALUMINUM. REDUCE AREA.	EH	24-APR-23
3	UPDATE D-RAILS.	KH	12-DEC-22



724 - 14TH STREET S.W., MEDICINE HAT, AB. T1A 4V7  
 TOLL FREE: 1-800-661-1462 FAX: (403) 529-0851  
 E-MAIL: sales@blueimp.com WEBSITE: www.blueimp.com

DRAWINGS AND SPECIFICATIONS ARE PROPERTY OF S.F. SCOTT MANUFACTURING. THIS DRAWING MAY NOT BE REPRODUCED IN WHOLE OR IN PART WITHOUT THE PRIOR WRITTEN CONSENT OF THE ENGINEERING DEPARTMENT

APPENDIX 5



Play Strong.

Instruction Manual for Installation of:

Age Group:

## IMPORTANT PROTECTIVE SURFACING NOTES

- Numerous studies have shown that the majority of playground injuries are caused by falls.
- All play equipment with a fall height above the finished grade shall be located on a protective surface that extends around it to cover the protective surfacing zone.
- A minimum of 300mm (12") of safety base is recommended when loose materials are used.
- Refer to Annex D of CAN/CSA-Z614-20 for protective surfacing recommendations.
- **DO NOT ALLOW CHILDREN TO PLAY ON THE EQUIPMENT UNTIL THE PROTECTIVE SURFACING HAS BEEN INSTALLED!**

For more information, consult your CAN/CSA-Z614-20 "Children's Playground Equipment & Surfacing", Section 10, or contact your local Blue Imp Representative.

# AGE GROUP & WARNING LABELLING

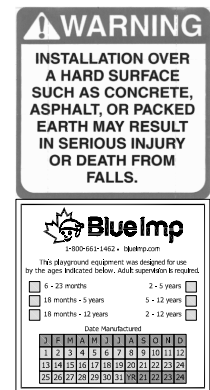
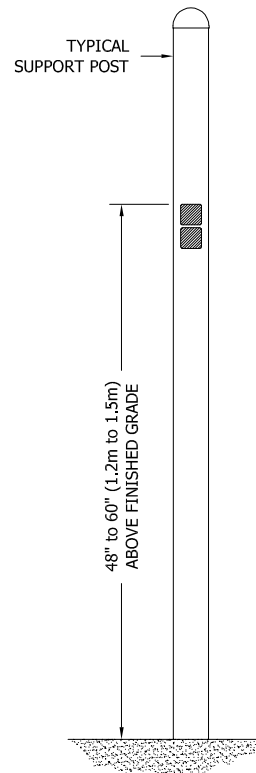
All play equipment and structures must have permanently attached labels for the following:

- Manufacturer's identification and contact number.
- Age groups for which the equipment has been designed.

## ADHESIVE LABEL APPLICATION INSTRUCTIONS:

Labels are contained within a small envelope included with your Instruction Package. Apply the Labels as follows:

- Refer to the Cover Page of each Installation Instruction to determine which Age Group labels are appropriate for that item. (*Note: for Swings containing only "Tot" or "Accessible" Seats, the Age Group will be 2-5. For Swings containing only "Belt" or "Soft Edge" Seats, the Age Group will be 5-12. For Swings containing both seat types, the Age Group will be 2-12.*)
- Age labels will have been marked with appropriate equipment age groups and date of manufacture at factory.
- Choose a location that is easily seen, near the main entrance to the structure, and at eye level where it will be noticed.
- Labels adhere best to painted surfaces - do not apply to plastic or vinyl-coated components.
- Make sure the surface is clean and dry before applying the label.
- Peel away backing sheet and place label in position.
- For larger, composite structures, apply labels in two or more locations.

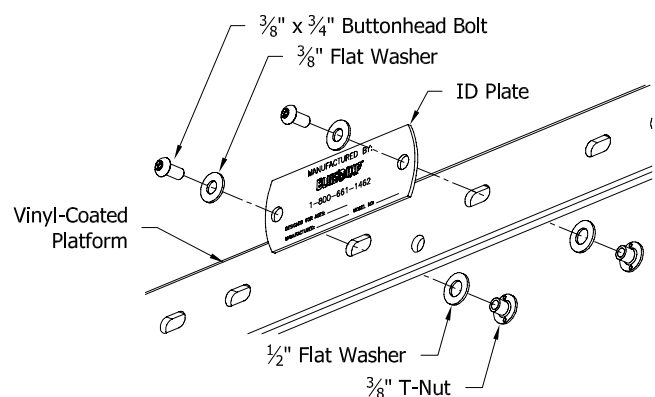


(example given of an unmarked age label)

## ID PLATE MOUNTING INSTRUCTIONS:

Some composite structures will be supplied with a metal ID Plate, enclosed within the envelope that contained these installation instructions.

- The ID Plate should be permanently attached to the face of a vinyl-coated platform on the composite structure, in a readily identifiable and visible location.
- Attach the ID Plate to the face of the platform using (2)  $\frac{3}{8}$ " x  $\frac{3}{4}$ " Buttonhead Bolts, (2)  $\frac{3}{8}$ " Flat Washers, (2)  $\frac{1}{2}$ " Flat Washers, and (2)  $\frac{3}{8}$ " T-Nuts.





Play Strong.

TOLL FREE: 1-800-661-1462 FAX: (403) 529-0851

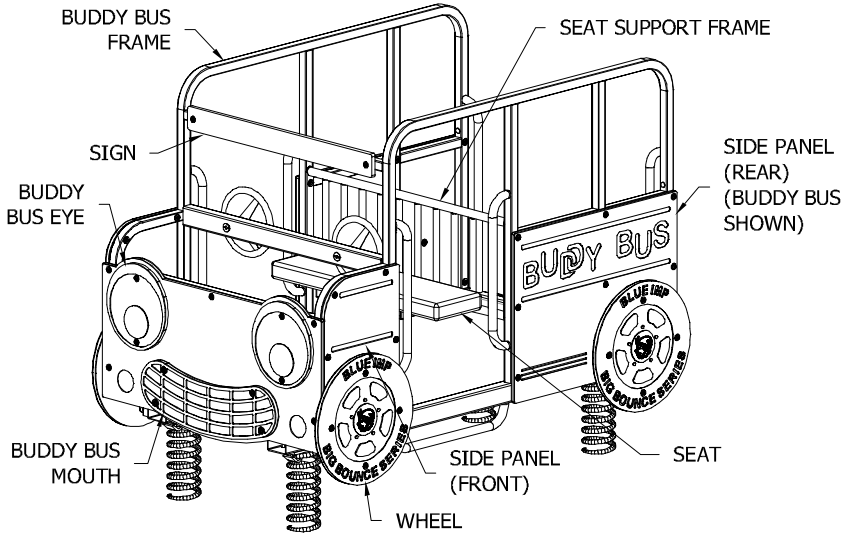
## GENERAL ASSEMBLY NOTES: CONCRETE PILE INSTALLATION

- 1) Read ALL instructions prior to assembly of equipment.
- 2) Drill all Pile Holes as per PILE LAYOUT, and remove tailings from site.  
*(Note: All Pile Hole depths are measured from Finished Grade. Subtract the depth of safety surfacing to determine depth of Pile Holes measured from Rough Grade).*
- 3) Place Support Posts into Pile Holes. Refer to POST ANCHORMENT instruction for blocking requirements. Ensure that the correct length of Post is placed into each Pile Hole, as indicated on the PLAN LAYOUT.  
*(Note: DO NOT POUR CONCRETE AT THIS STAGE).*
- 4) Attach Platforms to the Posts, at the heights shown on the PLAN LAYOUT, and using the procedure described in the PLATFORM INSTALLATION instruction.
- 5) Ensure that all posts are plumb and correctly levelled, and install all other components, using the procedures described in the installation instructions that follow. Install Safety Rungs and D-Rails last. *Note: Some component support legs may require shortening to fit into Pile Holes.*
- 6) Verify that Posts are plumb and level, and pour concrete into the Pile Holes, to between 2" and 4" below Rough Grade. Crown the top surface of the concrete to ensure positive drainage away from Posts and Support Legs, etc.
- 7) Complete all remaining site work - Safety Surfacing, Border Timbers, etc.

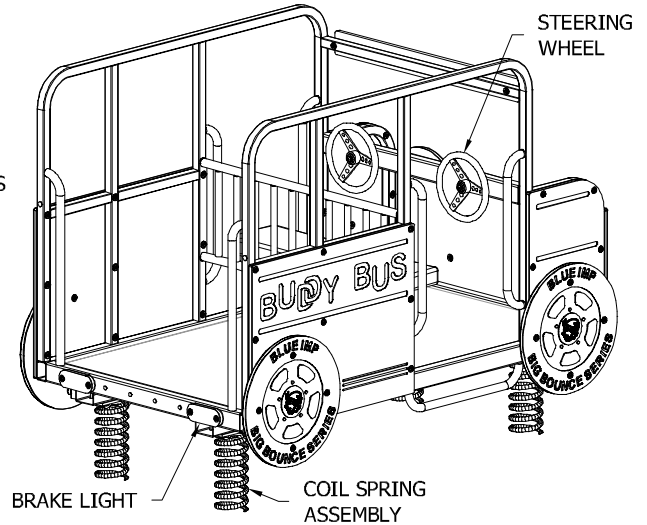


## CN443-00, CN-443-02 BUDDY BUS & SAFARI BUS (Page 1 of 4)

### FRONT VIEW

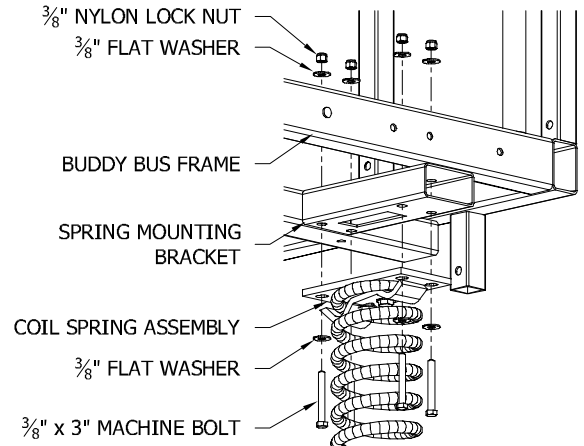


### REAR VIEW

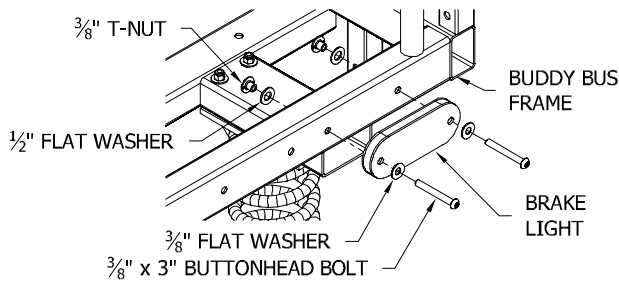


### CN-443-00 & CN-443-02 - BUDDY BUS & SAFARI BUS INSTALLATION INSTRUCTIONS:

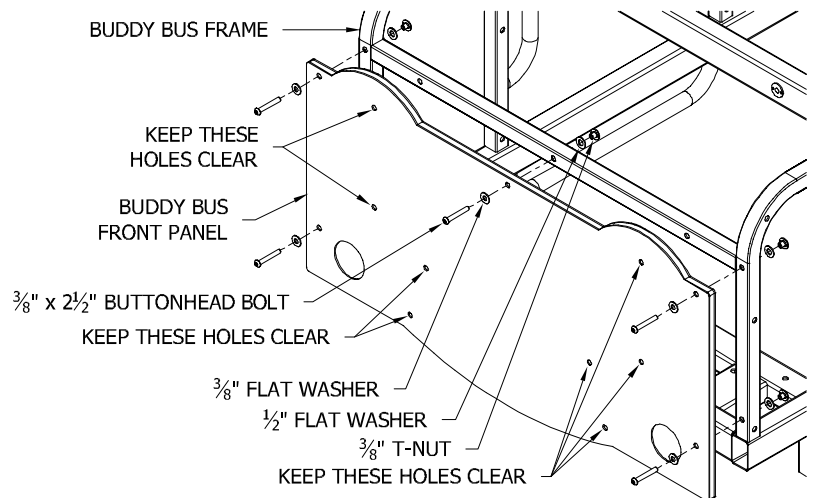
1. Attach (1) Coil Spring Assembly to each of the (4) Spring Mounting Brackets located on the underside of the Buddy Bus Frame, using (4)  $\frac{3}{8}$ " x 3" Machine Bolts, (8)  $\frac{3}{8}$ " Flat Washers, and (4)  $\frac{3}{8}$ " Nylon Lock Nuts per Coil Spring Assembly. SEE DETAIL 'A'.
2. Attach (2) Brake Lights ( $\frac{3}{4}$ " Plastic) to the outermost mounting holes on the rear of the Buddy Bus Frame, using (2)  $\frac{3}{8}$ " x 3" Buttonhead Bolts, (2)  $\frac{3}{8}$ " Flat Washers, (2)  $\frac{1}{2}$ " Flat Washers, and (2)  $\frac{3}{8}$ " T-Nuts per Brake Light. SEE DETAIL 'B'.
3. Attach the Buddy Bus Front Panel to the Buddy Bus Frame using (5)  $\frac{3}{8}$ " x 2 $\frac{1}{2}$ " Buttonhead Bolts, (5)  $\frac{3}{8}$ " Flat Washers, (5)  $\frac{1}{2}$ " Flat Washers, and (5)  $\frac{3}{8}$ " T-Nuts. Note: Some mounting holes must be kept clear at this stage, for later attachment of the Buddy Bus Mouth and Buddy Bus Eyes. SEE DETAIL 'C'.



**DETAIL 'A'**



**DETAIL 'B'**

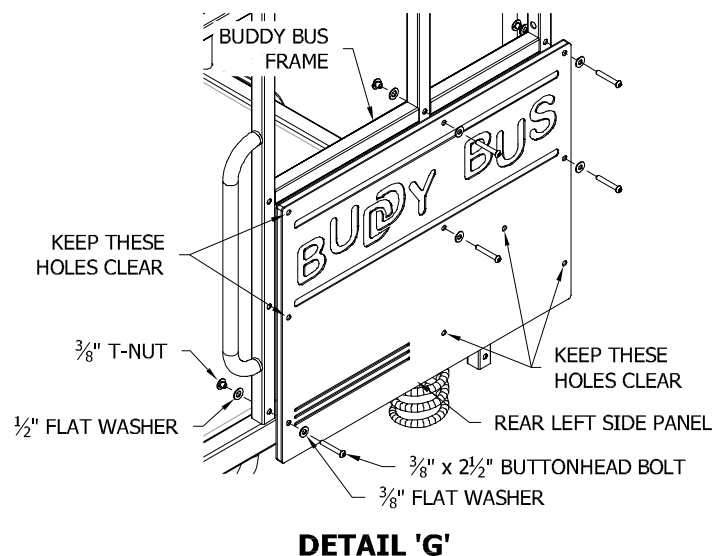
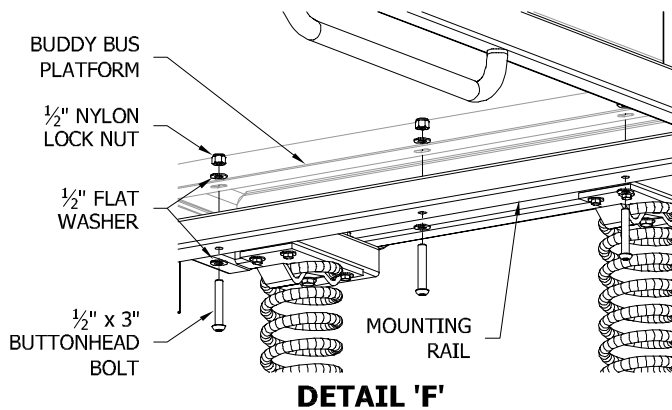
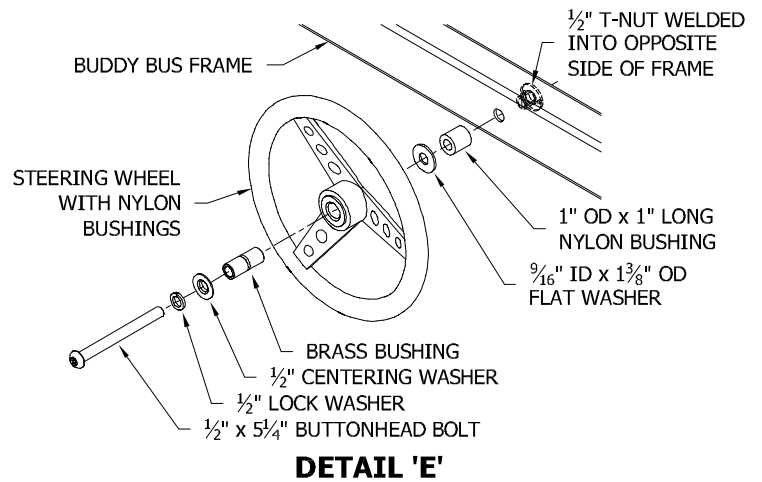
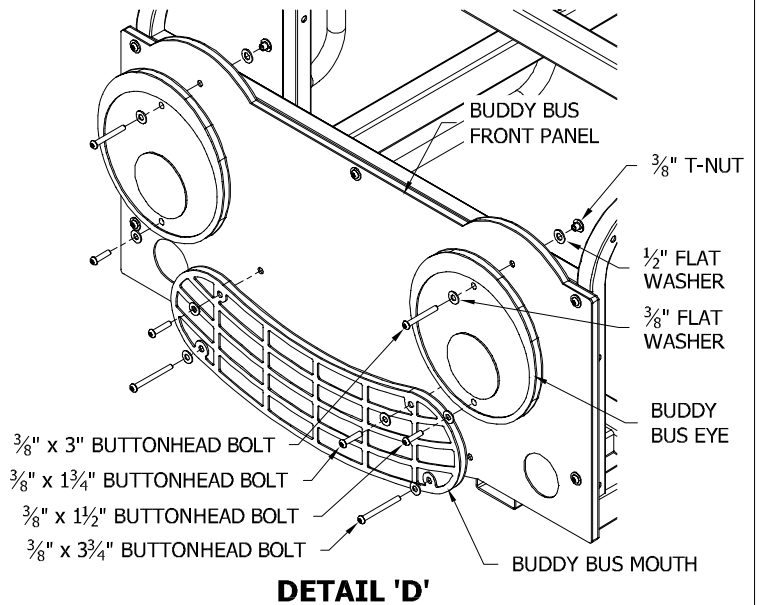


**DETAIL 'C'**

## CN443-00, CN-443-02 BUDDY BUS & VARIANTS (Page 2 of 4)

### CN-443-00 & CN-443-02 - BUDDY BUS & SAFARI BUS INSTALLATION INSTRUCTIONS (cont'd):

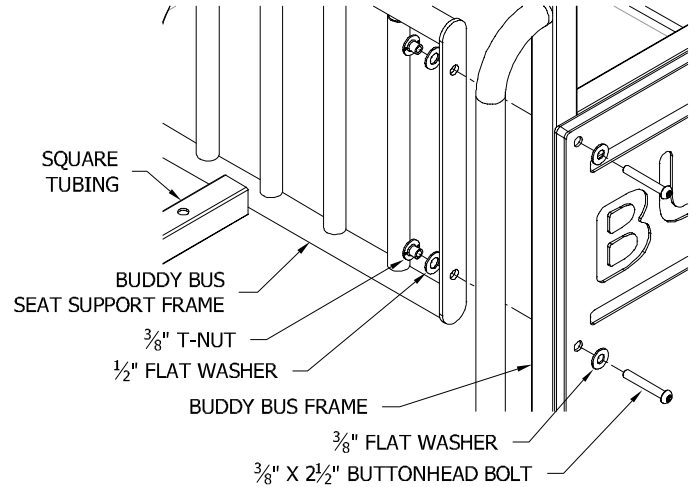
4. Attach the Buddy Bus Mouth to the Buddy Bus Front Panel. For the upper holes, use (2)  $\frac{3}{8}$ " x  $1\frac{3}{4}$ " Buttonhead Bolts, (2)  $\frac{3}{8}$ " Flat Washers, (2)  $\frac{1}{2}$ " Flat Washers, and (2)  $\frac{3}{8}$ " T-Nuts. For the lower holes, use (2)  $\frac{3}{8}$ " x  $3\frac{3}{4}$ " Buttonhead Bolts, (2)  $\frac{3}{8}$ " Flat Washers, (2)  $\frac{1}{2}$ " Flat Washers, and (2)  $\frac{3}{8}$ " T-Nuts. SEE DETAIL 'D'.
5. Attach the (2) Buddy Bus Eyes to the Buddy Bus Front Panel. For the upper holes, use (2)  $\frac{3}{8}$ " x 3" Buttonhead Bolts, (2)  $\frac{3}{8}$ " Flat Washers, (2)  $\frac{1}{2}$ " Flat Washers, and (2)  $\frac{3}{8}$ " T-Nuts. For the lower holes, use (2)  $\frac{3}{8}$ " x  $1\frac{1}{2}$ " Buttonhead Bolts, (2)  $\frac{3}{8}$ " Flat Washers, (2)  $\frac{1}{2}$ " Flat Washers, and (2)  $\frac{3}{8}$ " T-Nuts. SEE DETAIL 'D'.
6. Attach (2) Steering Wheels to the Buddy Bus Frame, using (1)  $\frac{1}{2}$ " x  $5\frac{1}{4}$ " Buttonhead Bolt, (1)  $\frac{1}{2}$ " Lock Washer, (1)  $\frac{1}{2}$ " Centering Washer, (1) Brass Bushing, (1)  $\frac{9}{16}$ " I.D. x  $1\frac{3}{8}$ " O.D. Flat Washer, and (1) 1" O.D. x 1" Long Nylon Bushing per Steering Wheel. Ensure that Bolt engages with T-Nut welded into opposite side of Buddy Bus Frame. SEE DETAIL 'E'. *Note: If more than two bolt threads are exposed beyond the T-Nut, use  $\frac{1}{2}$ " Flat Washers as spacers, positioned between the Frame and the 1" long Nylon Bushing.*
7. Attach the Buddy Bus Platform to the Mounting Rails on the underside of the Buddy Bus Frame, using (6)  $\frac{1}{2}$ " x 3" Buttonhead Bolts, (12)  $\frac{1}{2}$ " Flat Washers, and (6)  $\frac{1}{2}$ " Nylon Lock Nuts. SEE DETAIL 'F'.
8. Attach the Rear Left and Rear Right Side Panels to the Buddy Bus Frame, using (5)  $\frac{3}{8}$ " x  $2\frac{1}{2}$ " Buttonhead Bolts, (5)  $\frac{3}{8}$ " Flat Washers, (5)  $\frac{1}{2}$ " Flat Washers, and (5)  $\frac{3}{8}$ " T-Nuts per panel. Note: Some mounting holes must be kept clear at this stage, for later attachment of the Buddy Bus Seat Support and Buddy Bus Wheels. SEE DETAIL 'G'.



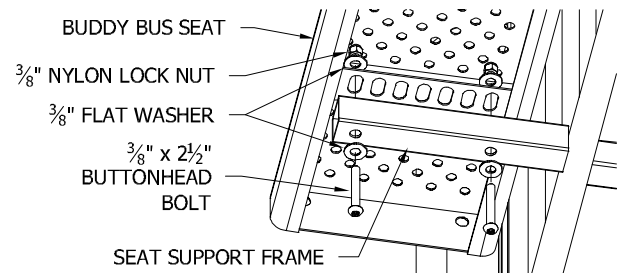
## CN443-00, CN-443-02 BUDDY BUS & VARIANTS (Page 3 of 4)

### CN-443-00 & CN-443-02 - BUDDY BUS & SAFARI BUS INSTALLATION INSTRUCTIONS (cont'd):

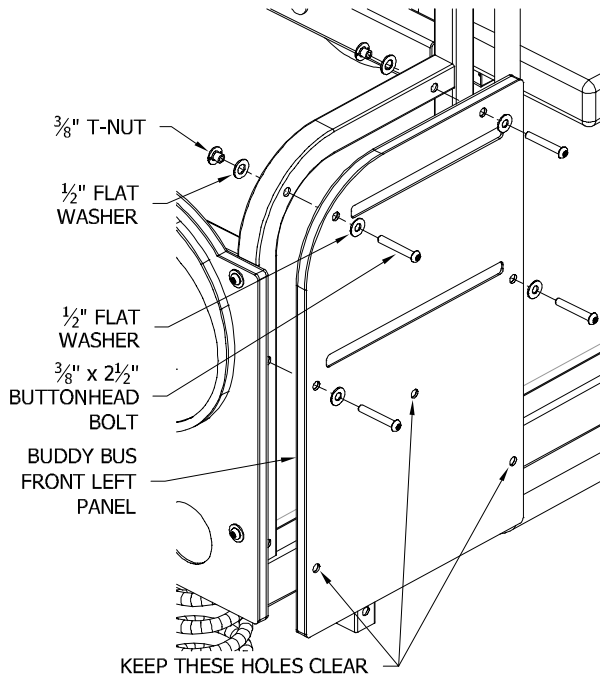
9. Attach the Buddy Bus Seat Support Frame to the Buddy Bus Frame, through the four front holes left clear in Step 8, using (4)  $\frac{3}{8}$ " x  $2\frac{1}{2}$ " Buttonhead Bolts, (4)  $\frac{3}{8}$ " Flat Washers, (4)  $\frac{1}{2}$ " Flat Washers, and (4)  $\frac{3}{8}$ " T-Nuts. Note: Ensure that the Square Tubing on the Seat Support Frame is lowermost, and points towards the front of the Buddy Bus. SEE DETAIL 'H'.
10. Attach the Vinyl-Coated Buddy Bus Seat to Buddy Bus Seat Support Frame, using (4)  $\frac{3}{8}$ " x  $2\frac{1}{2}$ " Buttonhead Bolts, (8)  $\frac{3}{8}$ " Flat Washers, and (4)  $\frac{3}{8}$ " T-Nuts. SEE DETAIL 'I'.
11. Attach the Buddy Bus Front Left and Front Right Panels to the Buddy Bus Frame, using (4)  $\frac{3}{8}$ " x  $2\frac{1}{2}$ " Buttonhead Bolts, (4)  $\frac{3}{8}$ " Flat Washers, (4)  $\frac{1}{2}$ " Flat Washers, and (4)  $\frac{3}{8}$ " T-Nuts per panel. Note: Some mounting holes must be kept clear at this stage, for later attachment of the Buddy Bus Wheels. SEE DETAIL 'J'.
12. Attach (4) Buddy Bus Wheels to Buddy Bus Frame, referring to DETAIL 'K' and using the following hardware for each wheel:
  - **Upper Mounting Hole:** (1)  $\frac{3}{8}$ " x  $1\frac{3}{4}$ " Buttonhead Bolt, (1)  $\frac{3}{8}$ " Flat Washer, (1)  $\frac{1}{2}$ " Flat Washer, and (1)  $\frac{3}{8}$ " T-Nut.
  - **Side Mounting Holes:** (2)  $\frac{3}{8}$ " x  $3\frac{1}{4}$ " Buttonhead Bolts, (2)  $\frac{3}{8}$ " Flat Washers, (2)  $\frac{1}{2}$ " Flat Washers, and (2)  $\frac{3}{8}$ " T-Nuts.
  - **Lower Mounting Hole:** (1)  $\frac{3}{8}$ " x  $3\frac{1}{4}$ " Buttonhead Bolt, (1)  $\frac{3}{8}$ " Flat Washer, (1) Buddy Bus Wheel Spacer, (1)  $\frac{1}{2}$ " Flat Washer, and (1)  $\frac{3}{8}$ " T-Nut.



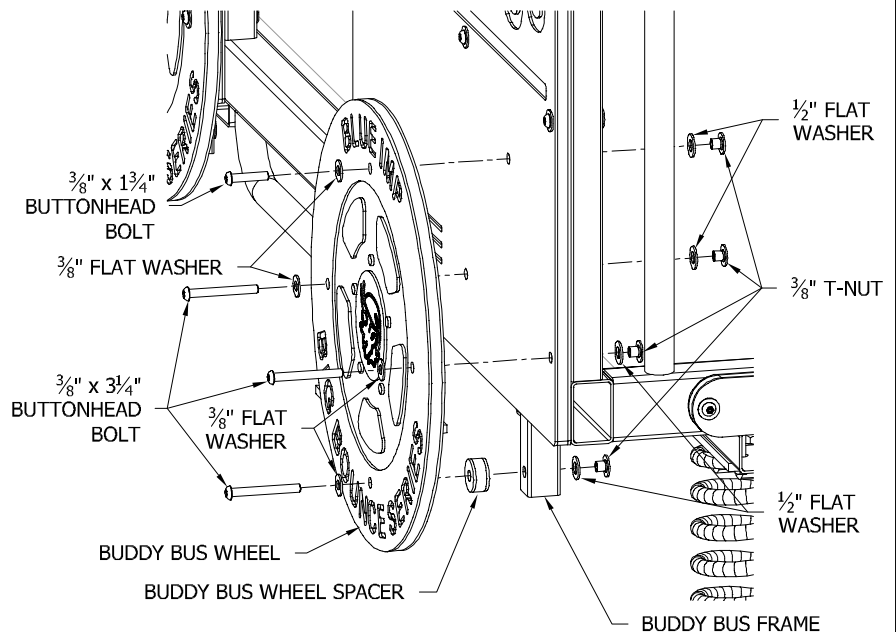
**DETAIL 'H'**



**DETAIL 'I'**



**DETAIL 'J'**

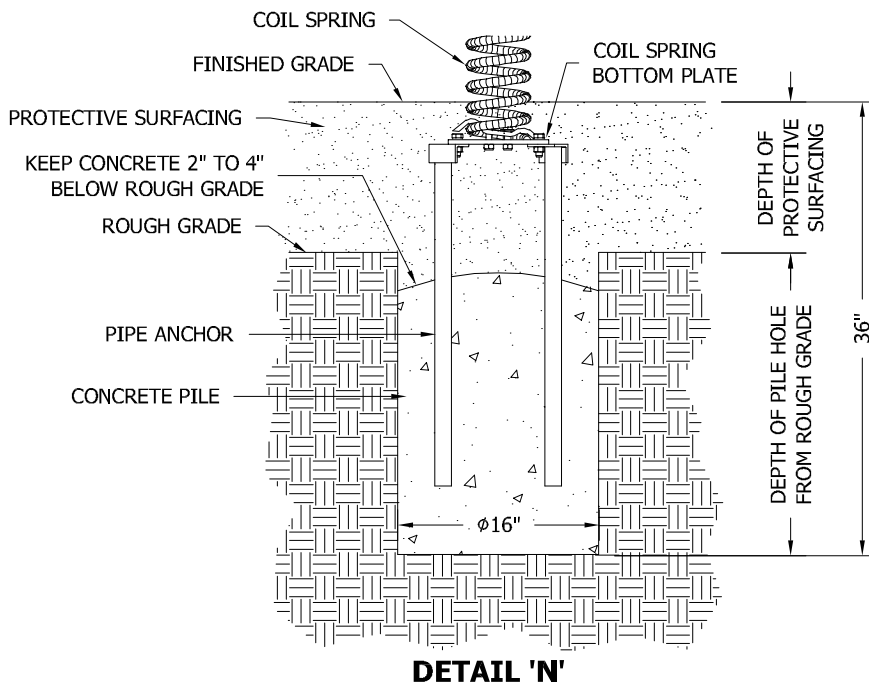
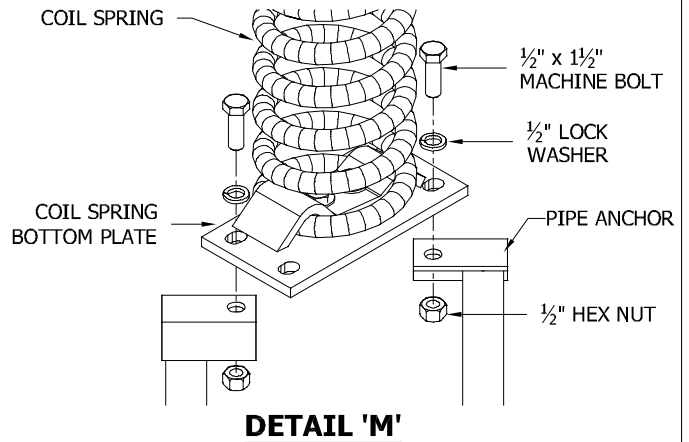
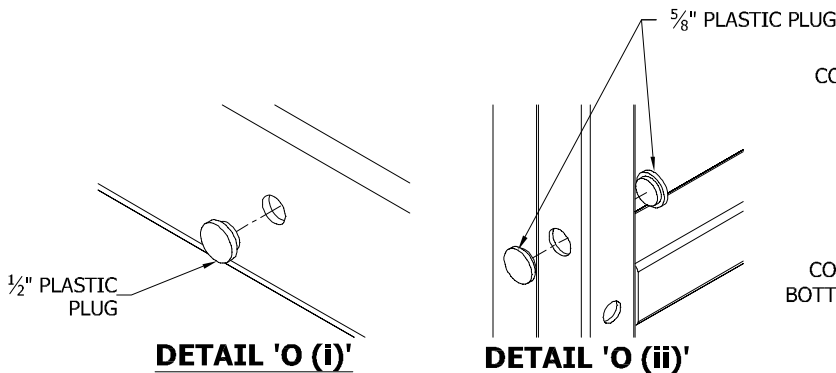
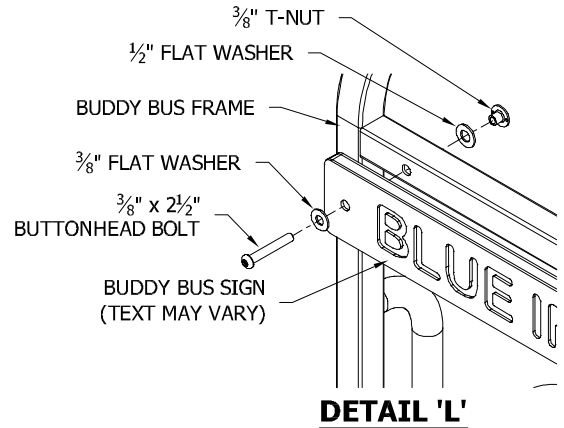


**DETAIL 'K'**

# CN443-00, CN-443-02 BUDDY BUS & VARIANTS (Page 4 of 4)

**CN-443-00 & CN-443-02 - BUDDY BUS & SAFARI BUS INSTALLATION  
INSTRUCTIONS (cont'd):**

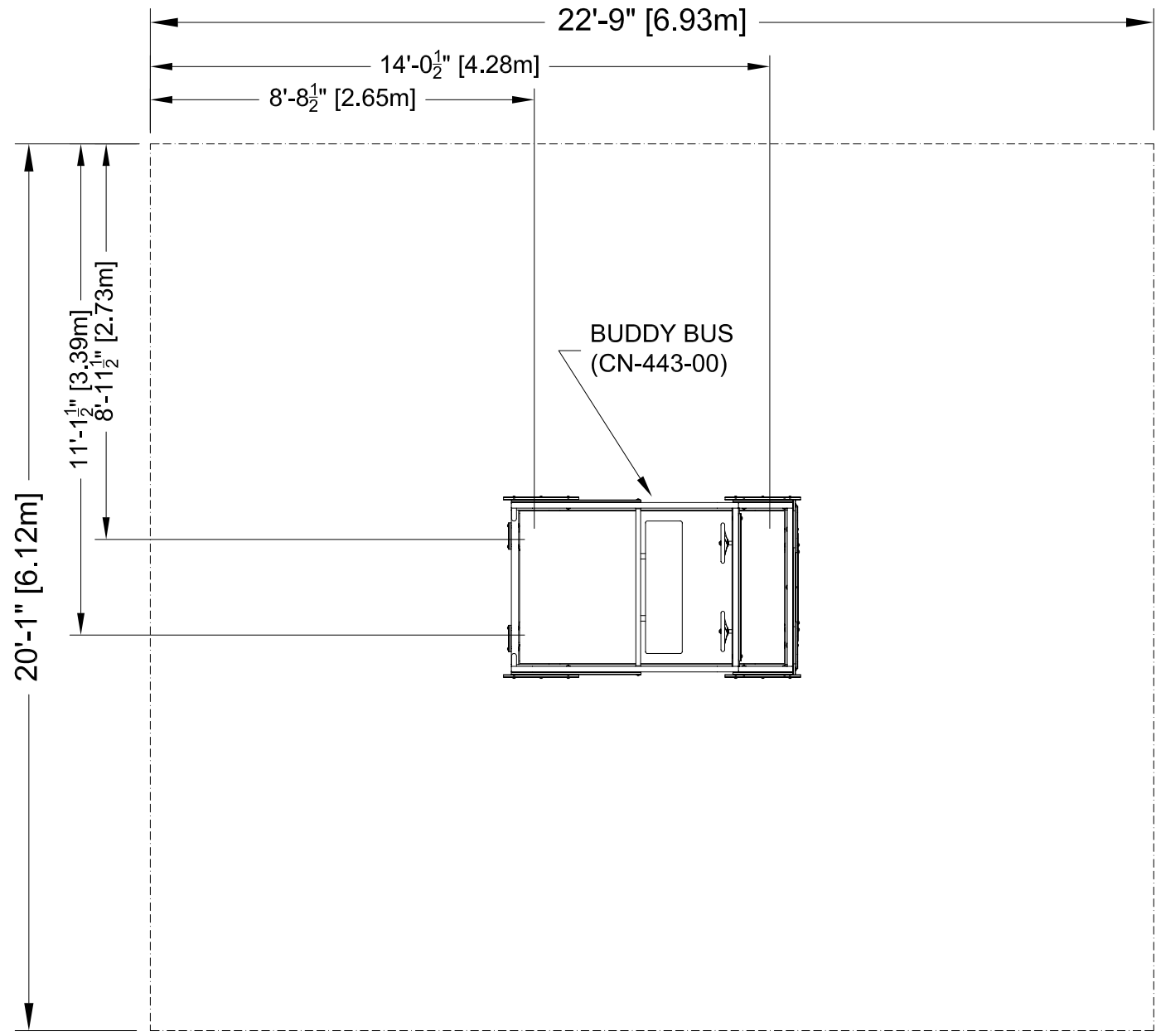
13. Attach Buddy Bus Sign to front of Buddy Bus Frame, using (2) 3/8" x 2 1/2" Buttonhead Bolt, (2) 3/8" Flat Washers, (2) 1/2" Flat Washers, and (2) 3/8" T-Nuts. SEE DETAIL 'L'.
14. Attach (2) Pipe Anchors to diagonally opposite corners of the bottom plate on each Coil Spring Assembly (four Coil Spring Assemblies total), using (1) 1/2" x 1 1/2" Machine Bolt, (1) 1/2" Lock Washer, and (1) 1/2" Hex Nut per Pipe Anchor. Turn the Pipe Anchors to space them apart, better distributing the component load. SEE DETAIL 'M'.
15. Position the assembled Accessible Buddy Bus into the associated Pile Holes (see PILE LAYOUT for size and location, and DETAIL 'N' for further details). Use blocking as required to ensure that the Buddy Bus Platform is positioned 18" above Finished Grade Level.
16. Use 4x 1/2" Plastic Plugs to seal the exposed holes in the rear "bumper", and 4x 5/8" Plastic Plugs to seal both sides of the holes in the rear of the frame (used for the eyebolts in the accessible version).



**IMPORTANT NOTE:**

The 36" pile hole depth shown is measured from Finished Grade, and includes the depth of protective surfacing. To determine the pile hole depth from rough grade, subtract the depth of protective surfacing from 36". E.g., for 12" of protective surfacing, the pile hole depth from rough grade will be 36" minus 12", which is 24".

DRAWINGS AND SPECIFICATIONS ARE PROPERTY OF S.F. SCOTT MANUFACTURING. THIS DRAWING MAY NOT BE REPRODUCED IN WHOLE OR IN PART WITHOUT THE PRIOR WRITTEN CONSENT OF THE ENGINEERING DEPARTMENT



PLAN

CONFORMS TO THE CAN/CSA-Z614-14 STANDARD  
"CHILDREN'S PLAYSPACES AND EQUIPMENT"

- \*\*\*IMPORTANT INSTALLATION NOTES\*\*\***
- THE DEPTH OF ALL PILE HOLES SHOWN IS MEASURED FROM FINISHED GRADE LEVEL, AND **INCLUDES** THE DEPTH OF SAFETY SURFACING.
  - REFER TO RELEVANT POST/LEG/CHAIN ANCHORMENT INSTRUCTION FOR FURTHER DETAILS.
  - CONCRETE TO BE MINIMUM 25MPa STRENGTH.
  - PILES HAVE BEEN DESIGNED FOR A MINIMUM SOIL BEARING CAPACITY OF 72kPa.

BUDDY BUS

LAYOUT #: CN-443-00  
JOB #:

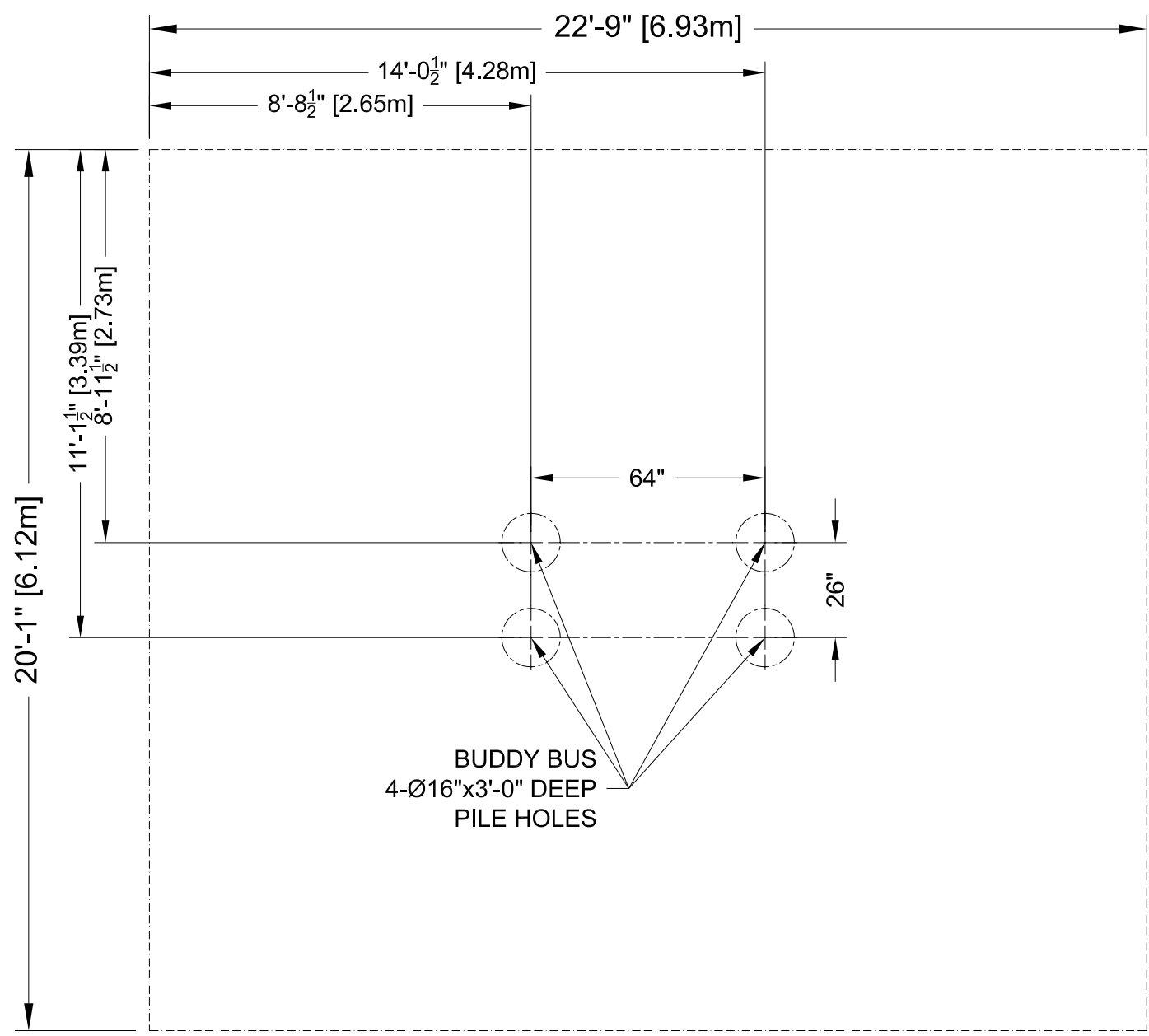
RECOMMENDED AGES: 2-12  
AREA REQ'D (SQ.FT): 456  
PERIMETER REQ'D (FT): 86  
DRAWN BY: SM  
DATE: 10-MAR-15

1	REVISED BLOCK	SM	5-AUG-15
---	---------------	----	----------



766 - 14TH STREET S.W., MEDICINE HAT, AB. T1A 4V7  
TOLL FREE: 1-800-661-1462 FAX: (403) 529-0851  
E-MAIL: sales@blueimp.com WEBSITE: www.blueimp.com

DRAWINGS AND SPECIFICATIONS ARE PROPERTY OF S.F. SCOTT MANUFACTURING. THIS DRAWING MAY NOT BE REPRODUCED IN WHOLE OR IN PART WITHOUT THE PRIOR WRITTEN CONSENT OF THE ENGINEERING DEPARTMENT



BUDDY BUS  
4-Ø16"x3'-0" DEEP  
PILE HOLES



PILE

CONFORMS TO THE CAN/CSA-Z614-14 STANDARD  
"CHILDREN'S PLAYSPACES AND EQUIPMENT"

**\*\*\*IMPORTANT INSTALLATION NOTES\*\*\***

- THE DEPTH OF ALL PILE HOLES SHOWN IS MEASURED FROM FINISHED GRADE LEVEL, AND **INCLUDES** THE DEPTH OF SAFETY SURFACING.
- REFER TO RELEVANT POST/LEG/CHAIN ANCHORMENT INSTRUCTION FOR FURTHER DETAILS.
- CONCRETE TO BE MINIMUM 25MPa STRENGTH.
- PILES HAVE BEEN DESIGNED FOR A MINIMUM SOIL BEARING CAPACITY OF 72kPa.

BUDDY BUS

LAYOUT #: CN-443-00  
JOB #:

RECOMMENDED AGES: 2-12  
AREA REQ'D (SQ.FT): 456  
PERIMETER REQ'D (FT): 86  
DRAWN BY: SM  
DATE: 10-MAR-15

1 REVISED BLOCK SM 5-AUG-15



766 - 14TH STREET S.W., MEDICINE HAT, AB. T1A 4V7  
TOLL FREE: 1-800-661-1462 FAX: (403) 529-0851  
E-MAIL: sales@blueimp.com WEBSITE: www.blueimp.com

## APPENDIX 6



Play Strong.

Instruction Manual for Installation of:

Age Group:



## IMPORTANT PROTECTIVE SURFACING NOTES

- Numerous studies have shown that the majority of playground injuries are caused by falls.
- All play equipment with a fall height above the finished grade shall be located on a protective surface that extends around it to cover the protective surfacing zone.
- A minimum of 300mm (12") of safety base is recommended when loose materials are used.
- Refer to Annex D of CAN/CSA-Z614-20 for protective surfacing recommendations.
- **DO NOT ALLOW CHILDREN TO PLAY ON THE EQUIPMENT UNTIL THE PROTECTIVE SURFACING HAS BEEN INSTALLED!**

For more information, consult your CAN/CSA-Z614-20 "Children's Playground Equipment & Surfacing", Section 10, or contact your local Blue Imp Representative.

# AGE GROUP & WARNING LABELLING

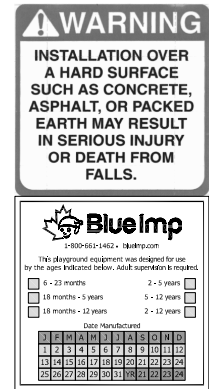
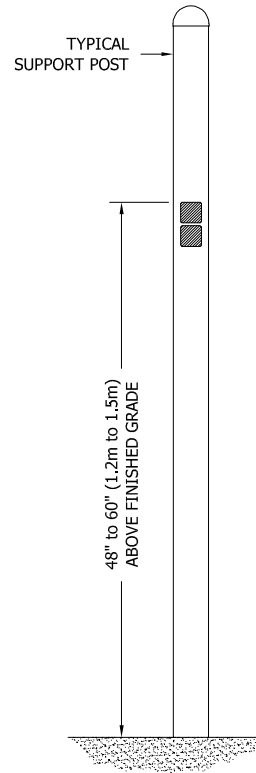
All play equipment and structures must have permanently attached labels for the following:

- Manufacturer's identification and contact number.
- Age groups for which the equipment has been designed.

## ADHESIVE LABEL APPLICATION INSTRUCTIONS:

Labels are contained within a small envelope included with your Instruction Package. Apply the Labels as follows:

- Refer to the Cover Page of each Installation Instruction to determine which Age Group labels are appropriate for that item. *(Note: for Swings containing only "Tot" or "Accessible" Seats, the Age Group will be 2-5. For Swings containing only "Belt" or "Soft Edge" Seats, the Age Group will be 5-12. For Swings containing both seat types, the Age Group will be 2-12).*
- Age labels will have been marked with appropriate equipment age groups and date of manufacture at factory.
- Choose a location that is easily seen, near the main entrance to the structure, and at eye level where it will be noticed.
- Labels adhere best to painted surfaces - do not apply to plastic or vinyl-coated components.
- Make sure the surface is clean and dry before applying the label.
- Peel away backing sheet and place label in position.
- For larger, composite structures, apply labels in two or more locations.

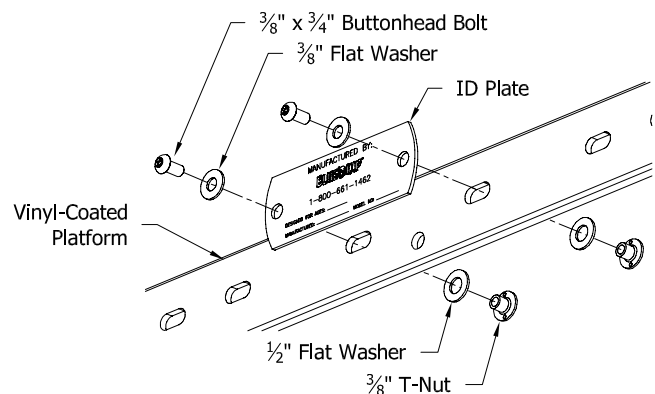


(example given of an unmarked age label)

## ID PLATE MOUNTING INSTRUCTIONS:

Some composite structures will be supplied with a metal ID Plate, enclosed within the envelope that contained these installation instructions.

- The ID Plate should be permanently attached to the face of a vinyl-coated platform on the composite structure, in a readily identifiable and visible location.
- Attach the ID Plate to the face of the platform using (2)  $\frac{3}{8}$ " x  $\frac{3}{4}$ " Buttonhead Bolts, (2)  $\frac{3}{8}$ " Flat Washers, (2)  $\frac{1}{2}$ " Flat Washers, and (2)  $\frac{3}{8}$ " T-Nuts.





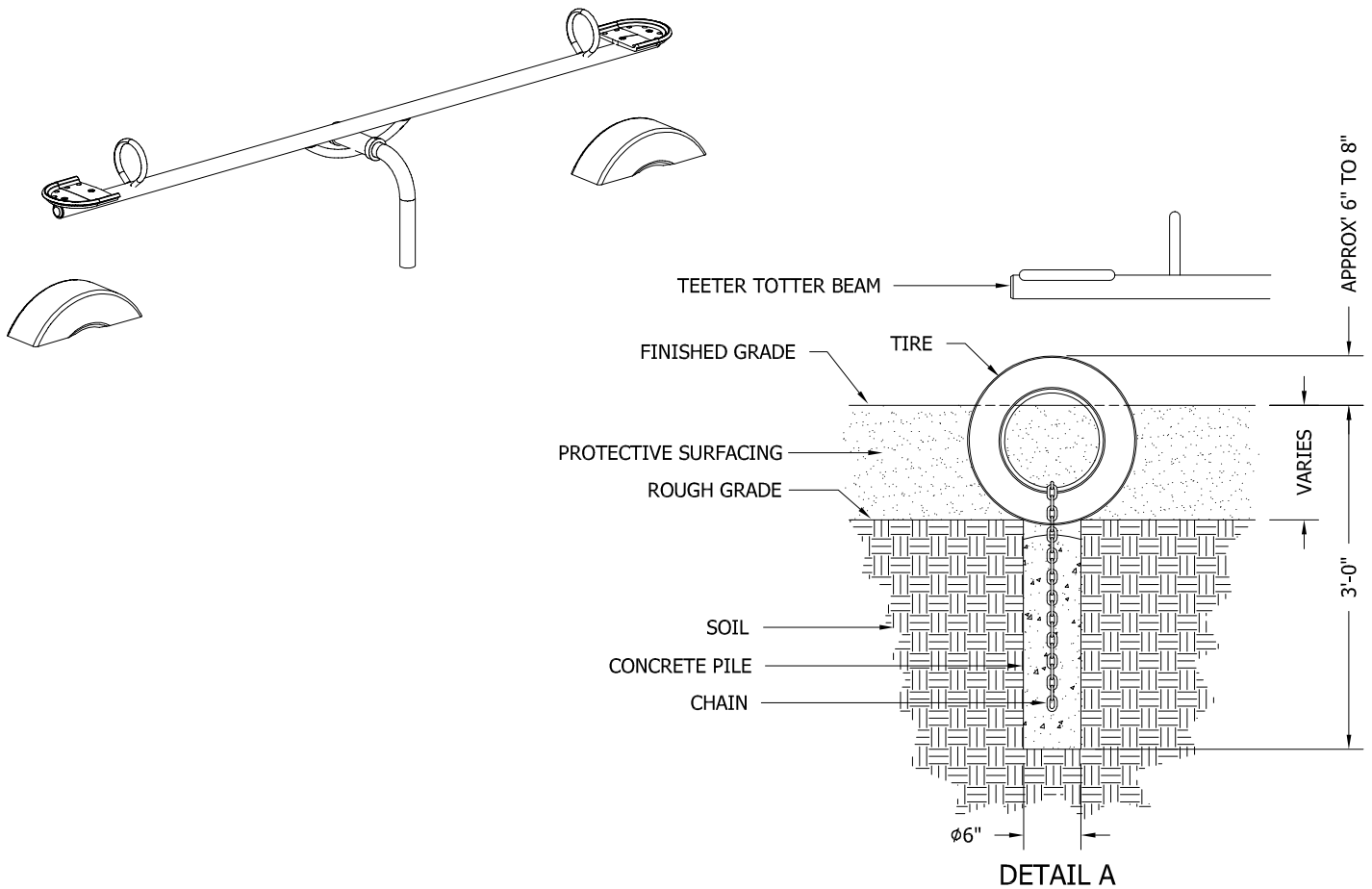
Play Strong.

TOLL FREE: 1-800-661-1462 FAX: (403) 529-0851

## GENERAL ASSEMBLY NOTES: CONCRETE PILE INSTALLATION

- 1) Read ALL instructions prior to assembly of equipment.
- 2) Drill all Pile Holes as per PILE LAYOUT, and remove tailings from site.  
*(Note: All Pile Hole depths are measured from Finished Grade. Subtract the depth of safety surfacing to determine depth of Pile Holes measured from Rough Grade).*
- 3) Place Support Posts into Pile Holes. Refer to POST ANCHORMENT instruction for blocking requirements. Ensure that the correct length of Post is placed into each Pile Hole, as indicated on the PLAN LAYOUT.  
*(Note: DO NOT POUR CONCRETE AT THIS STAGE).*
- 4) Attach Platforms to the Posts, at the heights shown on the PLAN LAYOUT, and using the procedure described in the PLATFORM INSTALLATION instruction.
- 5) Ensure that all posts are plumb and correctly levelled, and install all other components, using the procedures described in the installation instructions that follow. Install Safety Rungs and D-Rails last. *Note: Some component support legs may require shortening to fit into Pile Holes.*
- 6) Verify that Posts are plumb and level, and pour concrete into the Pile Holes, to between 2" and 4" below Rough Grade. Crown the top surface of the concrete to ensure positive drainage away from Posts and Support Legs, etc.
- 7) Complete all remaining site work - Safety Surfacing, Border Timbers, etc.

# CN-49 TEETER TOTTER

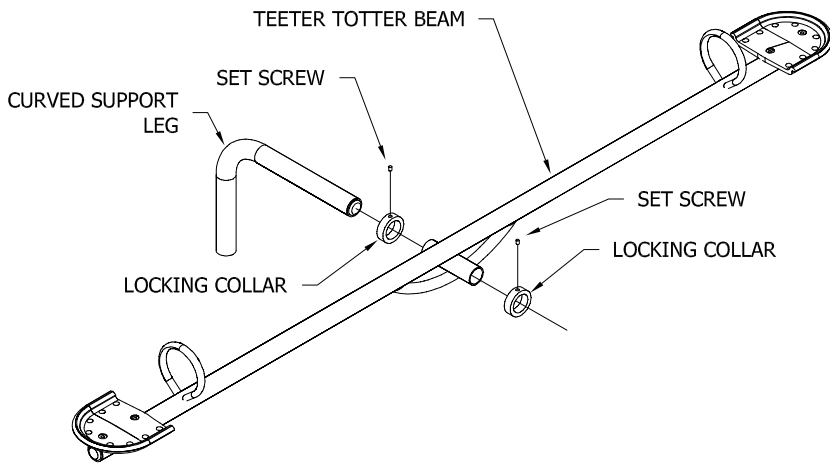


**DETAIL A**

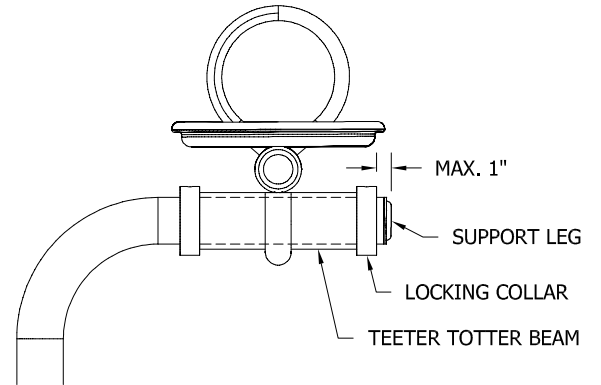
**INSTALLATION INSTRUCTIONS:**

1. Dig pile holes as shown on Pile Layout.  
Note: Additional excavation may be necessary to ensure that the amount of tire exposed above finished grade is approximately 6" to 8".
2. Pour concrete into the Ø6" pile holes only, keeping the top of the concrete 2" to 4" below the top of the pile hole, to prevent frost heave.
3. While the concrete is still wet, place a 6ft length of chain through each tire, so that approximately 3ft of chain hang down on each side of the tire, and then push both ends of the chain into the pile hole. See Detail A.
4. Ensure that each tire stands upright over the pile hole, and that there is minimal slack in the chain that emerges from the concrete.
5. Slide one Locking Collar onto the Curved Support Leg, followed by the Teeter Totter Beam, and the second Locking Collar. Ensure that the Teeter Totter Beam is centered on the horizontal portion of the Curved Support Leg. See Detail B. Ensure that end of Curved Support Leg does not extend beyond Locking Collar by more than 1" See Detail C. Tighten all Set Screws.
6. Insert (1) ½"x 5½" Machine Bolt through the hole in the bottom of the Teeter Totter Curved Support Leg, and secure the bolt in place with (1) ½" Hex Nut. Note: After Fully tightening the Hex Nut, the bolt may still be loose within the leg - this is normal, and movement of the bolt will not be a problem. SEE DETAIL D
7. Place assembled Teeter Totter into the Ø10" pile hole, and block up so that the support post is vertical and Teeter Totter Beam is 21" above finished grade. Pour concrete, keeping the top of the concrete 2" to 4" below the top of the pile hole. See Detail E.

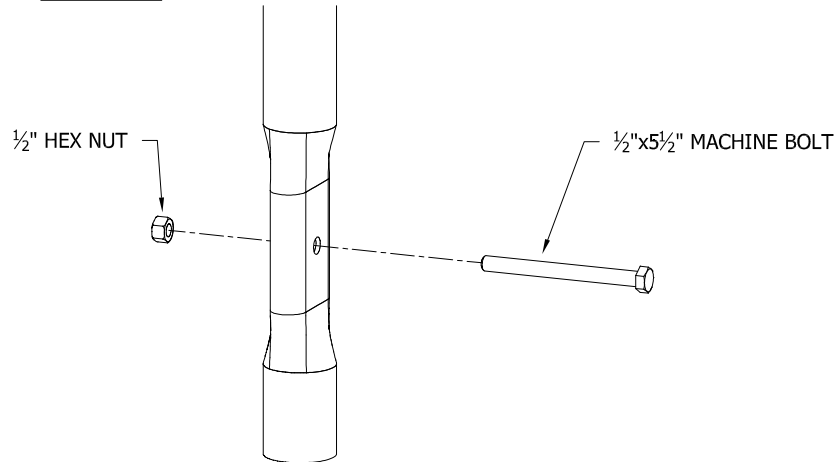
# CN-49 TEETER TOTTER (cont'd)



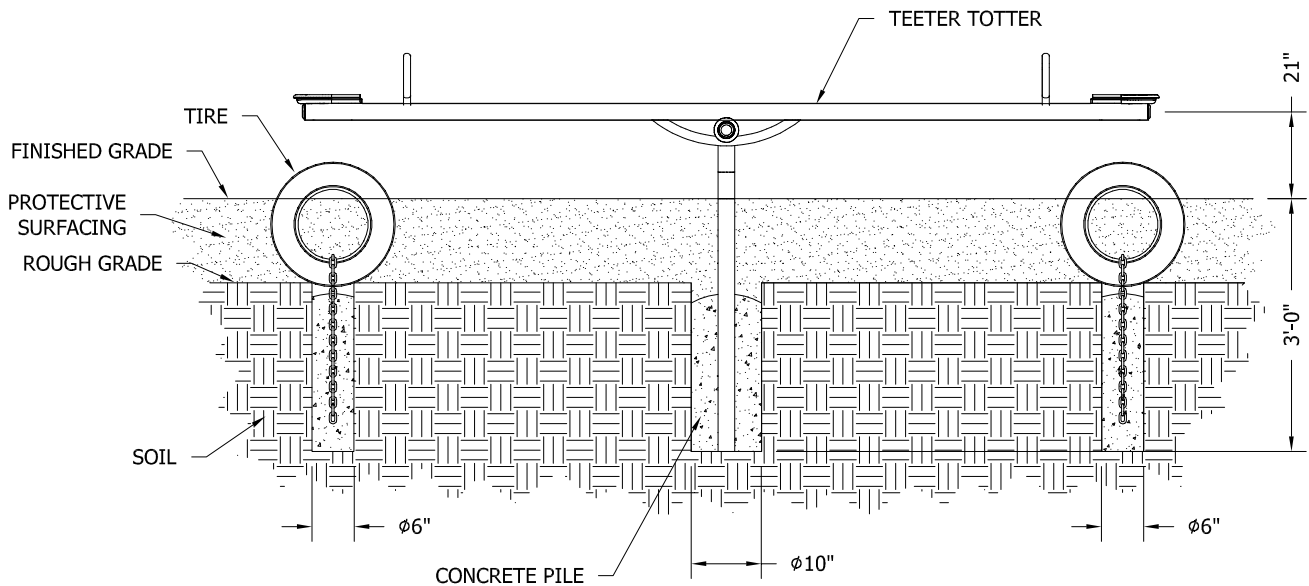
DETAIL B



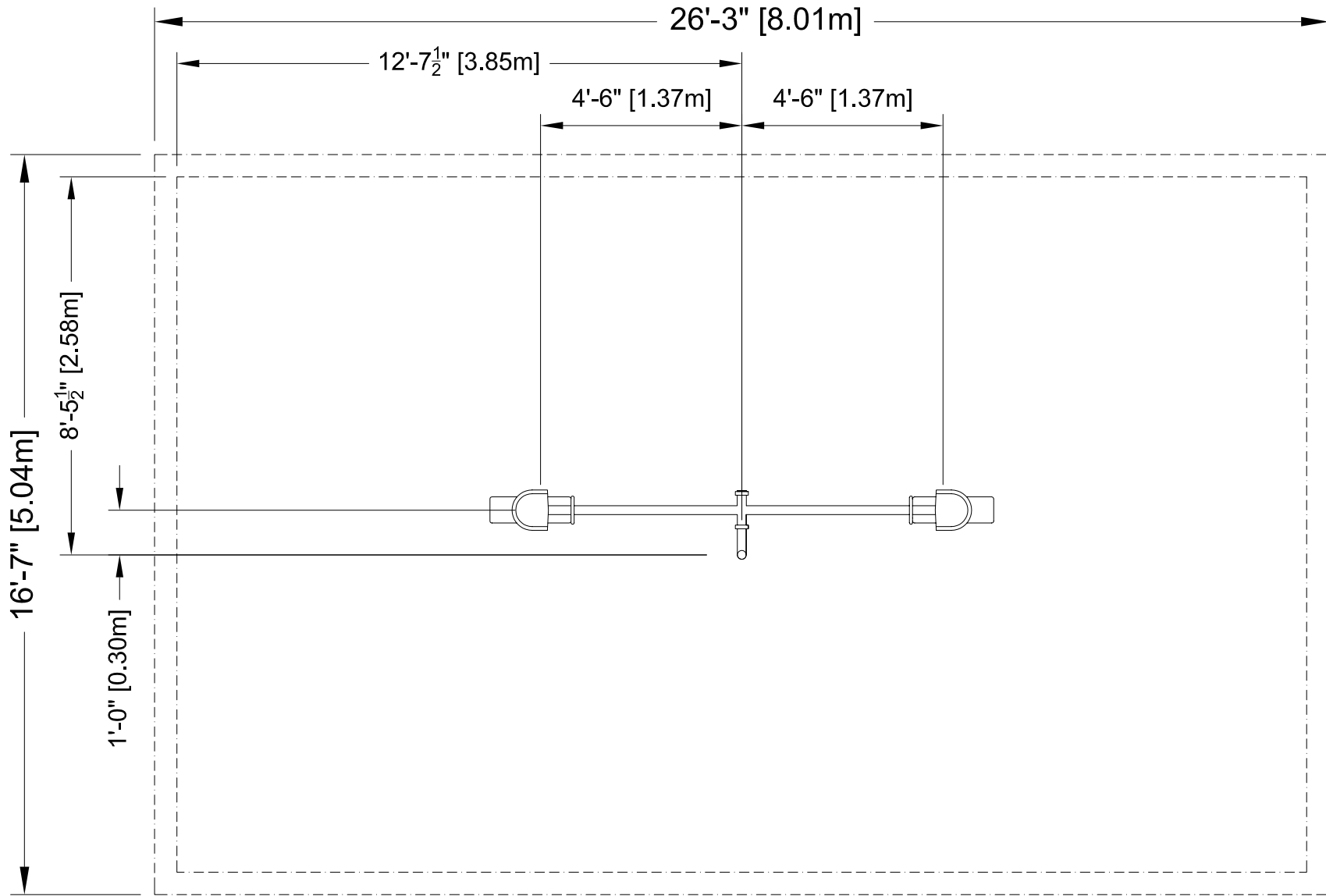
DETAIL C



DETAIL D



DETAIL E



2 1 0 2 4 FEET

CONFORMS TO THE CAN/CSA-Z614-07  
STANDARD "CHILDREN'S PLAYSCAPES  
AND EQUIPMENT"

DRAWINGS AND SPECIFICATIONS ARE  
PROPERTY OF S.F. SCOTT MANUFACTURING.  
THIS DRAWING MAY NOT BE REPRODUCED  
IN WHOLE OR IN PART WITHOUT THE  
PRIOR WRITTEN CONSENT OF  
THE ENGINEERING DEPARTMENT.

TEETER TOTTER

LAYOUT #: CN-49  
JOB #:

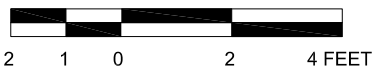
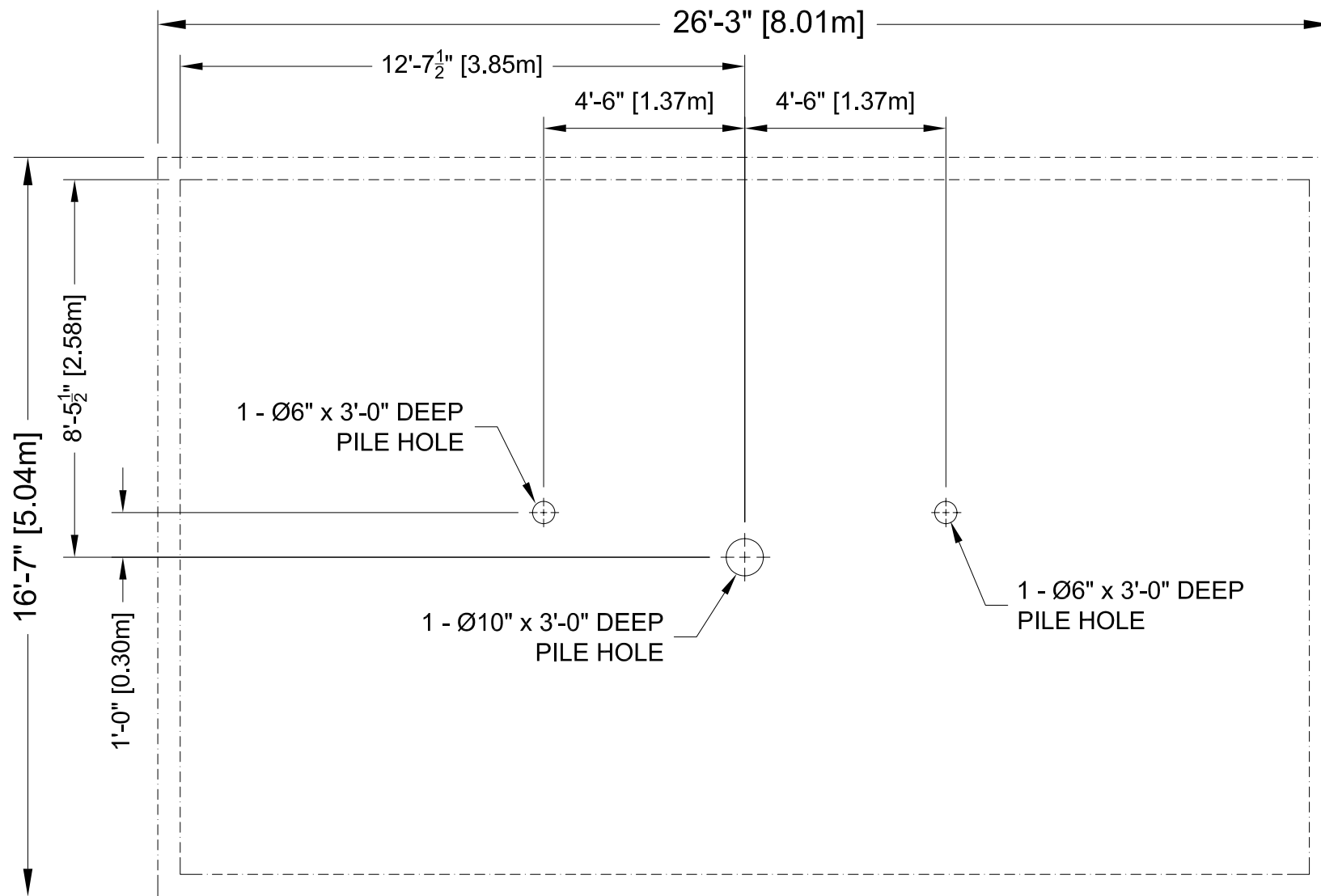
RECOMMENDED AGES: 5-12  
AREA REQ'D (SQ.FT): 393  
PERIMETER REQ'D (FT): 82  
DRAWN BY: JI  
DATE: 8-JUN-10

1 ADD PILE HOLES FOR TIRE CHAINS. EH 5-JUN-12



766 - 14TH STREET S.W.  
MEDICINE HAT, AB. T1A 4V7  
TOLL FREE: 1-800-661-1462  
FAX: (403) 529-0851  
E-MAIL: sales@blueimp.com WEBSITE: www.blueimp.com

PLAN



PILE

CONFORMS TO THE CAN/CSA-Z614-07  
STANDARD "CHILDREN'S PLAYSCAPES  
AND EQUIPMENT"

DRAWINGS AND SPECIFICATIONS ARE  
PROPERTY OF S.F. SCOTT MANUFACTURING.  
THIS DRAWING MAY NOT BE REPRODUCED  
IN WHOLE OR IN PART WITHOUT THE  
PRIOR WRITTEN CONSENT OF  
THE ENGINEERING DEPARTMENT.

TEETER TOTTER

LAYOUT #: CN-49  
JOB #:

RECOMMENDED AGES: 5-12  
AREA REQ'D (SQ.FT): 393  
PERIMETER REQ'D (FT): 82  
DRAWN BY: JI  
DATE: 8-JUN-10

1 ADD PILE HOLES FOR TIRE CHAINS. EH 5-JUN-12

**BLUEIMP™**

766 - 14TH STREET S.W.  
MEDICINE HAT, AB. T1A 4V7  
TOLL FREE: 1-800-661-1462  
FAX: (403) 529-0851  
E-MAIL: sales@blueimp.com WEBSITE: www.blueimp.com